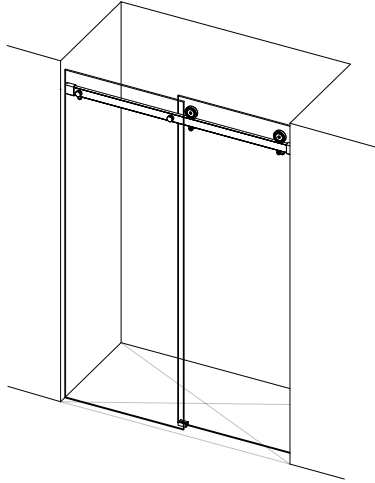


RORIK

SHOWER SYSTEM

ALCOVE

A completely customizable frameless glass sliding door shower system with adjustment features at wall, fixed panel, and door panel attachment points, configurable with up to ADA-compliant 36" clear openings.



ABOUT YOUR PROJECT:

Name:

Company:

Phone Number:

Email Address:

Job Name:

Job Address:

Shower location in the project:

QUOTE REQUEST



INSTALLATION OPENING WIDTH:

Feet:

Inches:

The Rorik sliding door shower system in the standard Alcove configuration supports up to 6' 8" openings. For wider openings, please note in the comments section

FINISH:

-  Brushed Stainless - 32D
KL-PAS1
-  Black Stainless
PAS3

The Rorik sliding door shower system is available in two premium finishes, Brushed Stainless and Black Stainless.

QUANTITY:

Qty:

Number of Rorik shower systems for the project.

ADD DOOR SEAL KIT:

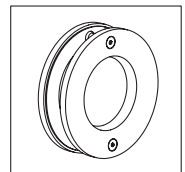
- YES NO

A kit of 3 self-adhesive seals for each side and bottom of shower door.

ADD DOOR PULL:

- YES NO

A low-profile, ergonomic double-sided pull in solid, machined stainless steel.



ADDITIONAL NOTES: