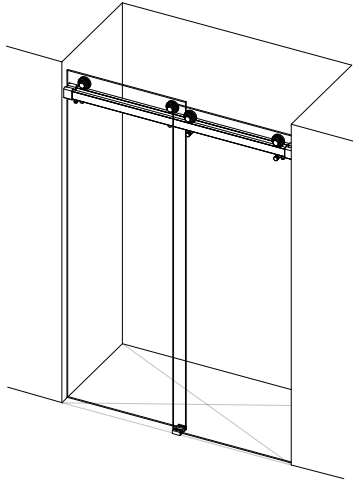


# RORIK

## SHOWER SYSTEM

### BYPASS

A completely customizable frameless glass sliding door shower system with adjustment features at wall and door panel attachment points, configurable with up to ADA-compliant 36" clear openings.



<b>ABOUT YOUR PROJECT:</b>
Name:
Company:
Phone Number:
Email Address:
Job Name:
Job Address:
Shower location in the project:

## QUOTE REQUEST



### INSTALLATION OPENING WIDTH:

Feet:

Inches:

The Rorik sliding door shower system in the standard Alcove configuration supports up to 6' 8" openings. For wider openings, please note in the comments section

### FINISH:

-  Brushed Stainless - 32D  
KL-PAS1
-  Black Stainless  
PAS3

The Rorik sliding door shower system is available in two premium finishes, Brushed Stainless and Black Stainless.

### QUANTITY:

Qty:

Number of Rorik shower systems for the project.

### ADD DOOR SEAL KIT(S):

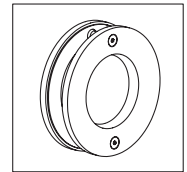
- YES  NO

A kit of 3 self-adhesive seals for each side and bottom of shower door.

### ADD DOOR PULL(S):

- YES  NO

A low-profile, ergonomic double-sided pull in solid, machined stainless steel.



### ADDITIONAL NOTES: