

DOCUMENT:	PRODUCT SPECIFICATIONS - STANDARD PRE-DRILLED TRACK PATTERNS
SYSTEM:	TRU-LEVEL™ TRACK
MOUNTING STYLE:	FRAMED WALL - STRUCTURAL BLOCKING

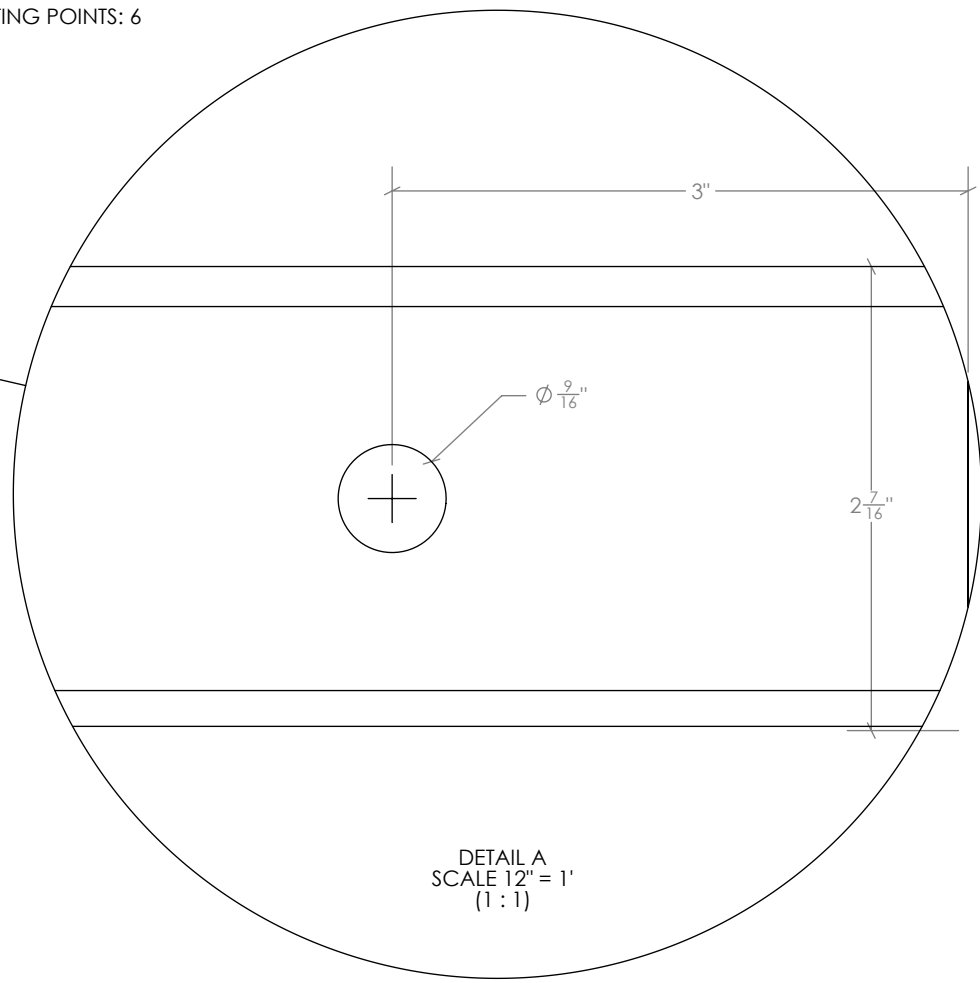
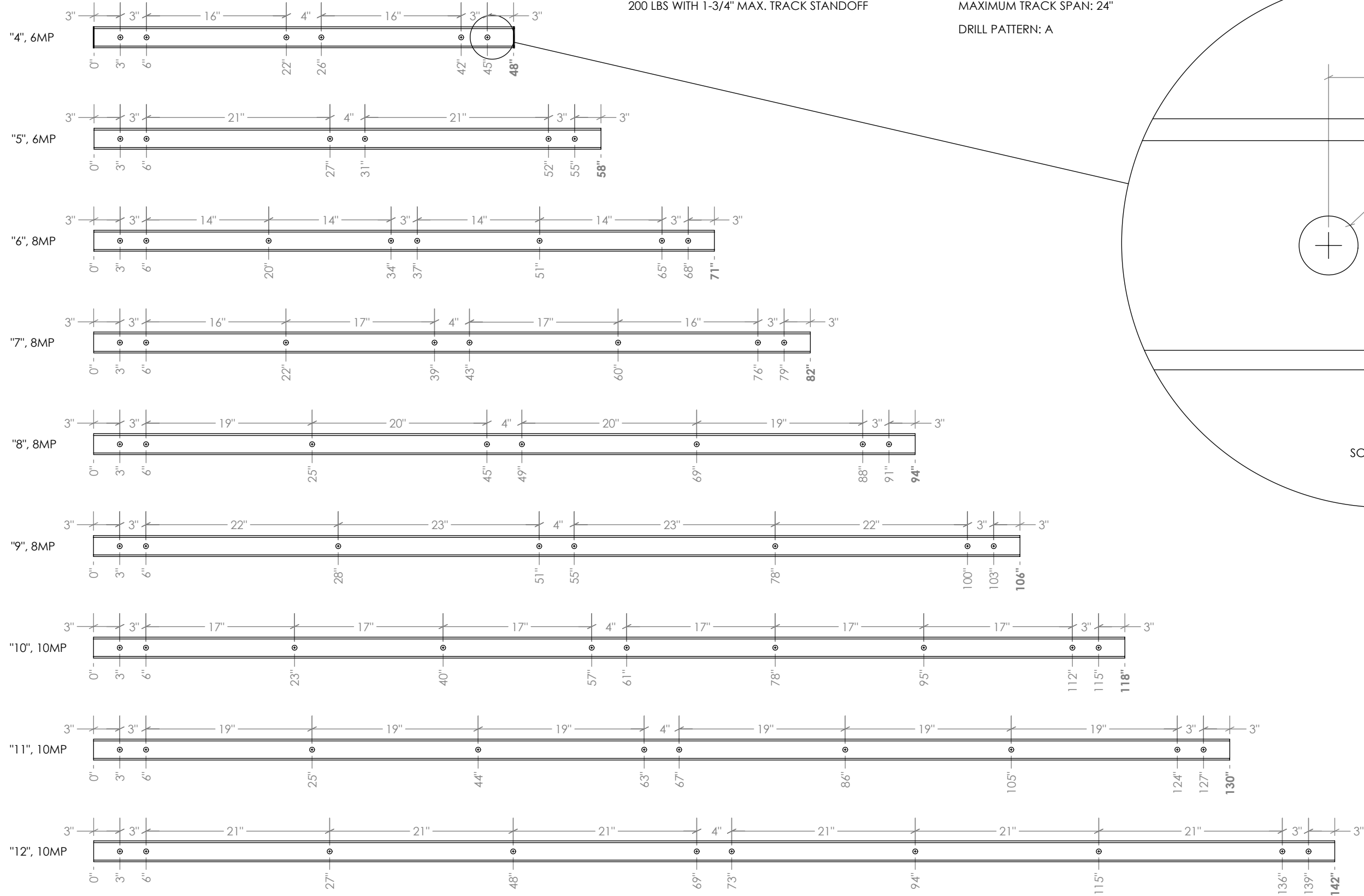
DOOR APPLICATION:	SINGLE & BI-PARTING
PANEL THICKNESS:	TROLLEY SYSTEM DEPENDENT
MAXIMUM WEIGHT:	UP TO 400 LBS. SEE BELOW

DRAWING SCALE:	1" = 1'-0" (1:12)
UNITS:	INCHES
DATE:	1/11/2024

KROWNLAB
 2351 NW York St.
 Portland, OR 97210
 +1 503 292 6998
 www.krownlab.com
 support@krownlab.com

400 LBS WITH 1" MAX. TRACK STANDOFF
 200 LBS WITH 1-3/4" MAX. TRACK STANDOFF

MINIMUM QUANTITY MOUNTING POINTS: 6
 MAXIMUM TRACK SPAN: 24"
 DRILL PATTERN: A



LONGEST TRACK LENGTH WITH 6 MOUNTING POINTS: 64"
 LONGEST TRACK LENGTH WITH 8 MOUNTING POINTS: 112"