



# AXEL

## FACE MOUNT

Our modern interpretation of the classic barn door hardware is now completely redesigned to have all the performance features and functions you've come to expect from us. Available this summer. Quoting now.

### FEATURES

- High precision bearings provide silky-smooth door travel.
- Easily set and readjust door travel on site, even after install.
- Accommodates wood, metal-clad, and composite doors.
- ADA compatible door pull force at full panel weight.
- Designed in Portland, OR. Proudly Made In The USA.
- 10 year commercial warranty.

### SPECIFICATIONS

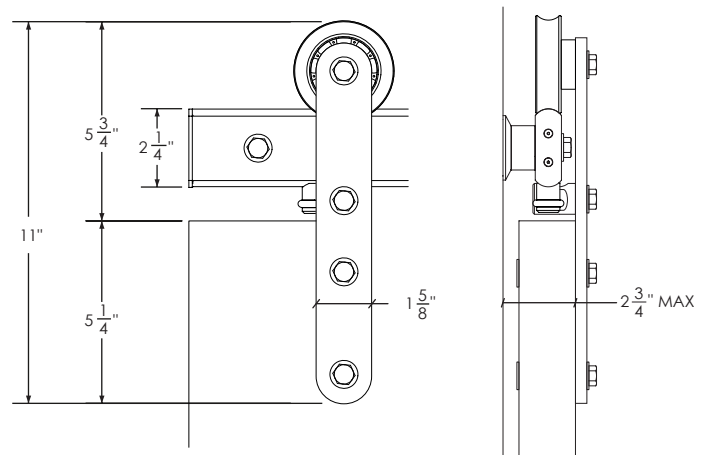
- Single track lengths available up to 12' (142").
- Easily cut and drill track on site with common tools.
- Multiple tracks can easily be joined together.
- Accommodates framed walls, concrete, and structural steel.
- Customize door travel on site.

### WHAT'S INCLUDED

- 1 x track system with all necessary mounting hardware.
  - 2 x door stops.
  - 2 x trolleys with all necessary door mounting hardware.
  - 1 x door bottom guide.
- Visit our website for all compatible options and add-ons.

### DETAILS

- For door panels 1-3/8" to 1-3/4" in thickness.
- Standard 200 lb door weight capacity. Contact us for heavier door panels.



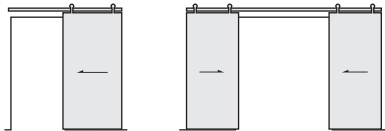
### QUICK LOOK

#### FINISH OPTIONS



Black Stainless

#### CONFIGURATIONS



Single

Bi-Part

#### WEIGHT CAPACITY

200 lb per panel. Contact us for heavier door panels.

#### DOOR PANEL COMPATIBILITY

Wood, metal-clad, and composite door panels.

#### MORE INFORMATION

For more information visit: [www.krownlab.com/axel](http://www.krownlab.com/axel)

### ORDERING AND PRICING

For inquiries or to place orders, please contact: [support@krownlab.com](mailto:support@krownlab.com), or call +1 503 292 6998. Trade discounts and volume pricing available.