

WALL TYPE GUIDE

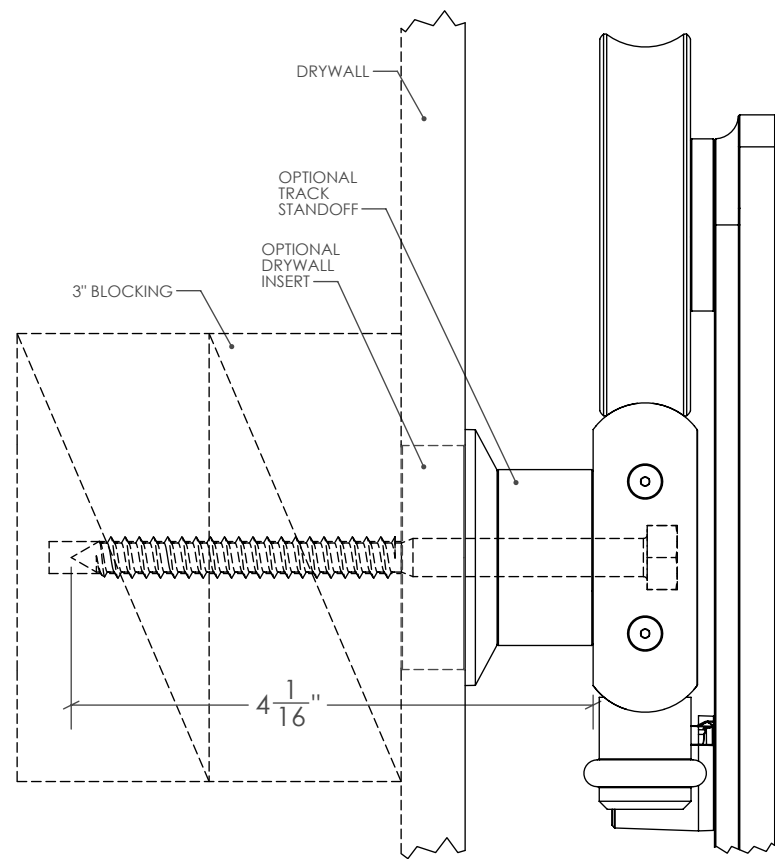
PRODUCT NAME: RAGNAR

DRAWING SCALE: 8" = 1' (2:3)

PAGE: 1/1

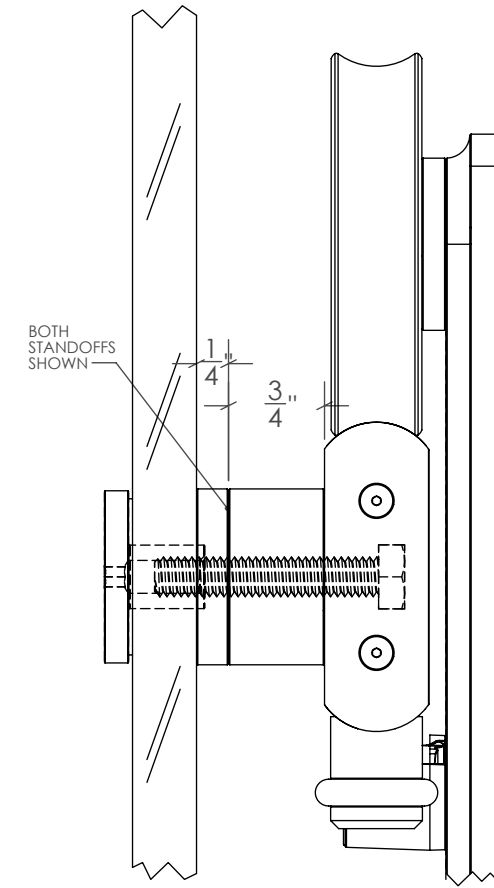
DATE: 12/9/2015

Krownlab Inc.
2351 NW York St.
Portland, OR 97210
503-292-6998
www.krownlab.com
sales@krownlab.com



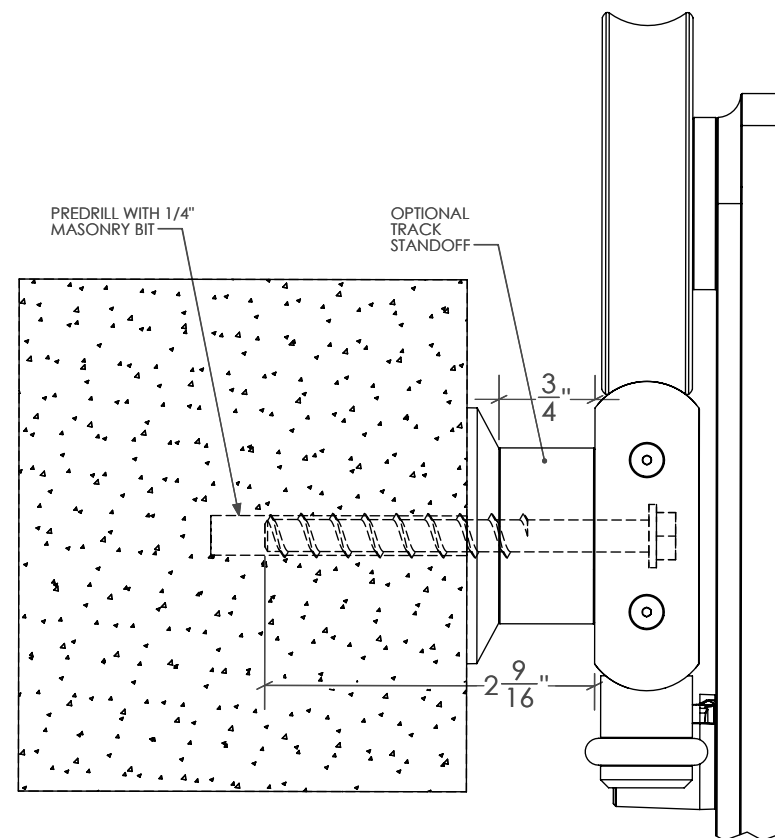
Framed Wall

Wood or metal stud framed walls must have 3" of solid wood blocking secured to studs or other framing members. Framed wall kits include 5/16" x 4-1/2" lag bolts.



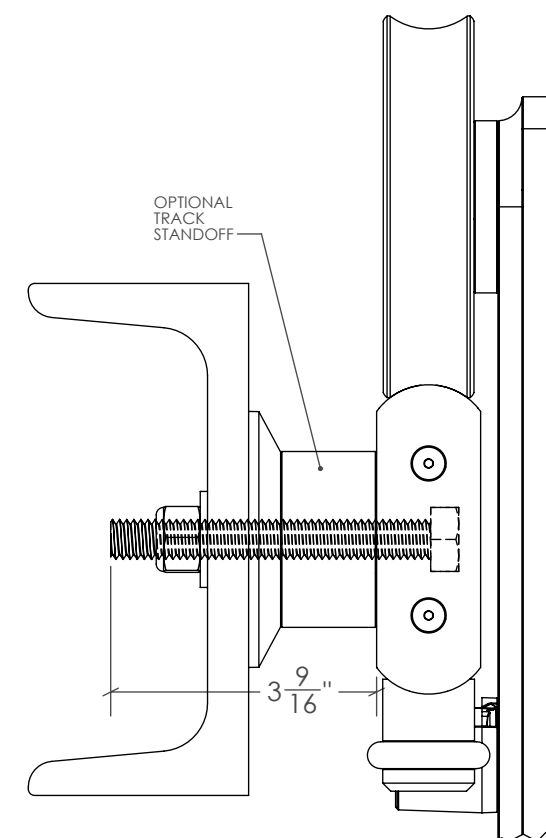
Glass Wall

5/16"-18 hardware compatible with 3/8" and 1/2" glass walls included. Custom hardware for thicker walls available by special request. Bypassing hardware systems are not available for glass wall installations.



Concrete Wall

Concrete and masonry walls must be solid and thicker than the minimum required thread engagement of 1-1/2". Concrete kits include 5/16" x 3" screw-in anchors.



Steel Beam

Steel beams must be structural in nature and have a minimum wall thickness of 1/2". Note that you cannot attach this hardware to sheet metal studs. Steel kits include 5/16"-18 x 4" bolts.