

# DOOR GUIDE

## ADJUSTABLE WOOD DOOR GUIDE

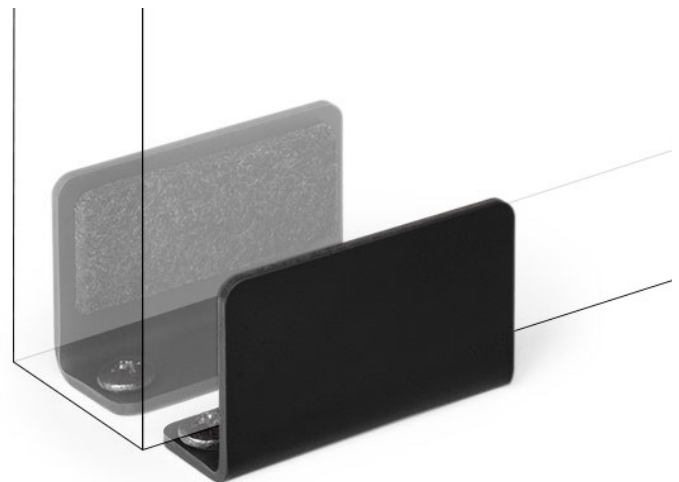
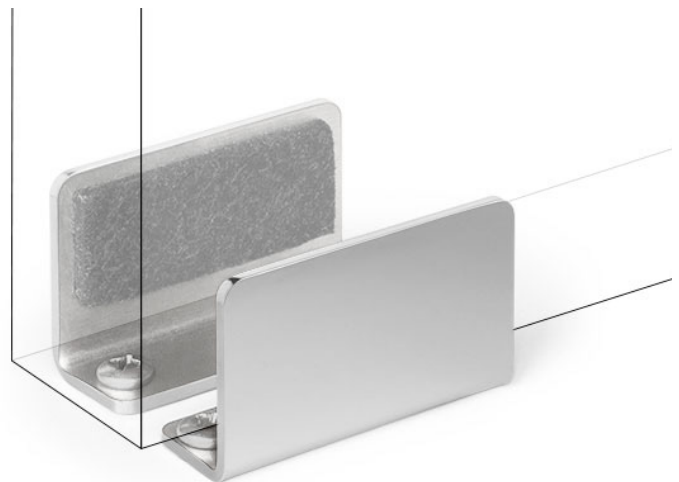
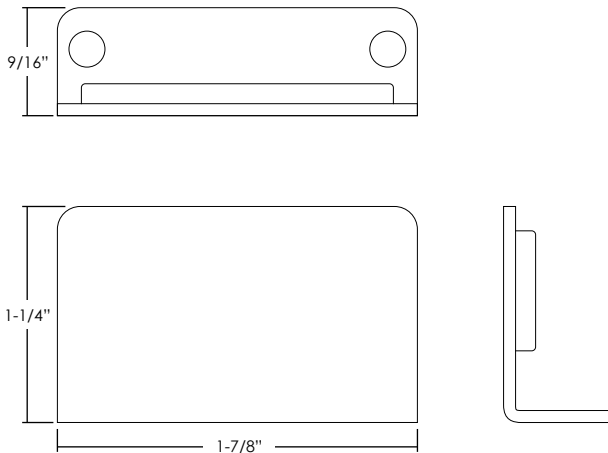
Fully adjustable door guide specifically designed for sliding wood doors to accommodate any door thickness. Made in the USA and manufactured from stainless steel with a fine linear grained finish.

### FEATURES

- Manufactured from high-quality 300-series stainless steel.
- Durable inserts ensures smooth and quiet operation.
- Eliminates need to route channel in bottom of door.
- Comes in multiple finishes to match your system hardware.
- Mounts to most surfaces.
- 10 year commercial warranty.

### SPECIFICATIONS

- Compatible with doors 1" and thicker.
- Felt and plastic insert options available.
- Fasteners included.



### QUICK LOOK

#### FINISH OPTIONS



Brushed Stainless



Black Stainless

#### DOOR PANEL COMPATIBILITY

Compatible with wood panels 1" and thicker.

#### MORE INFORMATION

For more information: [www.krownlab.com/accessories](http://www.krownlab.com/accessories)

### ORDERING AND PRICING

For inquiries or to place orders, please contact: [support@krownlab.com](mailto:support@krownlab.com), or call +1 503 292 6998  
Trade discounts and volume pricing available.