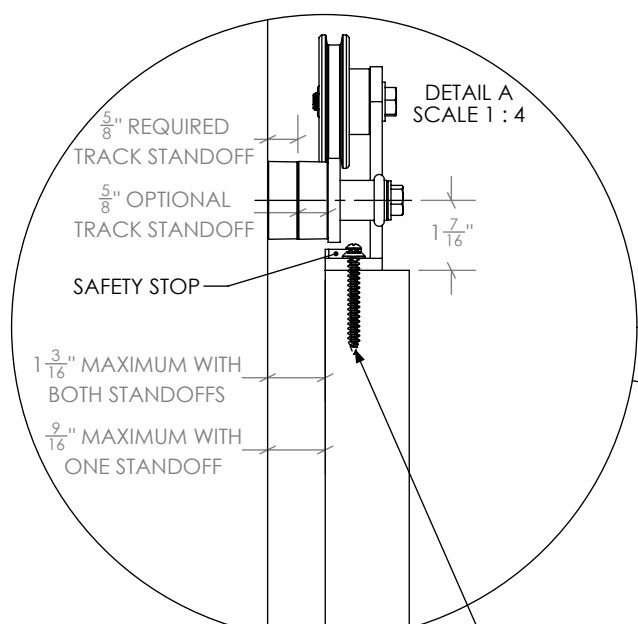
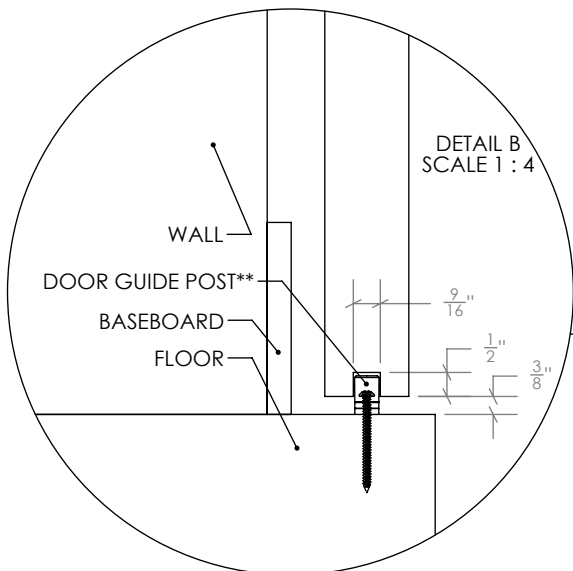


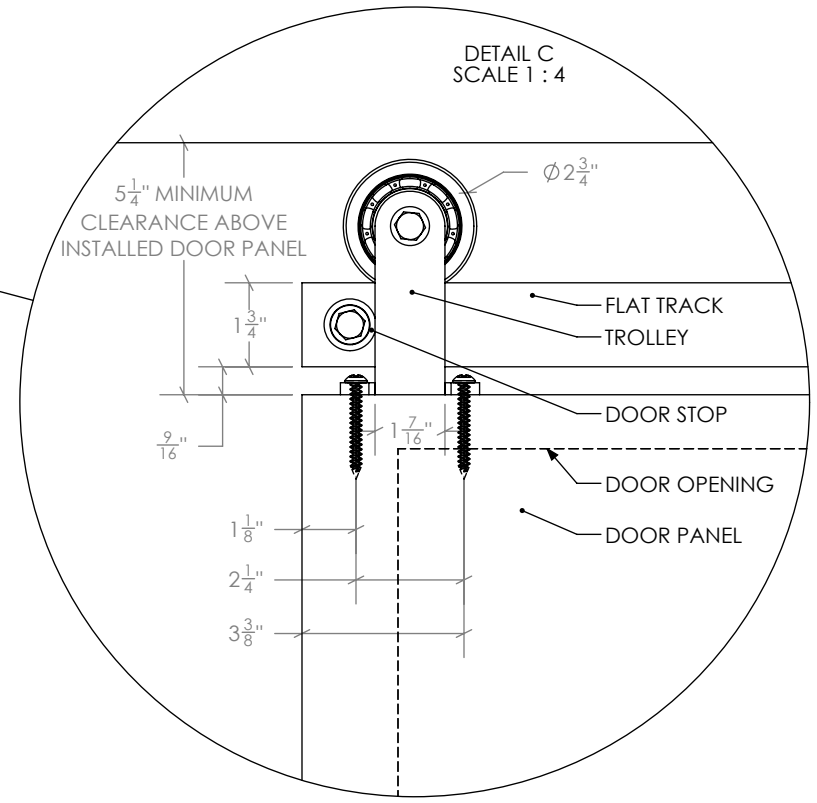
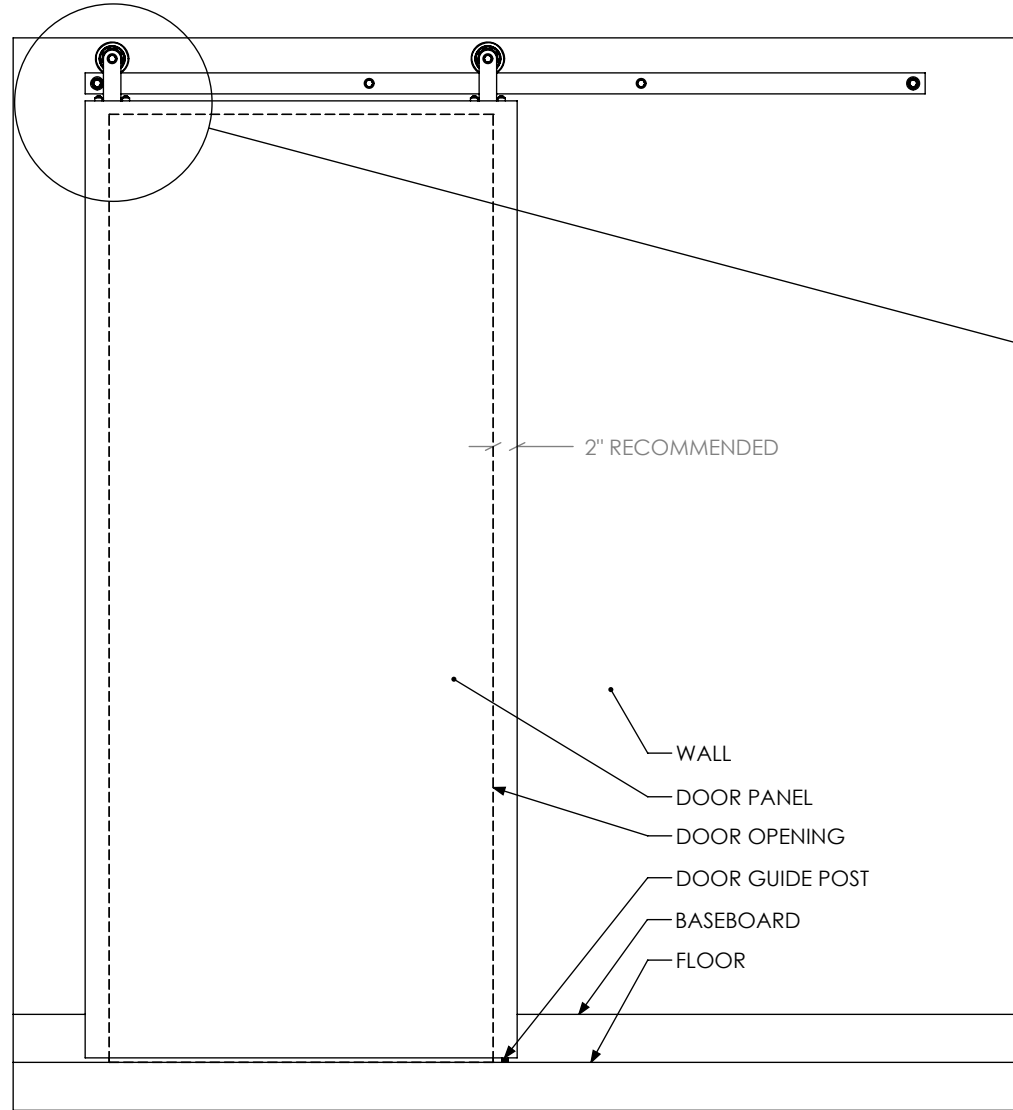
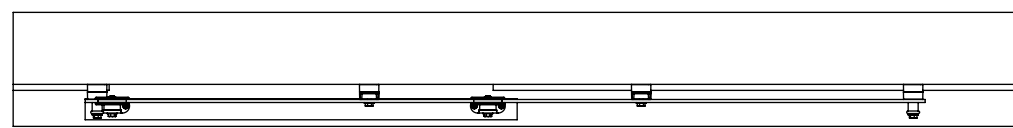
DOCUMENT:	PRODUCT SPECIFICATIONS	DOOR APPLICATION:	SINGLE & BI-PARTING	DRAWING SCALE:	3/4" = 1'-0" (1:16)	KROWNLAB 2351 NW York St. Portland, OR 97210 +1 503 292 6998 www.krownlab.com support@krownlab.com
SYSTEM:	AXEL	PANEL THICKNESS:	1-3/8" MINIMUM	UNITS:	INCHES	
MOUNTING STYLE:	TOP MOUNT	MAXIMUM WEIGHT:	200LBS (CONTACT US FOR HEAVIER PANELS)	DATE:	4/8/2019	




TROLLEY MOUNTING SCREWS MUST BE INSTALLED IN CROSS-GRAIN. NEVER INSTALL INTO END-GRAIN.

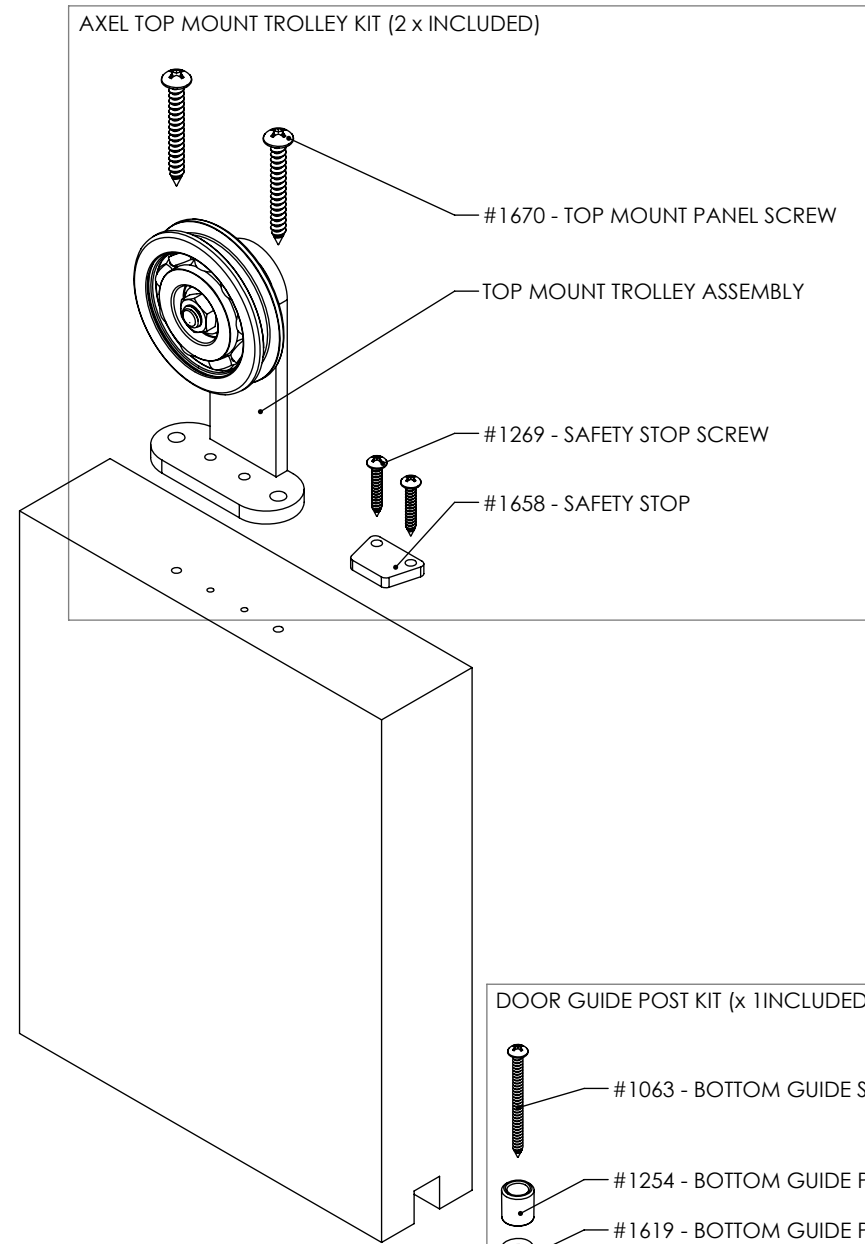
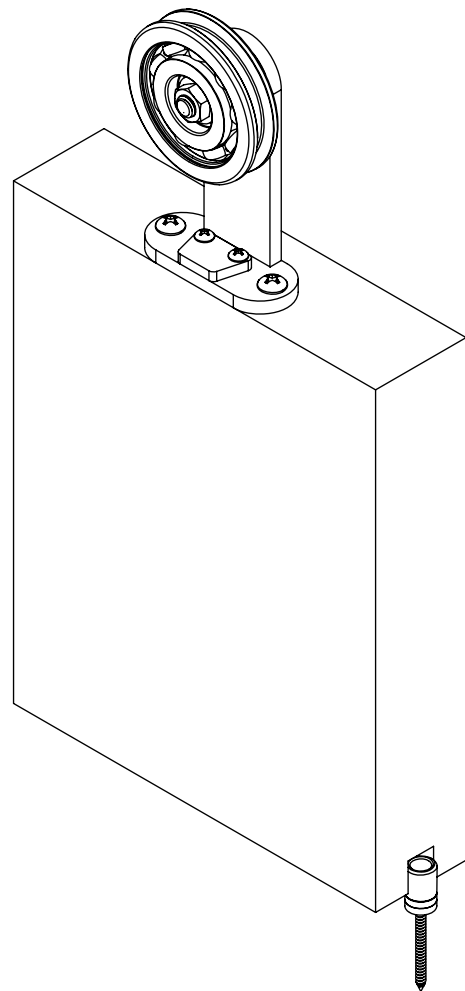
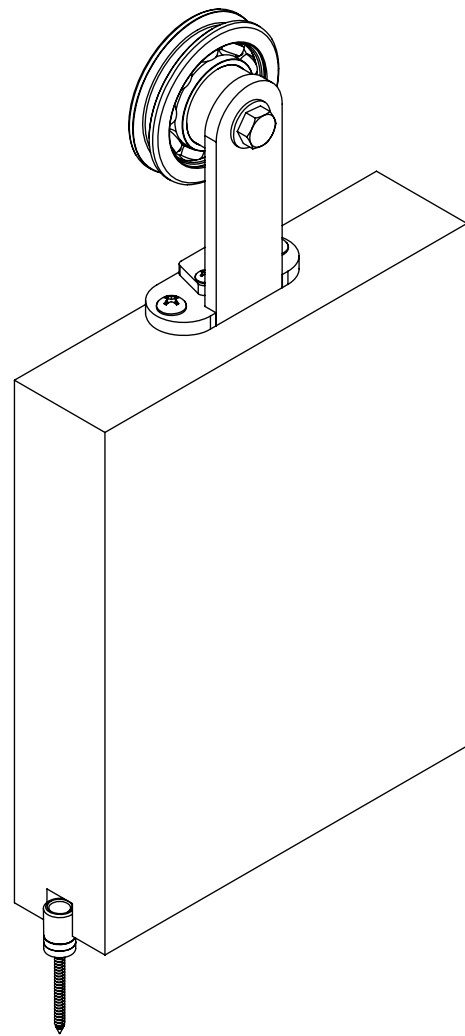


\*\* = DOOR GUIDE MAY DIFFER



DOCUMENT:	PRODUCT SPECIFICATIONS	DOOR APPLICATION:	SINGLE & BI-PARTING	DRAWING SCALE:	4" = 1'-0" (1:3)	KROWNLAB 2351 NW York St. Portland, OR 97210 +1 503 292 6998 www.krownlab.com support@krownlab.com	
SYSTEM:	AXEL	PANEL THICKNESS:	1-3/8" MINIMUM	UNITS:	INCHES		
MOUNTING STYLE:	TOP MOUNT	MAXIMUM WEIGHT:	200LBS (CONTACT US FOR HEAVIER PANELS)	DATE:	1/14/2019		

WHAT'S INCLUDED:  
 2 x - AXEL TOP MOUNT TROLLEY KIT  
 1 x - DOOR GUIDE POST KIT (DOOR GUIDE MAY DIFFER - MULTIPLE OPTIONS EXIST)  
 1 x - FLAT TRACK SYSTEM WITH ALL MOUNTING HARDWARE (SEE SEPARATE PAGE)

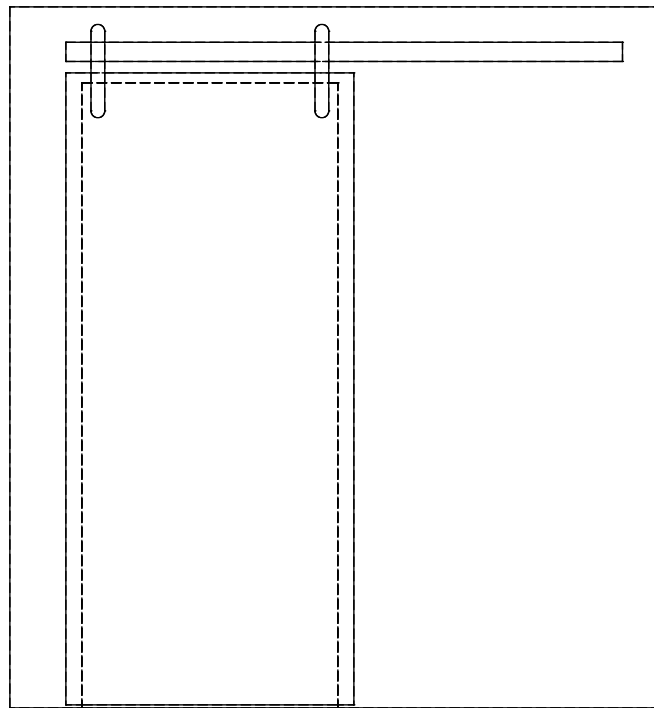


\* = THE DOOR GUIDE MAY DIFFER - MULTIPLE OPTIONS EXIST

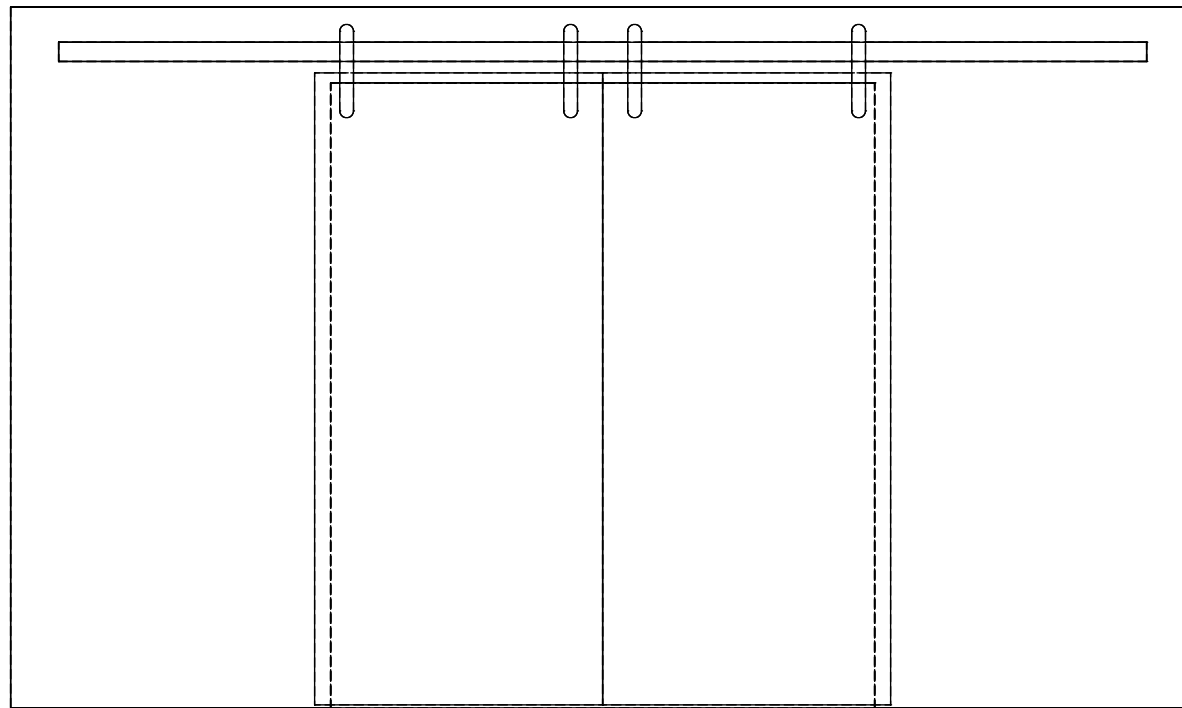
DOCUMENT:	PRODUCT SPECIFICATIONS - DOOR CONFIGURATIONS	DOOR APPLICATION:	SINGLE & BI-PARTING	DRAWING SCALE:	1/2" = 1'-0" (1:24)	KROWNLAB 2351 NW York St. Portland, OR 97210 +1 503 292 6998 www.krownlab.com support@krownlab.com
SYSTEM:	FLAT TRACK	PANEL THICKNESS:	TROLLEY SYSTEM DEPENDENT	UNITS:	INCHES	
MOUNTING STYLE:	FRAMED WALL	MAXIMUM WEIGHT:	200LBS (CONTACT US FOR HEAVIER PANELS)	DATE:	1/14/2019	



SINGLE



BI-PARTING

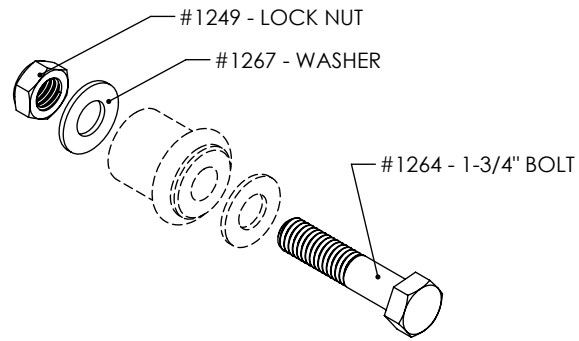


DOCUMENT:	PRODUCT SPECIFICATIONS	DOOR APPLICATION:	SINGLE & BI-PARTING	DRAWING SCALE:	6" = 1'-0" (1:2)	KROWNLAB 2351 NW York St. Portland, OR 97210 +1 503 292 6998 www.krownlab.com support@krownlab.com
SYSTEM:	FLAT TRACK	PANEL THICKNESS:	TROLLEY SYSTEM DEPENDENT	UNITS:	INCHES	
MOUNTING STYLE:	FRAMED WALL	MAXIMUM WEIGHT:	200LBS (CONTACT US FOR HEAVIER PANELS)	DATE:	1/14/2019	

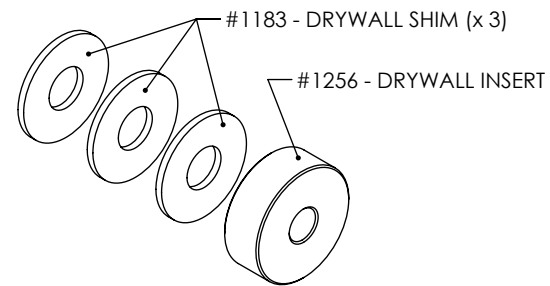


WHAT'S INCLUDED:  
 1 x - FLAT TRACK SYSTEM WITH ALL MOUNTING HARDWARE:  
 2 x - TRACK END MOUNTING KIT  
 X x - TRACK CENTER MOUNTING KIT  
 1 x - FLOATING DOOR STOP KIT

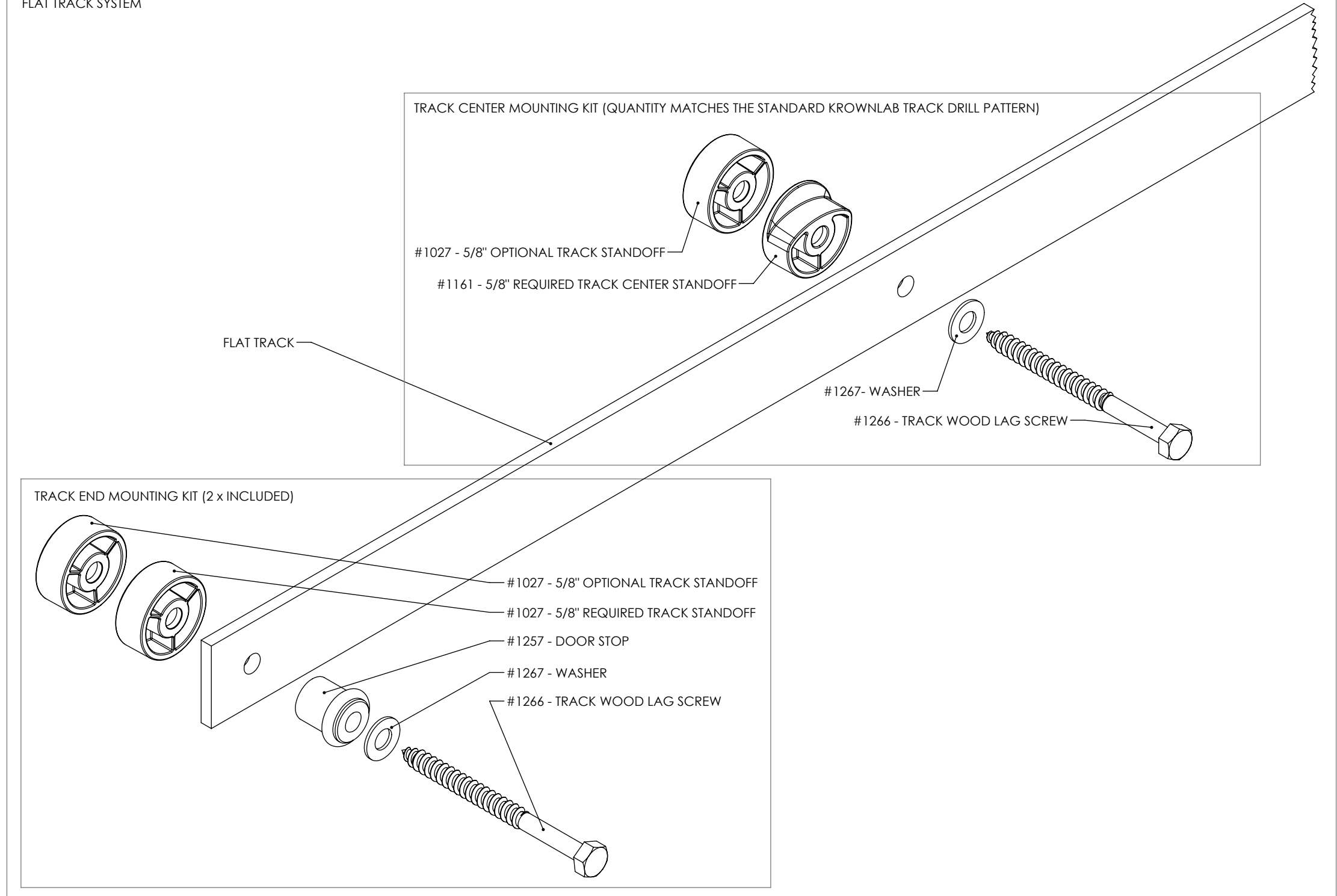
FLOATING DOOR STOP KIT (x 1 INCLUDED)



DRYWALL INSERT KIT (NOT INCLUDED)



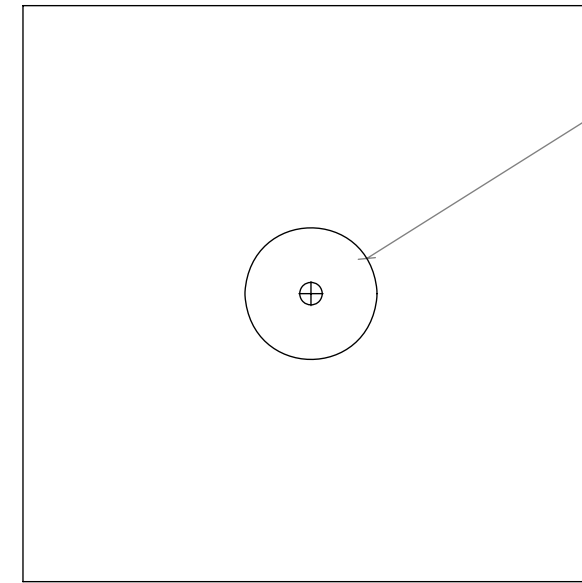
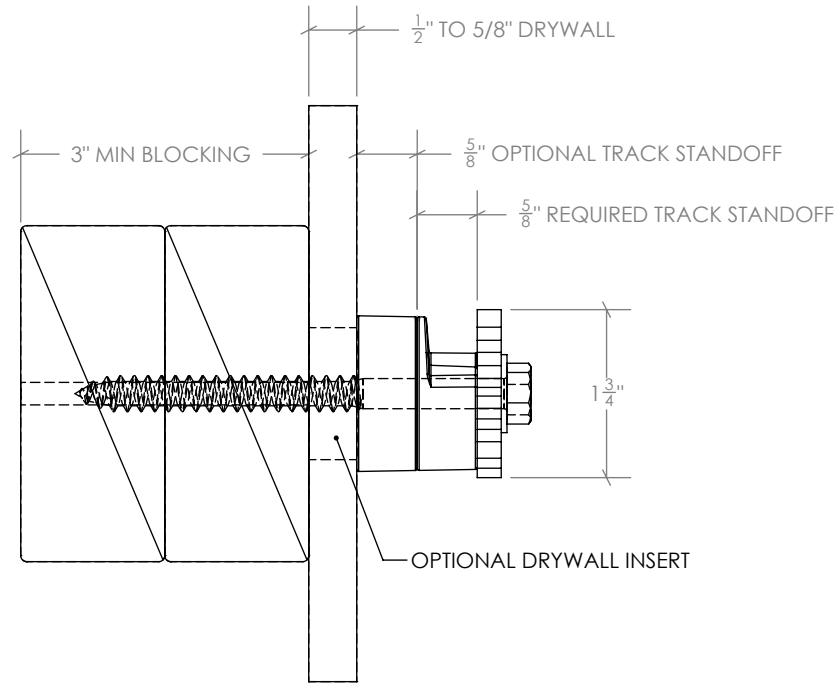
FLAT TRACK SYSTEM



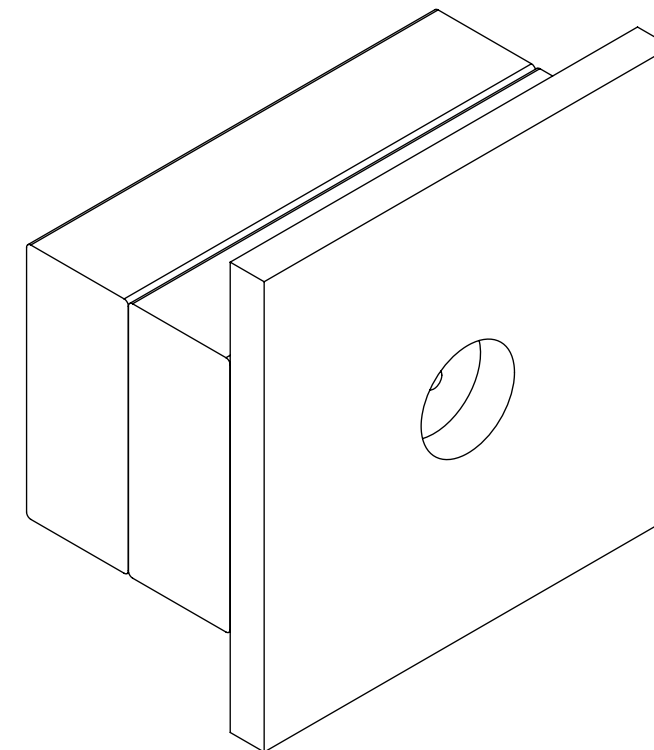
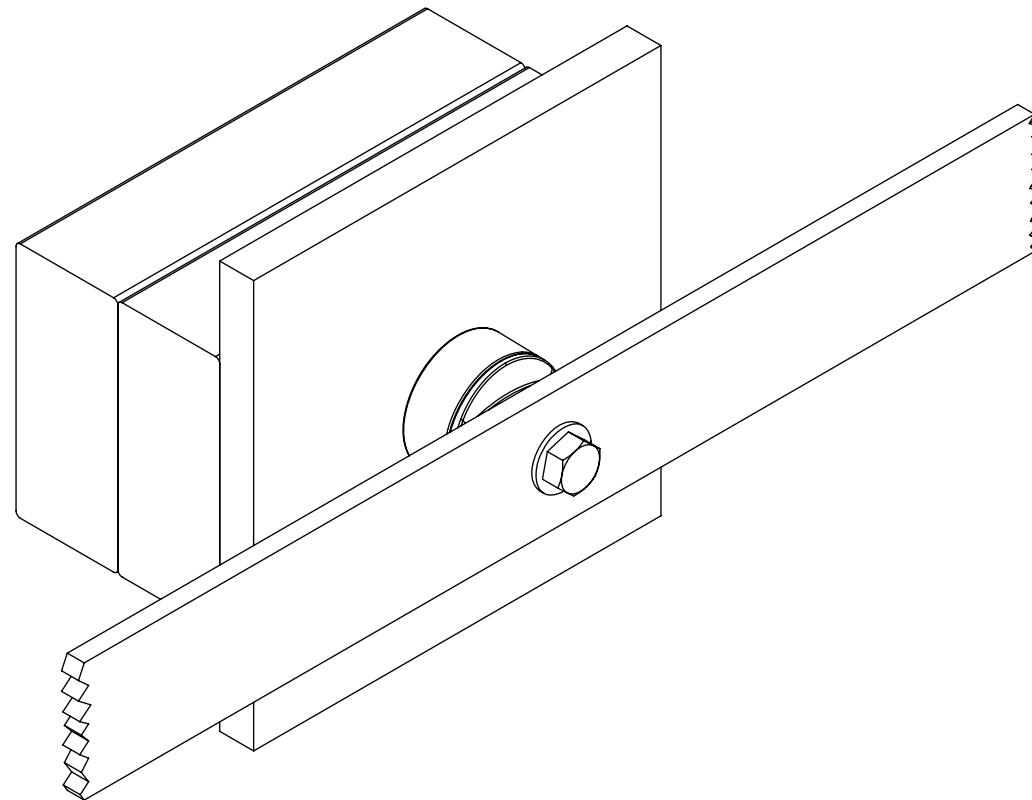
DOCUMENT:	PRODUCT SPECIFICATIONS - TRACK MOUNTING POINT	DOOR APPLICATION:	SINGLE & BI-PARTING	DRAWING SCALE:	6" = 1'-0" (1:2)	KROWNLAB 2351 NW York St. Portland, OR 97210 +1 503 292 6998 www.krownlab.com support@krownlab.com
SYSTEM:	FLAT TRACK	PANEL THICKNESS:	TROLLEY SYSTEM DEPENDENT	UNITS:	INCHES	
MOUNTING STYLE:	FRAMED WALL	MAXIMUM WEIGHT:	200LBS (CONTACT US FOR HEAVIER PANELS)	DATE:	1/14/2019	



TRACK CENTER MOUNTING POINT SHOWN BELOW.  
 TRACK END MOUNTING POINT ONLY DIFFERS IN APPEARANCE.



Ø 1 3/8" HOLE IN DRYWALL IF USING  
 OPTIONAL DRYWALL INSERTS



DOCUMENT:	PRODUCT SPECIFICATIONS - TRACK LENGTHS	DOOR APPLICATION:	SINGLE & BI-PARTING	DRAWING SCALE:	1-1/2" = 1'-0" (1:8)	KROWNLAB 2351 NW York St. Portland, OR 97210 +1 503 292 6998 www.krownlab.com support@krownlab.com
SYSTEM:	FLAT TRACK	PANEL THICKNESS:	TROLLEY SYSTEM DEPENDENT	UNITS:	INCHES	
MOUNTING STYLE:	FRAMED WALL	MAXIMUM WEIGHT:	200LBS (CONTACT US FOR HEAVIER PANELS)	DATE:	1/14/2019	

