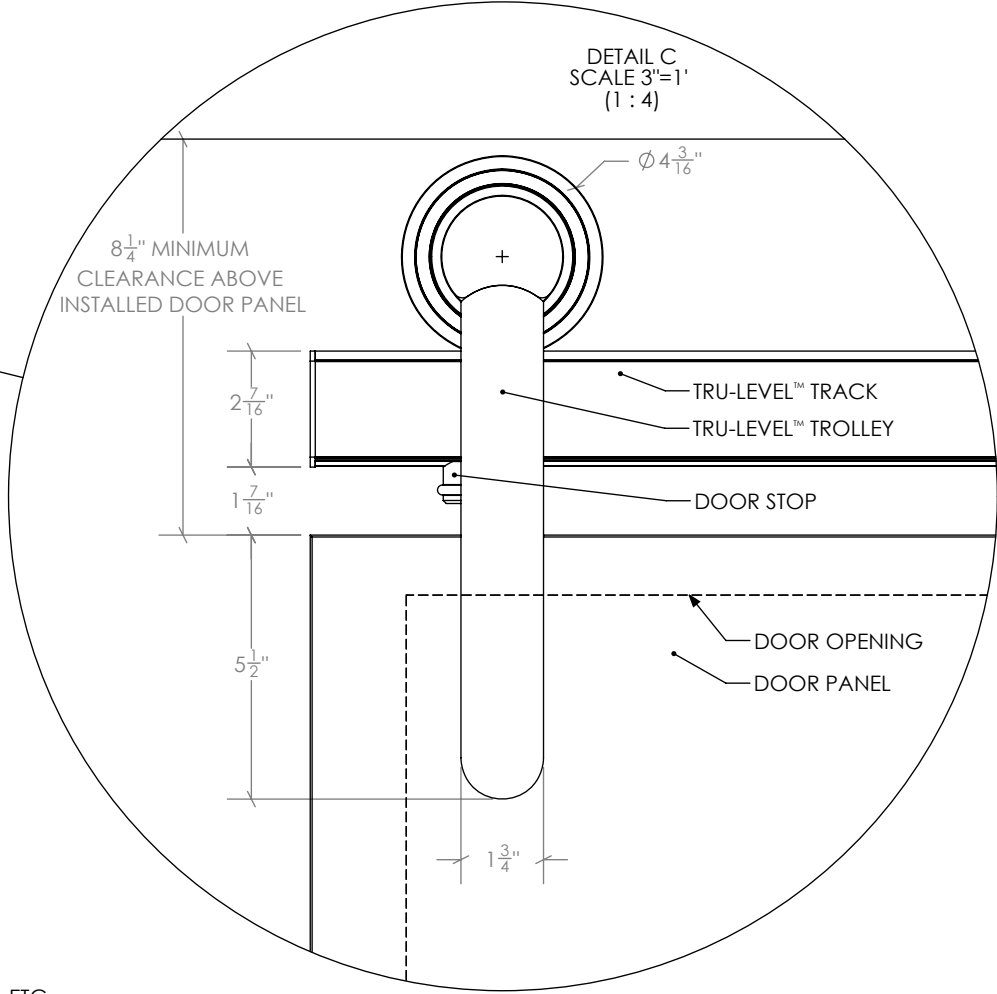
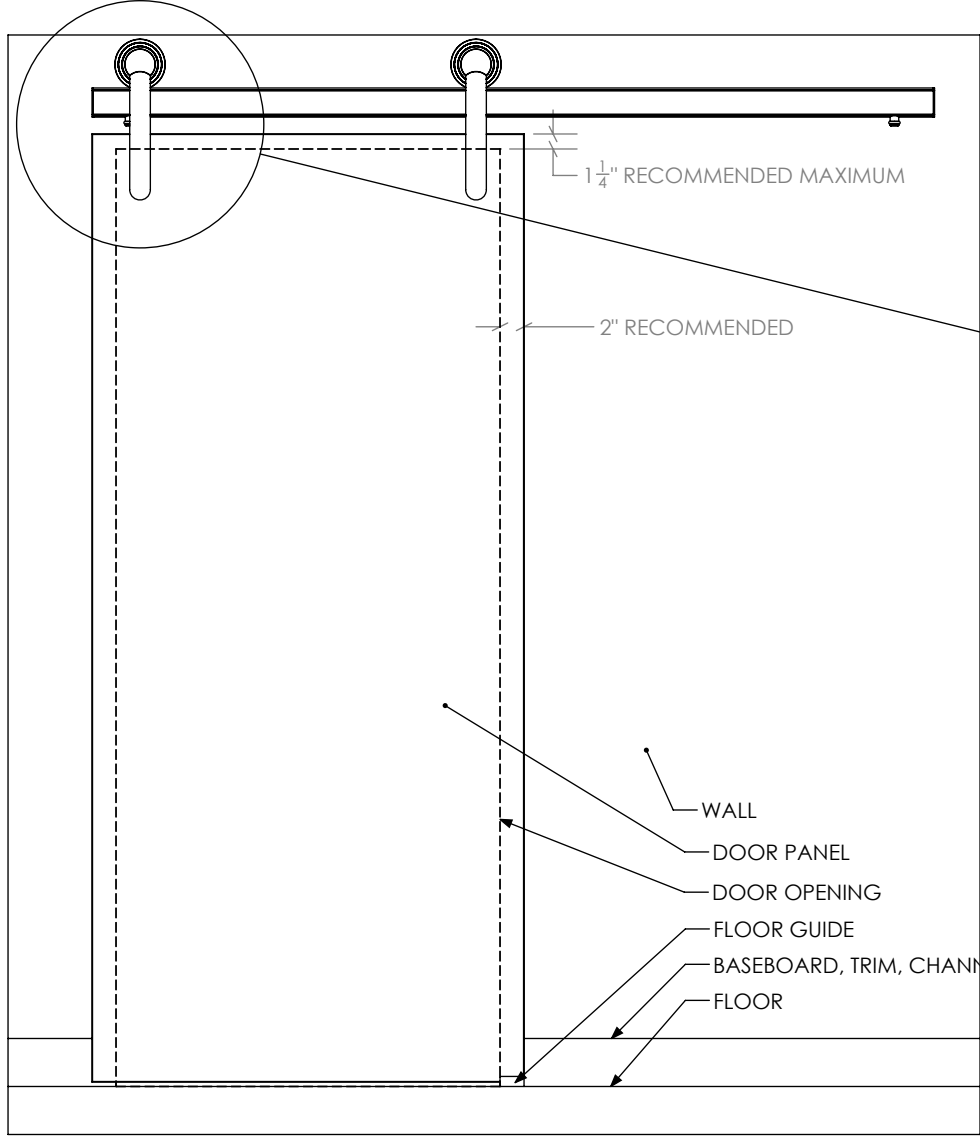
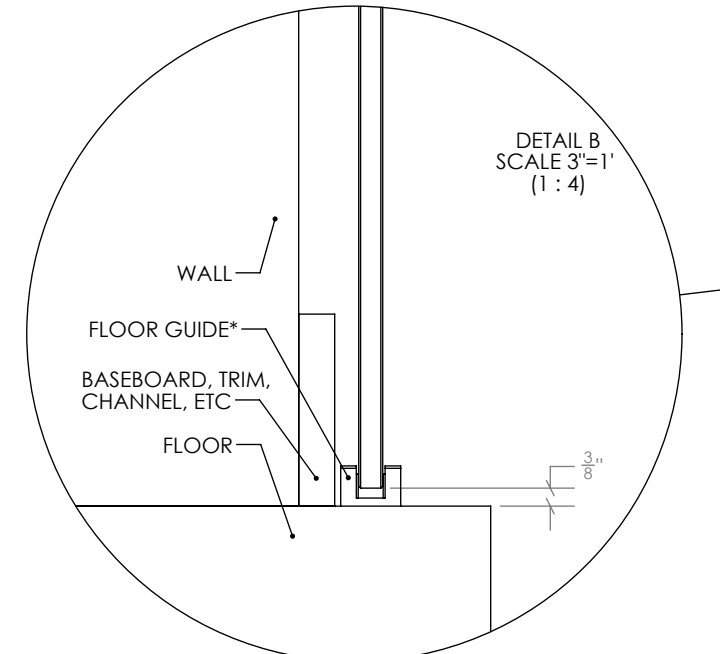
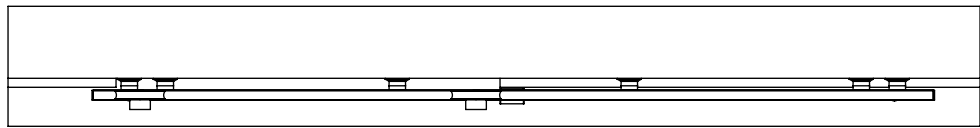
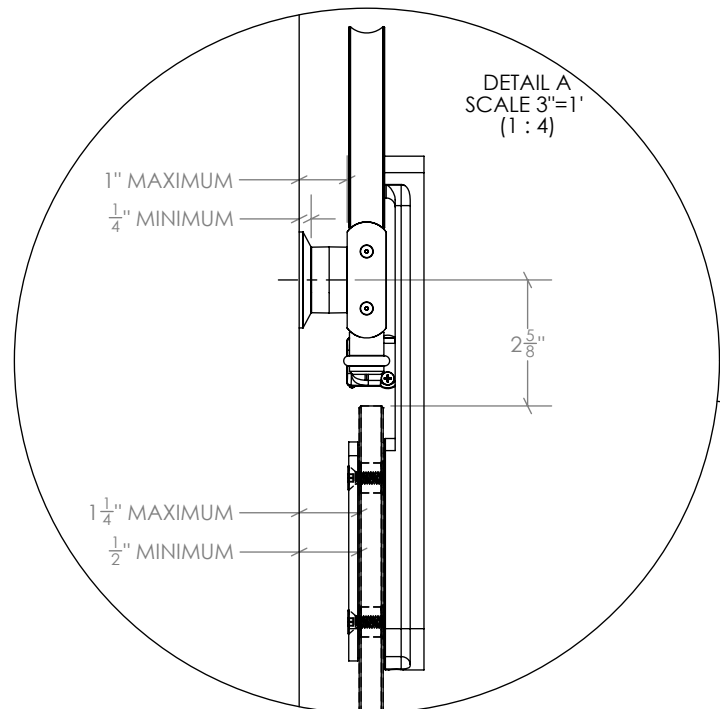


DOCUMENT: PRODUCT SPECIFICATIONS	DOOR APPLICATION: SINGLE, BI-PARTING, BYPASSING	DRAWING SCALE: 3/4" = 1'-0" (1:16)	KROWNLAB 2351 NW York St. Portland, OR 97210 +1 503 292 6998 www.krownlab.com support@krownlab.com
SYSTEM: BALDUR	PANEL THICKNESS: 3/8" TO 1/2"	UNITS: INCHES	
MOUNTING STYLE: GLASS MOUNT	MAXIMUM WEIGHT: UP TO 550LBS (CONTACT US FOR HEAVIER PANELS)	DATE: 3/6/2024	

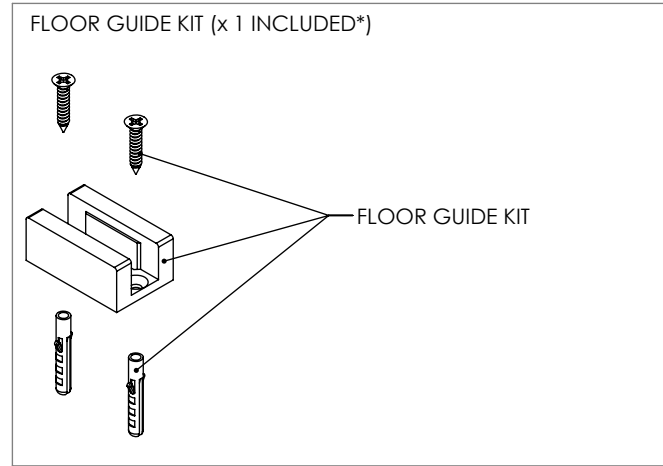
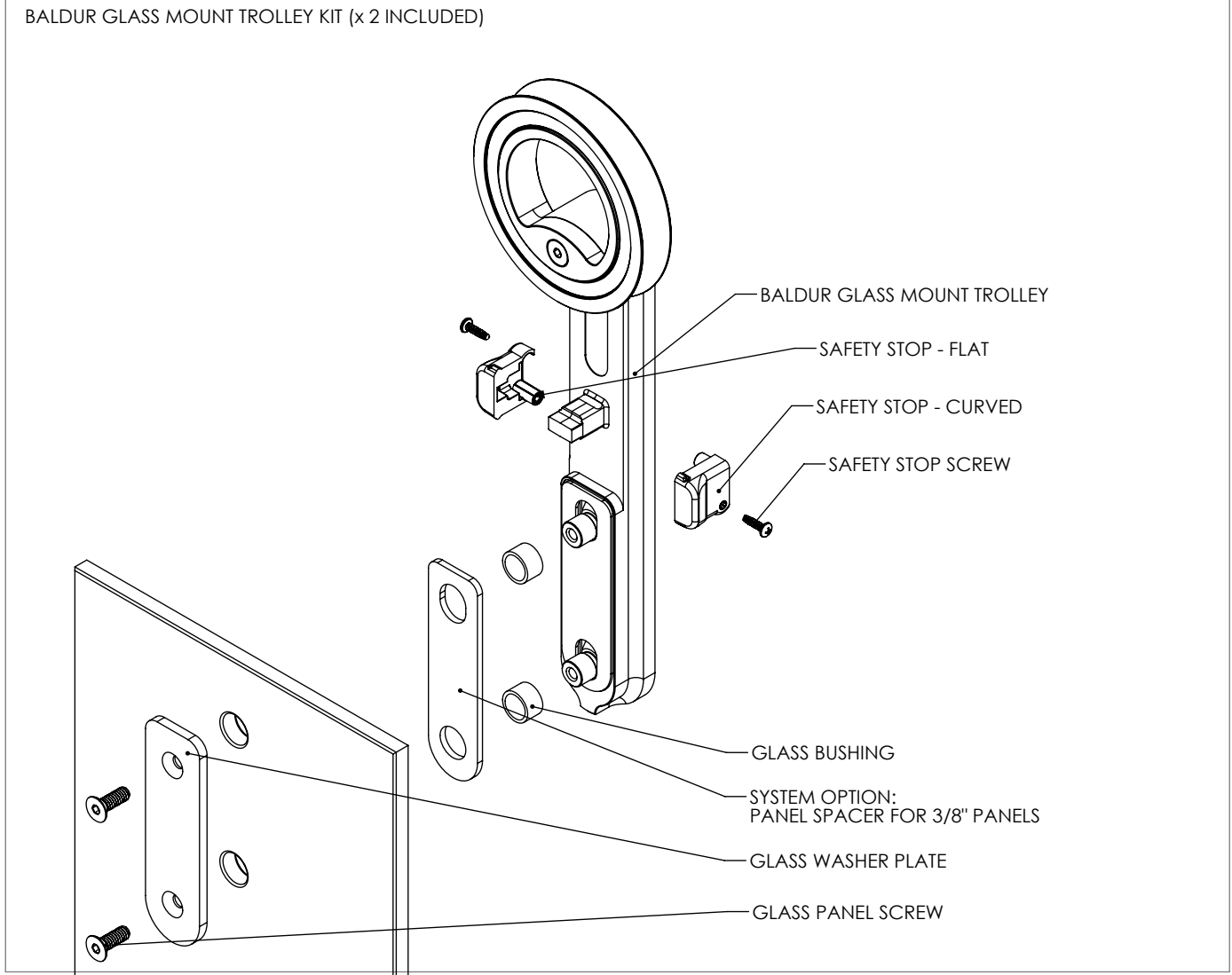
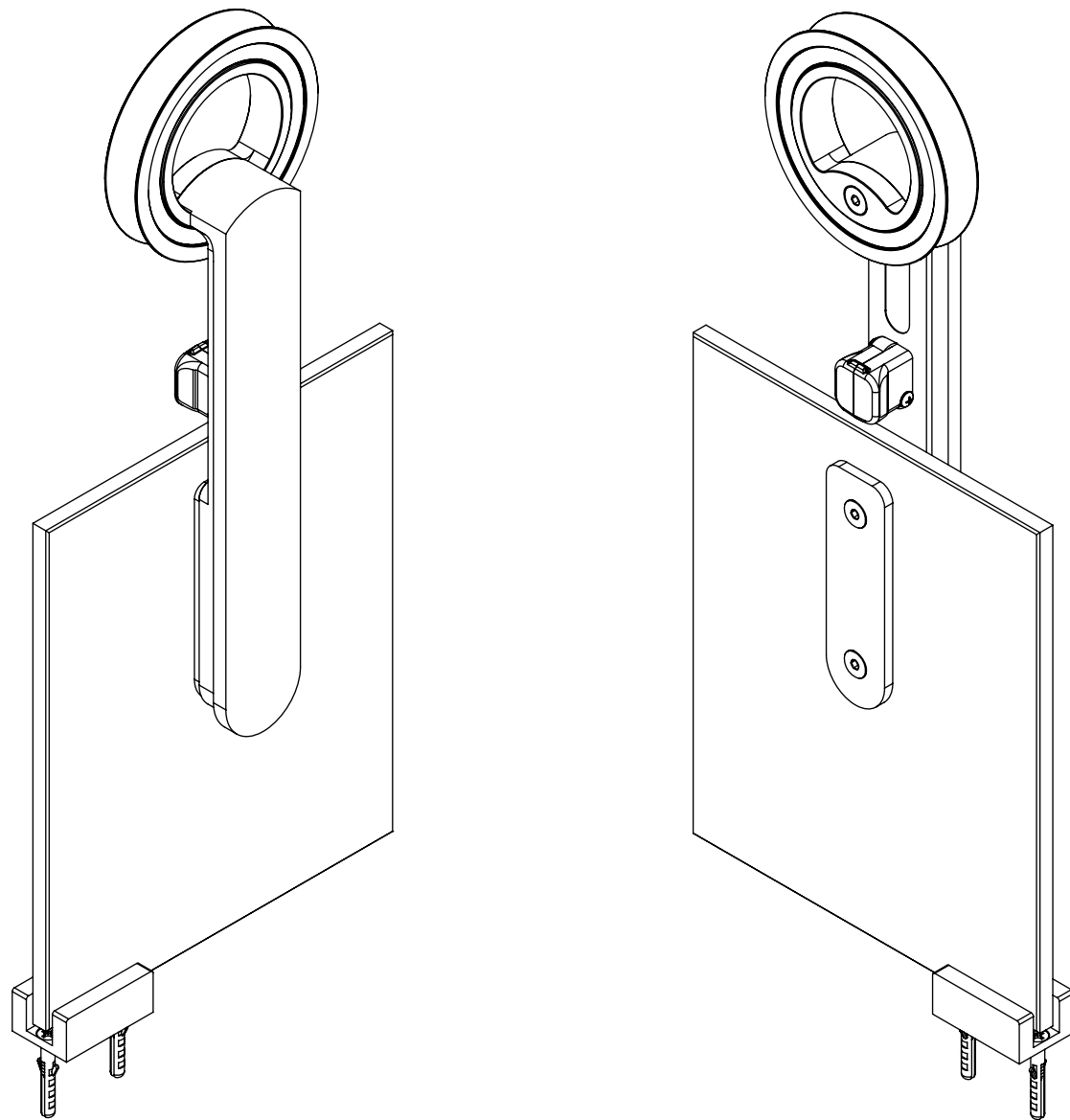


\* = FLOOR GUIDE MAY DIFFER

DOCUMENT:	PRODUCT SPECIFICATIONS	DOOR APPLICATION:	SINGLE, BI-PARTING, BYPASSING	DRAWING SCALE:	4" = 1'-0" (1:3)	KROWNLAB 2351 NW York St. Portland, OR 97210 +1 503 292 6998 www.krownlab.com support@krownlab.com
SYSTEM:	BALDUR	PANEL THICKNESS:	3/8" TO 1/2"	UNITS:	INCHES	
MOUNTING STYLE:	GLASS MOUNT	MAXIMUM WEIGHT:	UP TO 550LBS (CONTACT US FOR HEAVIER PANELS)	DATE:	3/6/2024	



WHAT'S INCLUDED:  
 2 x BALDUR GLASS MOUNT TROLLEY KIT  
 1 x FLOOR GUIDE KIT (FLOOR GUIDE MAY DIFFER - MULTIPLE OPTIONS EXIST)  
 1 x TRU-LEVEL™ TRACK SYSTEM WITH ALL MOUNTING HARDWARE (SEE SEPARATE PAGE)



\* = FLOOR GUIDE MAY DIFFER - MULTIPLE OPTIONS EXIST

DOCUMENT:	PRODUCT SPECIFICATIONS - GLASS DOOR PANEL SPECIFICATIONS	DOOR APPLICATION:	SINGLE, BI-PARTING & BYPASSING	DRAWING SCALE:	1" = 1'-0" (1:12)	KROWNLAB 2351 NW York St. Portland, OR 97210 +1 503 292 6998 www.krownlab.com support@krownlab.com
SYSTEM:	TRU-LEVEL™ TRACK	PANEL THICKNESS:	3/8" TO 1/2" (CONTACT US FOR PANELS OUTSIDE OF THIS RANGE)	UNITS:	INCHES	
MOUNTING STYLE:	GLASS	MAXIMUM WEIGHT:	TROLLEY SYSTEM OR TRACK CONFIGURATION DEPENDENT	DATE:	1/17/2024	



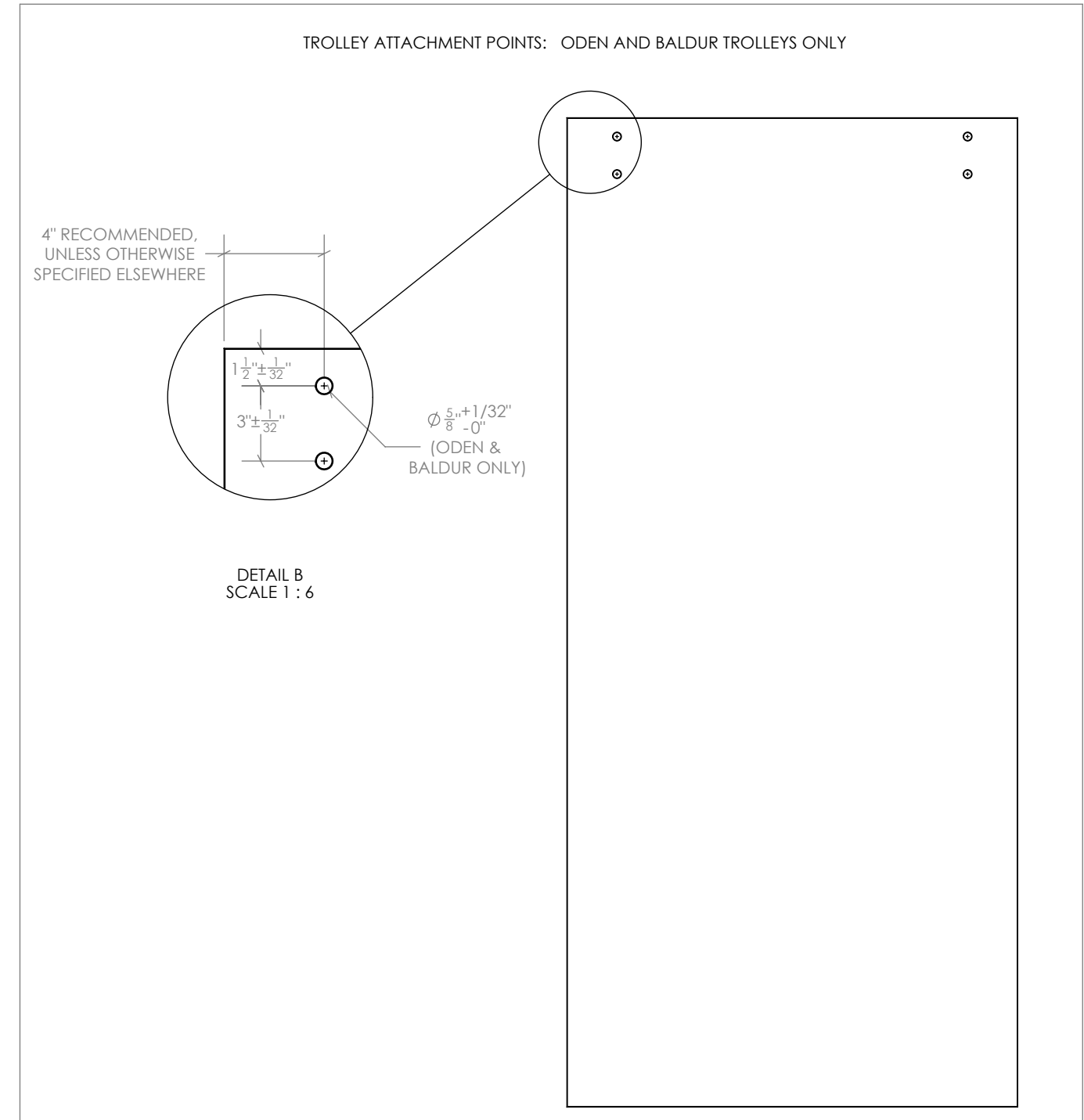
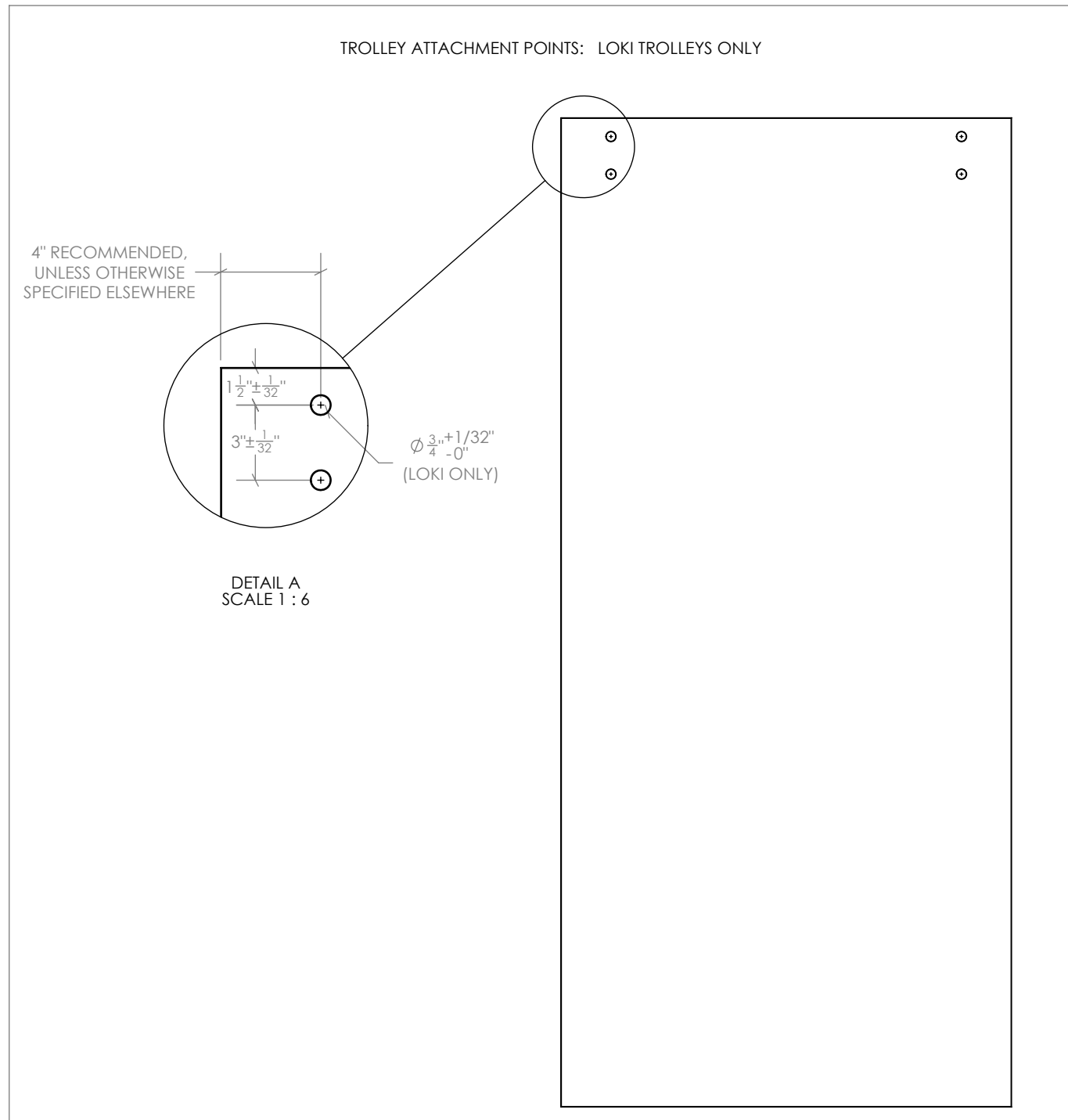
ALL GLASS PANELS AND FIXED MOUNTING HARDWARE MUST BE SOURCED THROUGH GLASS INSTALLER OR OTHER PARTY, AND MUST MEET THE FOLLOWING REQUIREMENTS:

GLASS PANELS MUST BE FLAT POLISHED AND HAVE A 1MM CHAMFER ON ALL EDGES.

ALL HOLES MUST BE DRILLED OR CNC MACHINED WITH STRAIGHT WALLS AND SEAMED EDGES. DO NOT WATER-JET - NO TAPERED HOLES.

ALL TEMPERED GLASS IS SUBJECT TO EXPERIENCE SPONTANIOUS BREAKAGE. IT IS THE BUYERS RESPONSIBILITY TO DETERMINE AND APPROVE GLASS SPECIFICATION(S) SUITABLE TO MEET ALL FACTORS RELEVANT TO THEIR PARTICULAR USE OR APPLICATION IN CONJUNCTION WITH ALL KROWN LAB, INC.'S PRODUCTS.

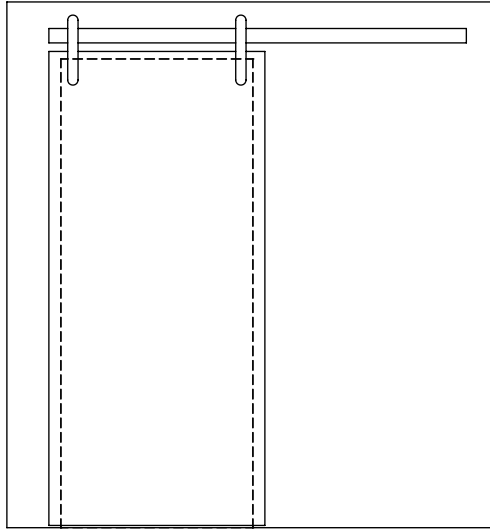
REFERENCE ASTM C1048, 7.9.5



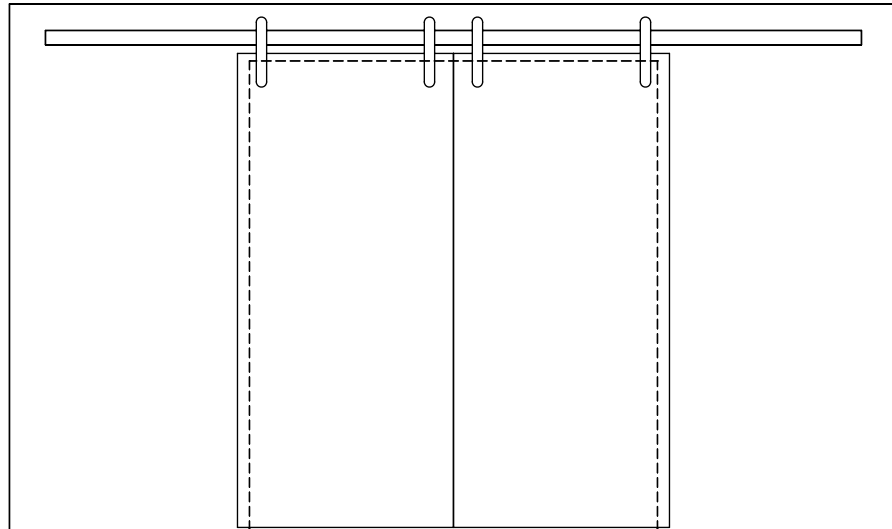
DOCUMENT:	PRODUCT SPECIFICATIONS - DOOR CONFIGURATIONS	DOOR APPLICATION:	SINGLE, BI-PARTING, BYPASSING	DRAWING SCALE:	3/8" = 1'-0" (1:32)	KROWNLAB 2351 NW York St. Portland, OR 97210 +1 503 292 6998 www.krownlab.com support@krownlab.com
SYSTEM:	TRU-LEVEL™ TRACK	PANEL THICKNESS:	TROLLEY SYSTEM AND TRACK CONFIGURATION DEPENDENT	UNITS:	INCHES	
MOUNTING STYLE:	FRAMED WALL	MAXIMUM WEIGHT:	TROLLEY SYSTEM AND TRACK CONFIGURATION DEPENDENT	DATE:	3/12/2018	



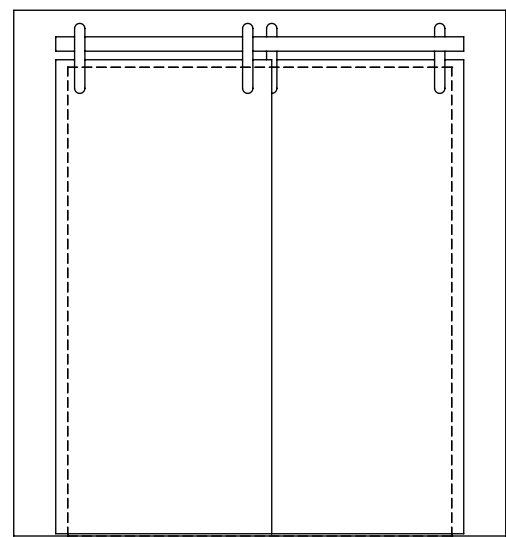
SINGLE



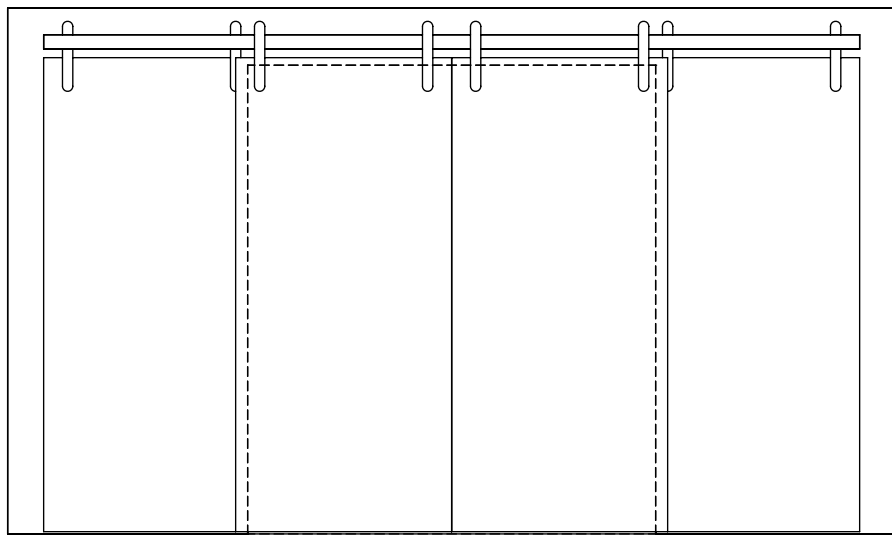
BI-PARTING



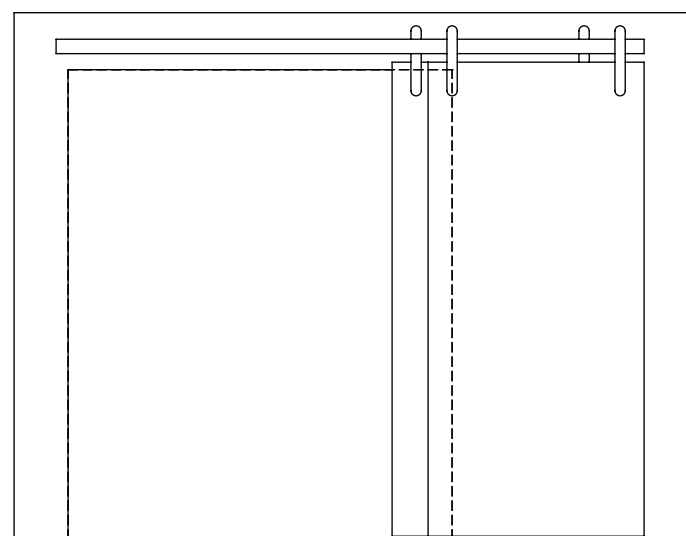
BYPASSING



BI-PARTING-BYPASSING



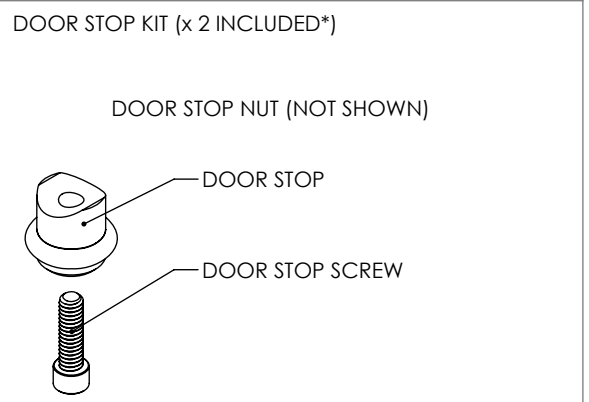
BYPASSING STACKED



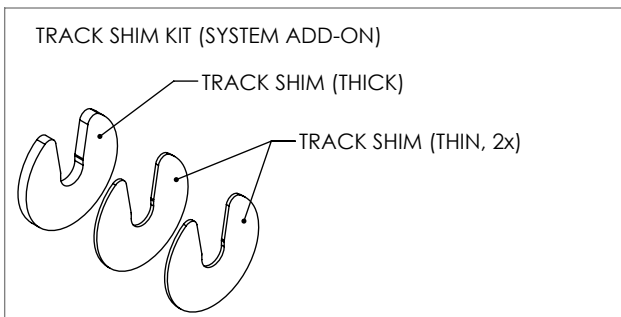
DOCUMENT:	PRODUCT SPECIFICATIONS	DOOR APPLICATION:	SINGLE, BI-PARTING, BYPASSING	DRAWING SCALE:	6" = 1'-0" (1:2)	KROWNLAB 2351 NW York St. Portland, OR 97210 +1 503 292 6998 www.krownlab.com support@krownlab.com
SYSTEM:	TRU-LEVEL™ TRACK	PANEL THICKNESS:	TROLLEY SYSTEM AND TRACK CONFIGURATION DEPENDENT	UNITS:	INCHES	
MOUNTING STYLE:	FRAMED WALL	MAXIMUM WEIGHT:	TROLLEY SYSTEM AND TRACK CONFIGURATION DEPENDENT	DATE:	11/16/2023	



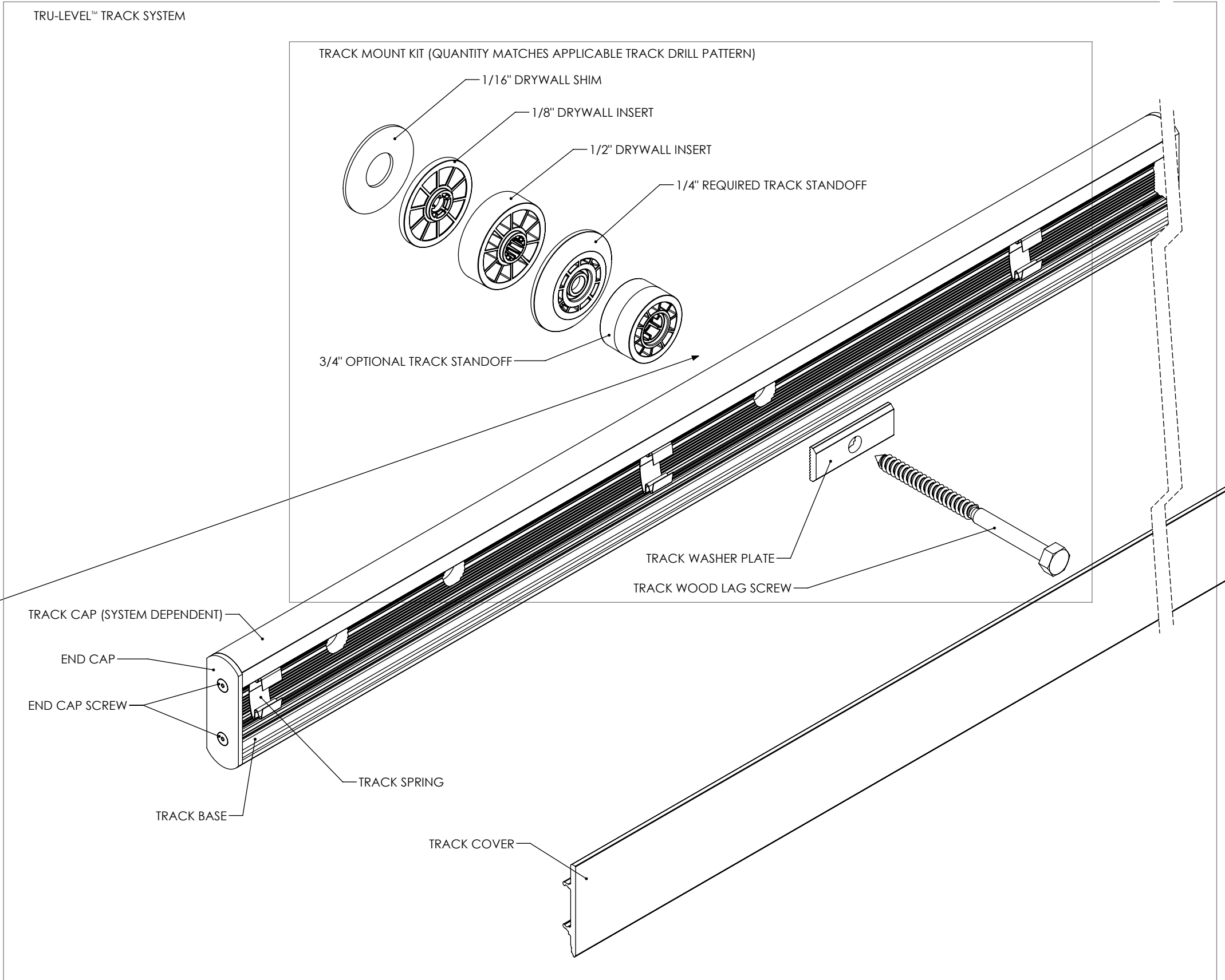
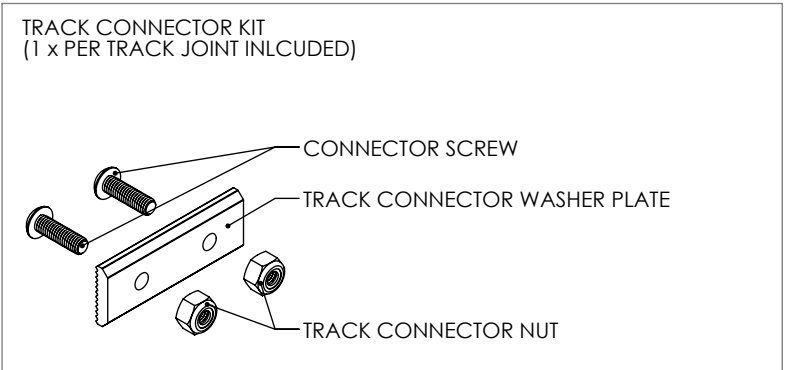
WHAT'S INCLUDED:  
 1 x TRU-LEVEL™ TRACK SYSTEM WITH ALL MOUNTING HARDWARE:  
 X x TRACK MOUNT KIT  
 2 x DOOR STOP KIT  
 X x TRACK CONNECTOR KIT (1 x PER TRACK JOINT INCLUDED)



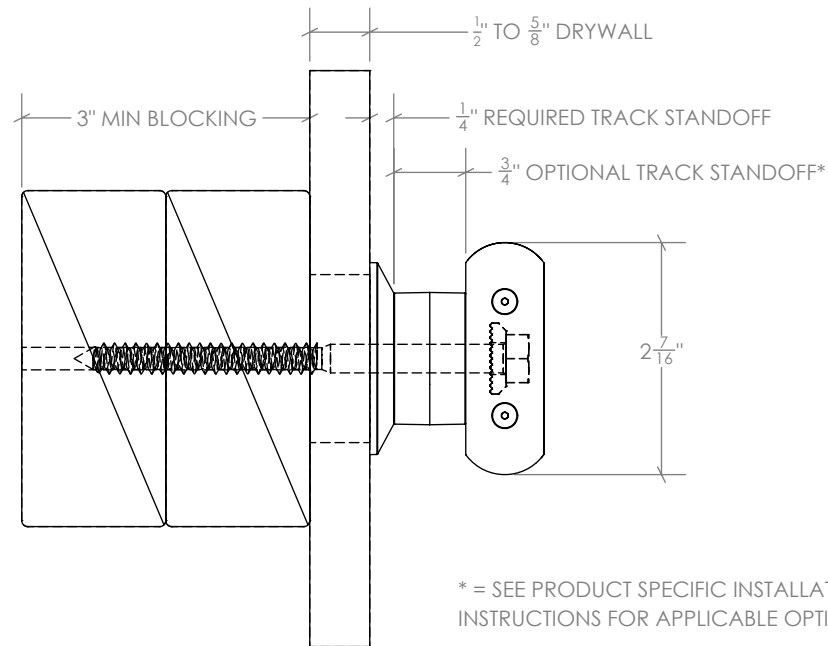
\* = THE DOOR STOP MAY DIFFER - MULTIPLE OPTIONS EXIST



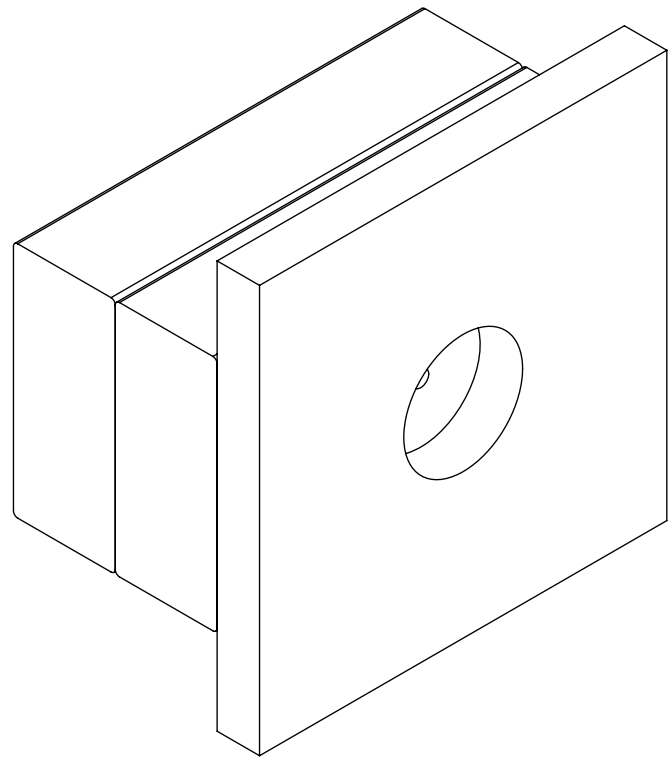
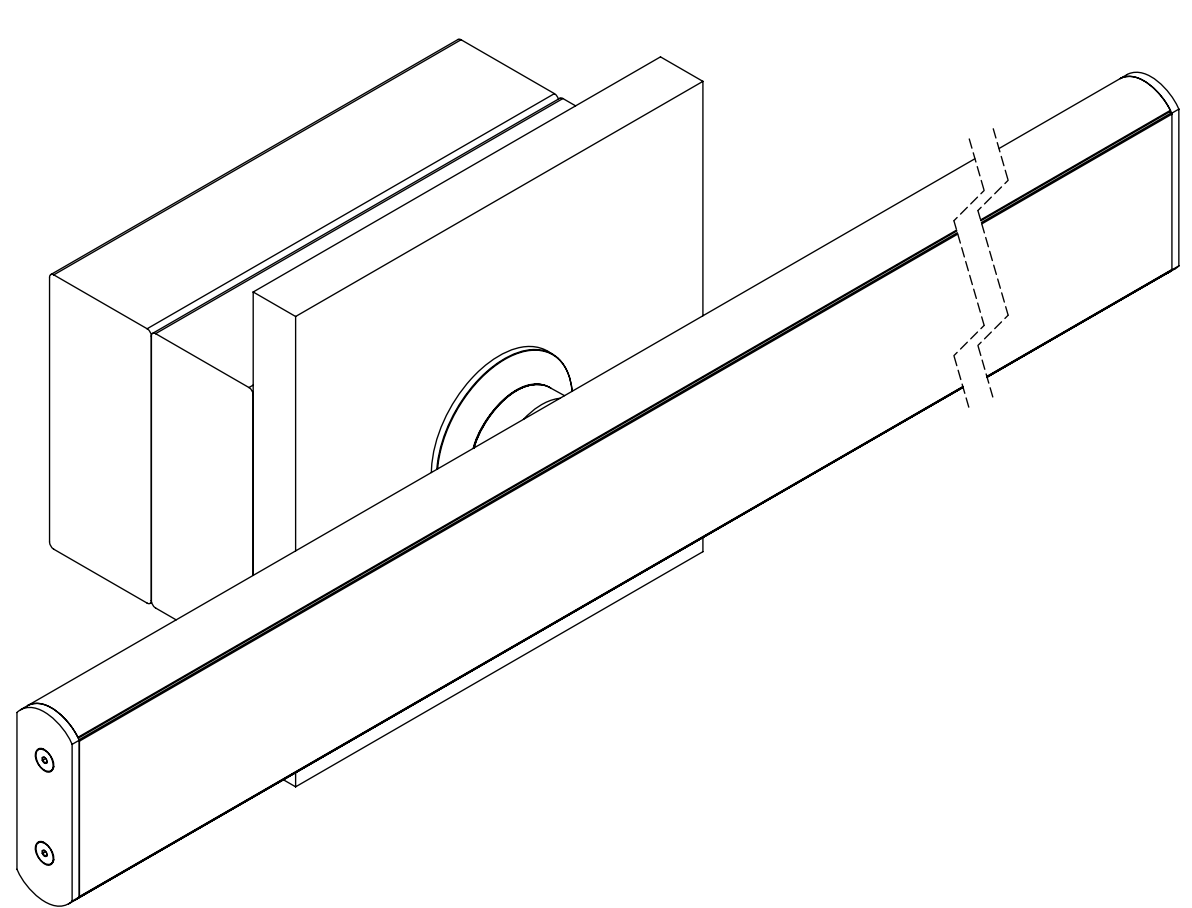
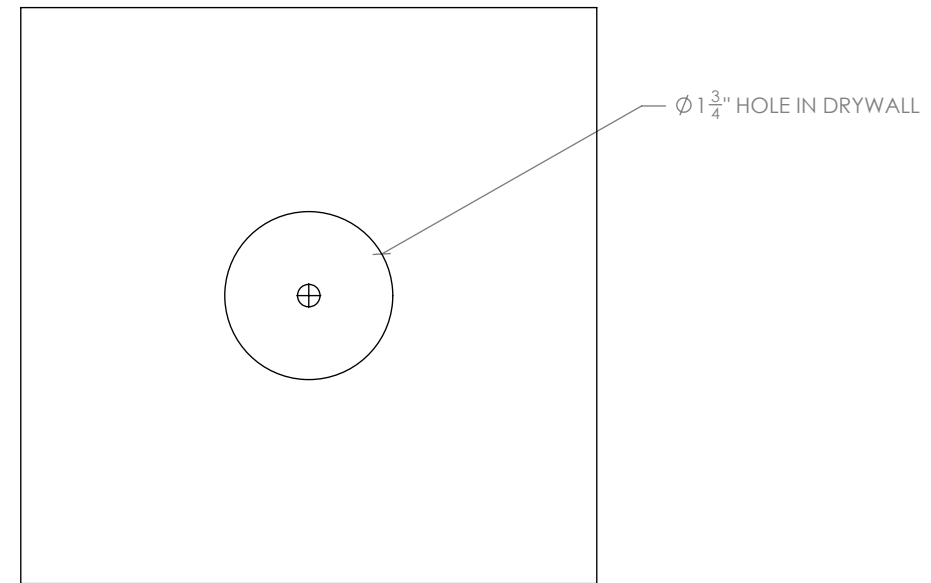
TRACK SHIMS ARE DESIGNED TO BE INSTALLED AGAINST TRACK




DOCUMENT:	PRODUCT SPECIFICATIONS - STANDARD TRACK MOUNTING POINT	DOOR APPLICATION:	SINGLE, BI-PARTING, BYPASSING	DRAWING SCALE:	6" = 1'-0" (1:2)	KROWNLAB 2351 NW York St. Portland, OR 97210 +1 503 292 6998 www.krownlab.com support@krownlab.com
SYSTEM:	TRU-LEVEL™ TRACK	PANEL THICKNESS:	TROLLEY SYSTEM AND TRACK CONFIGURATION DEPENDENT	UNITS:	INCHES	
MOUNTING STYLE:	FRAMED WALL	MAXIMUM WEIGHT:	TROLLEY SYSTEM AND TRACK CONFIGURATION DEPENDENT	DATE:	11/14/2023	

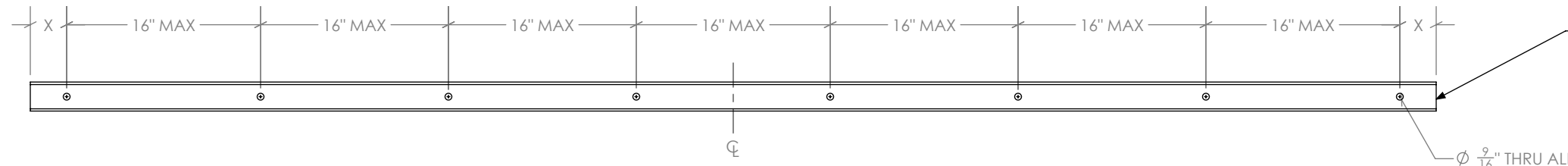


\* = SEE PRODUCT SPECIFIC INSTALLATION INSTRUCTIONS FOR APPLICABLE OPTIONS



DOCUMENT:	PRODUCT SPECIFICATIONS - UNDRILLED TRACK DRILL PATTERN GUIDE	DOOR APPLICATION:	SINGLE & BI-PARTING	DRAWING SCALE:	1" = 1'-0" (1:12)	KROWNLAB 2351 NW York St. Portland, OR 97210 +1 503 292 6998 www.krownlab.com support@krownlab.com	
SYSTEM:	TRU-LEVEL™ TRACK	PANEL THICKNESS:	TROLLEY SYSTEM DEPENDENT	UNITS:	INCHES		
MOUNTING STYLE:	FRAMED WALL	MAXIMUM WEIGHT:	SEE BELOW	DATE:	3/6/2024		

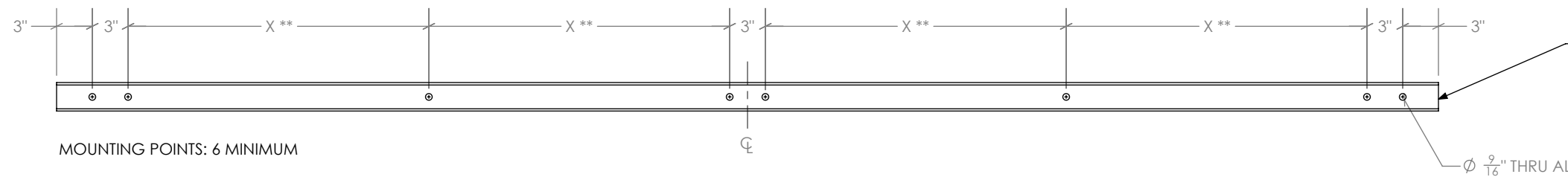
STUD DRILL PATTERN: UP TO 250 LBS\* WITH 1" MAXIMUM TRACK STANDOFF. UP TO 200 LBS WITH 1-3/4" MAXIMUM TRACK STANDOFF.



PANEL WEIGHT	X	MOUNTING POINTS
UP TO 100 LBS	5"	4 MINIMUM
101 TO 200 LBS	4"	6 MINIMUM
201 TO 250 LBS	3"	6 MINIMUM

"X" IS THE MAXIMUM LENGTH OF TRACK ALLOWED BEYOND END MOUNTING POINTS

STRUCTURAL BLOCKING DRILL PATTERN: UP TO 400 LBS\* WITH MAXIMUM 1" TRACK STANDOFF.



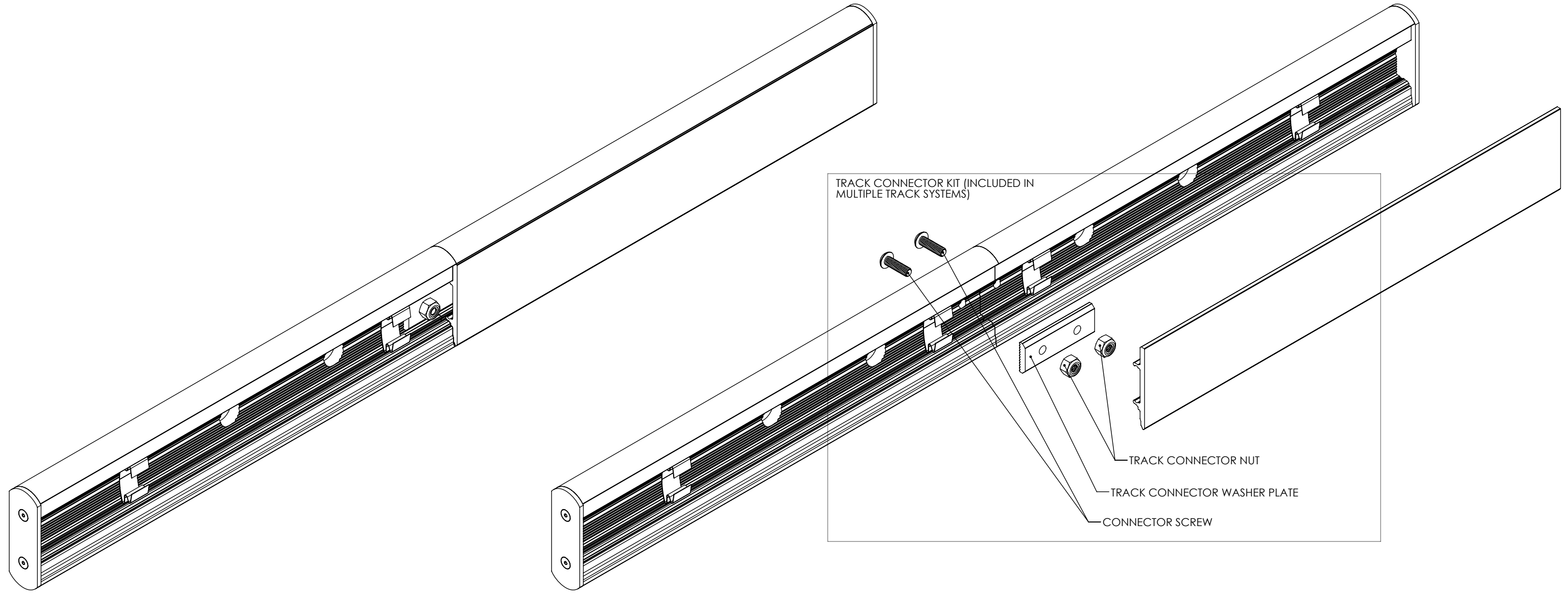
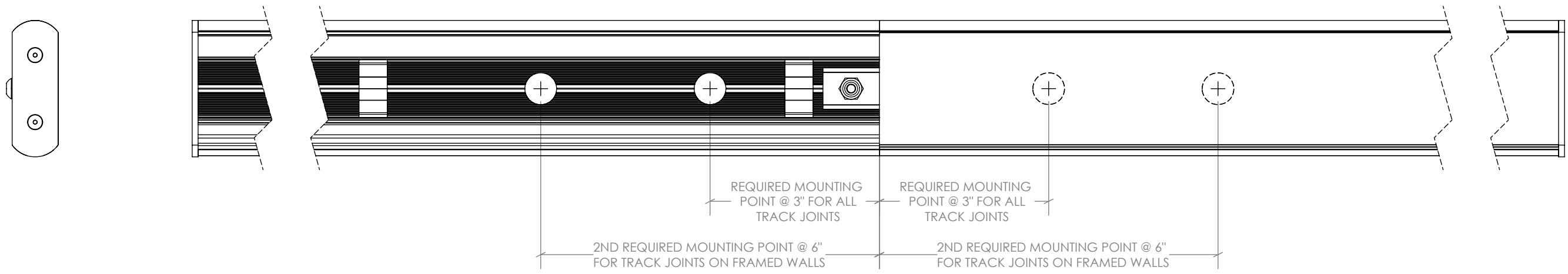
MOUNTING POINTS: 6 MINIMUM

\*\* = EVENLY SPACED

SPAN (X)	MAX. PANEL WEIGHT
UP TO 28"	200 LB.
UP TO 24"	400 LB.

\* WEIGHT LIMIT MAY BE FURTHER RESTRICTED BY TROLLEY SYSTEM

DOCUMENT:	PRODUCT SPECIFICATIONS - TRACK CONNECTOR	DOOR APPLICATION:	SINGLE & BI-PARTING	DRAWING SCALE:	6" = 1'-0" (1:2)	KROWNLAB 2351 NW York St. Portland, OR 97210 +1 503 292 6998 www.krownlab.com support@krownlab.com
SYSTEM:	TRU-LEVEL™ TRACK	PANEL THICKNESS:	TROLLEY SYSTEM AND TRACK CONFIGURATION DEPENDENT	UNITS:	INCHES	
MOUNTING STYLE:	ALL WALL TYPES	MAXIMUM WEIGHT:	TROLLEY SYSTEM AND TRACK CONFIGURATION DEPENDENT	DATE:	11/16/2023	






DOCUMENT:	PRODUCT SPECIFICATIONS - PERPENDICULAR TRACK MOUNTING POINT
SYSTEM:	TRU-LEVEL™ TRACK
MOUNTING STYLE:	FRAMED WALL, TILED WALL, GLASS WALL

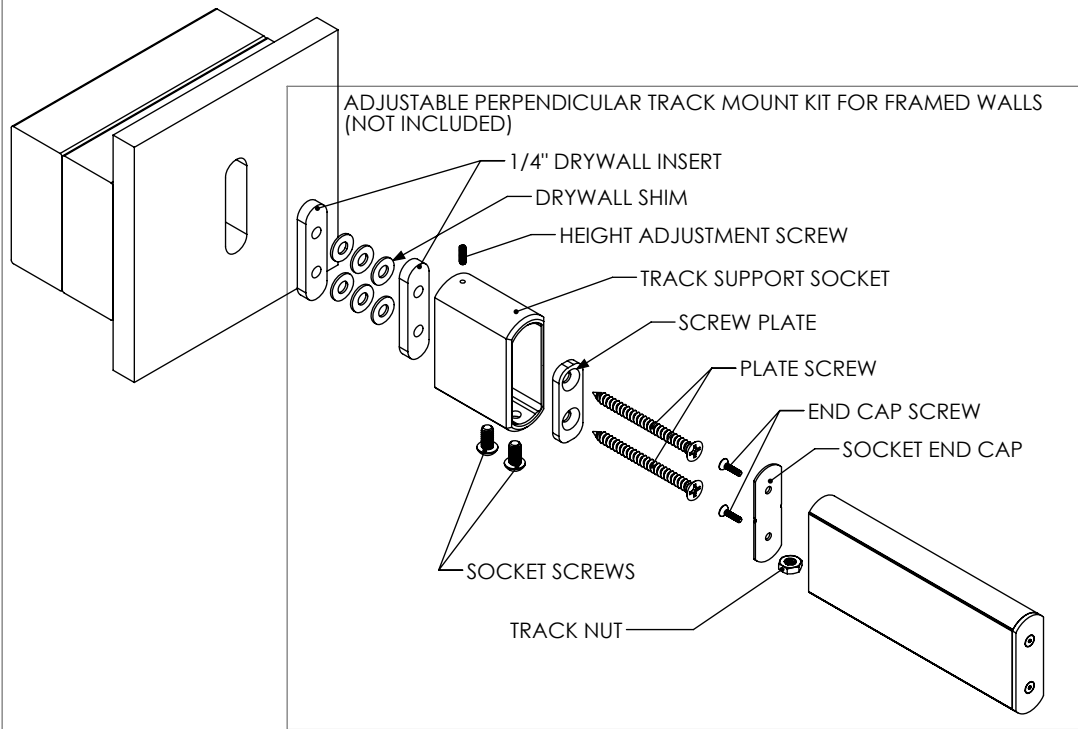
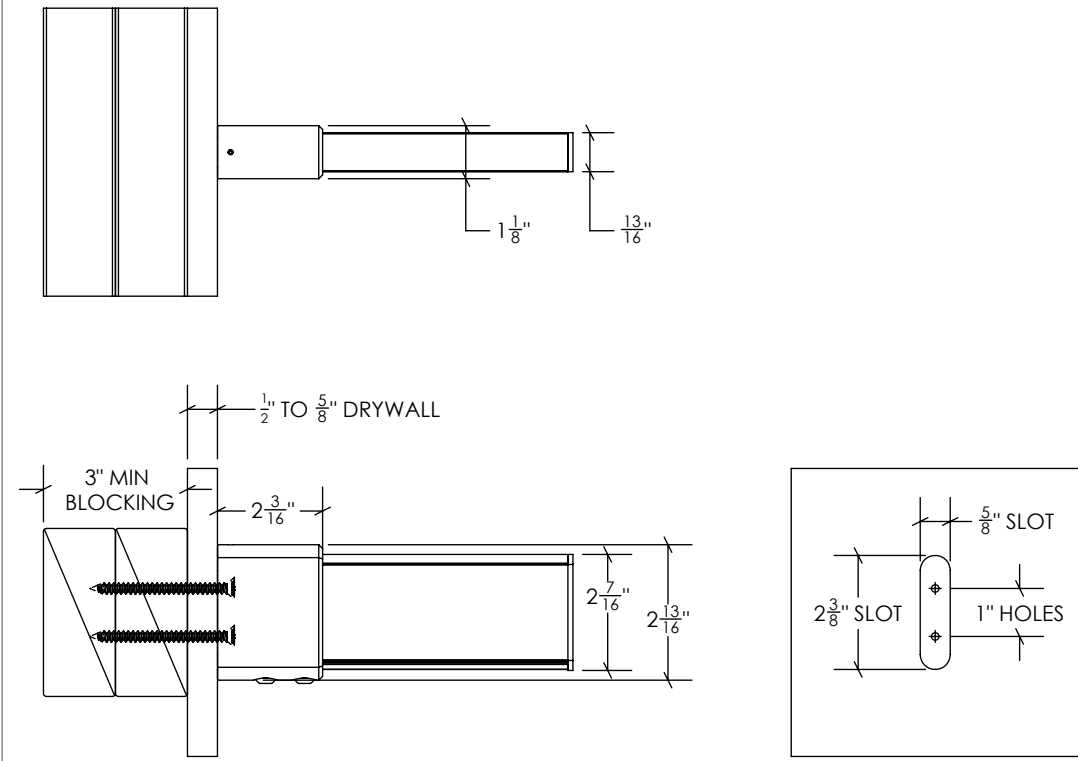
DOOR APPLICATION:	SINGLE, BI-PARTING, BYPASSING
PANEL THICKNESS:	3/8" TO 1/2" (CONTACT US FOR PANELS OUTSIDE OF THIS RANGE)
MAXIMUM WEIGHT:	TROLLEY SYSTEM AND TRACK CONFIGURATION DEPENDENT

DRAWING SCALE:	3/4" = 1'-0" (1:16)
UNITS:	INCHES
DATE:	11/16/2023

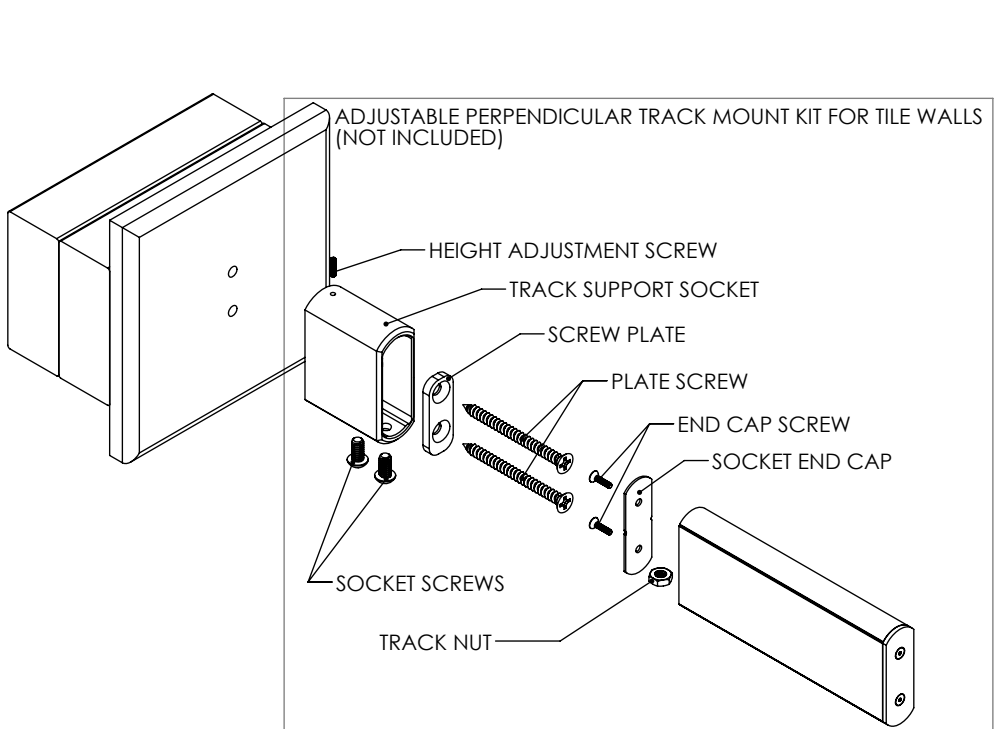
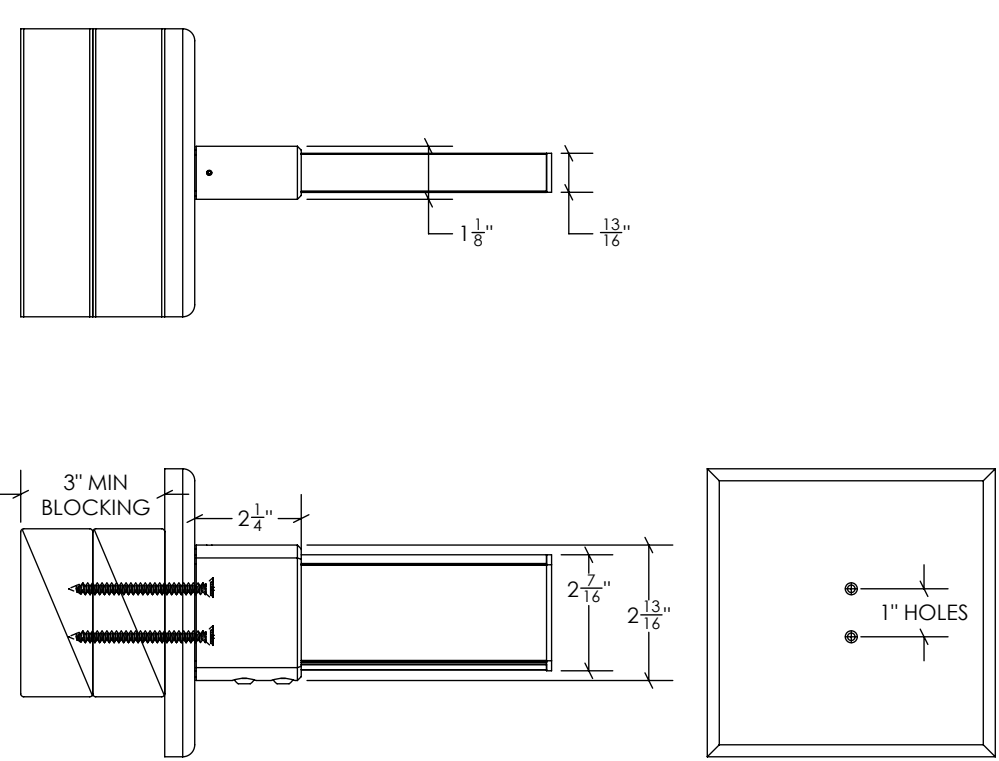
KROWNLAB  
2351 NW York St.  
Portland, OR 97210  
+1 503 292 6998  
www.krownlab.com  
support@krownlab.com



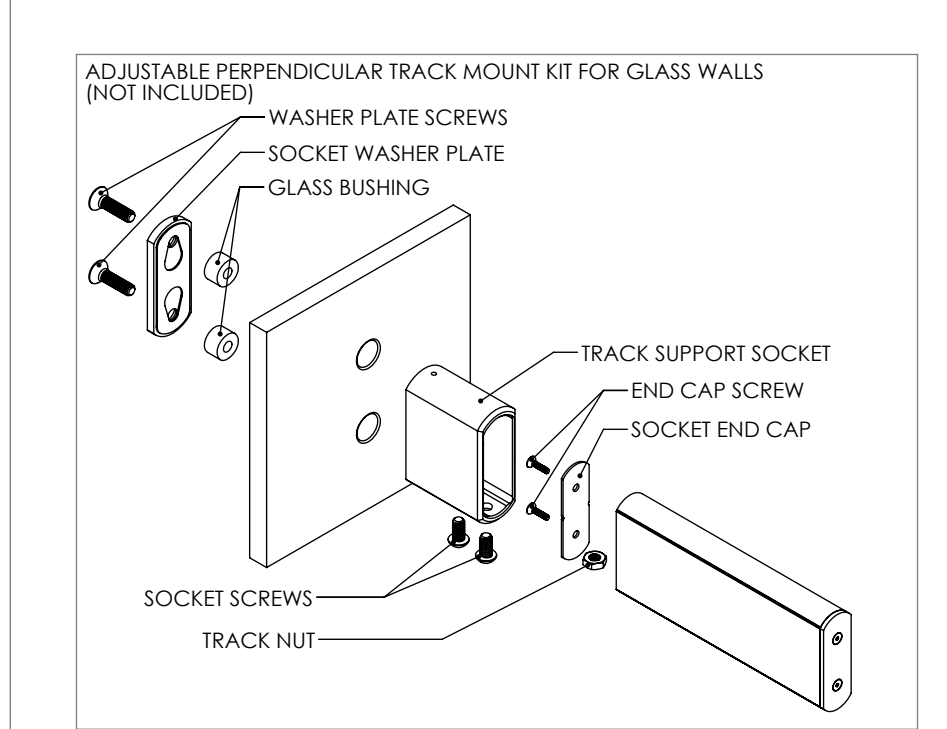
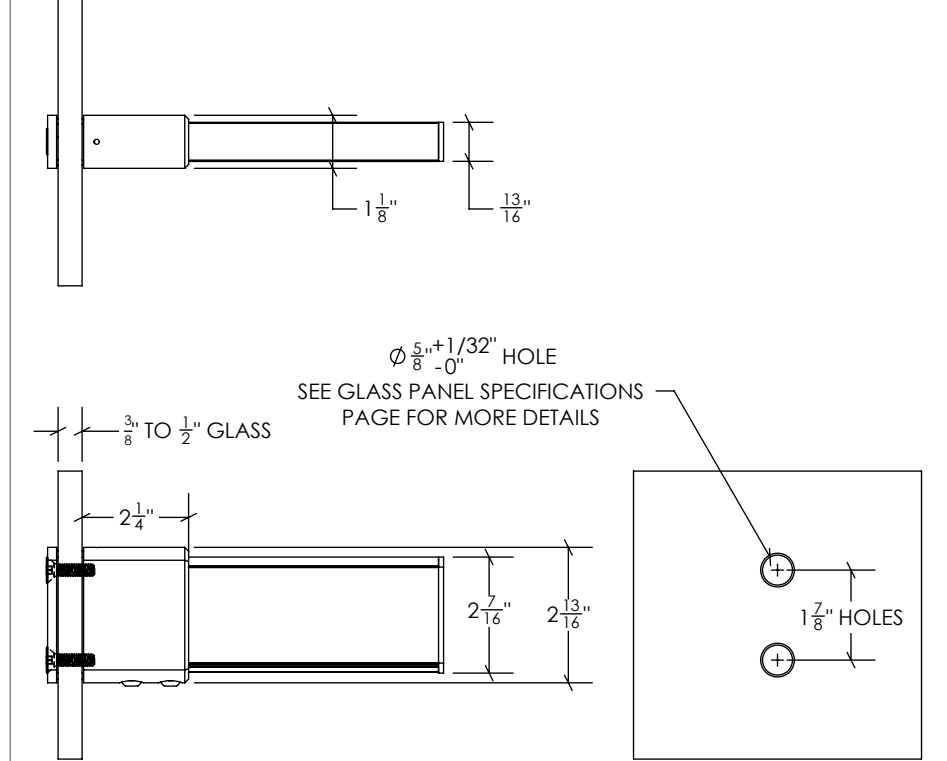
PERPENDICULAR FRAMED WALL  
SCALE: 3" = 1'-0" (1:4)



PERPENDICULAR TILE WALL  
SCALE: 3" = 1'-0" (1:4)



PERPENDICULAR GLASS WALL  
SCALE: 3" = 1'-0" (1:4)

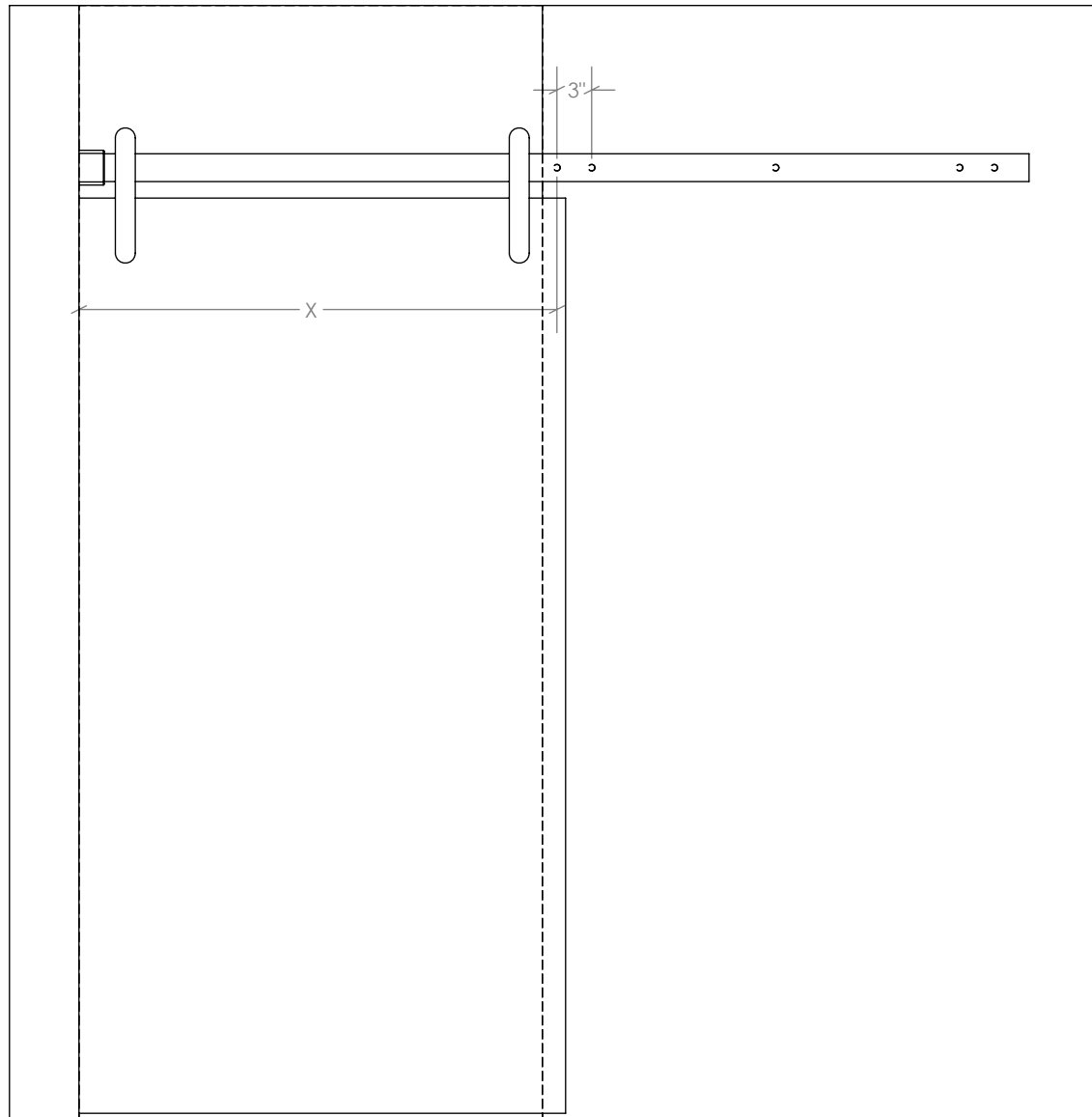


DOCUMENT:	PRODUCT SPECIFICATIONS - PERPENDICULAR TRACK MOUNTING POINT	DOOR APPLICATION:	SINGLE	DRAWING SCALE:	3/4" = 1'-0" (1:16)	KROWNLAB 2351 NW York St. Portland, OR 97210 +1 503 292 6998 www.krownlab.com support@krownlab.com
SYSTEM:	TRU-LEVEL™ TRACK	PANEL THICKNESS:	TROLLEY SYSTEM DEPENDENT	UNITS:	INCHES	
MOUNTING STYLE:	FRAMED WALL	MAXIMUM WEIGHT:	TROLLEY SYSTEM AND TRACK CONFIGURATION DEPENDENT	DATE:	12/28/2018	



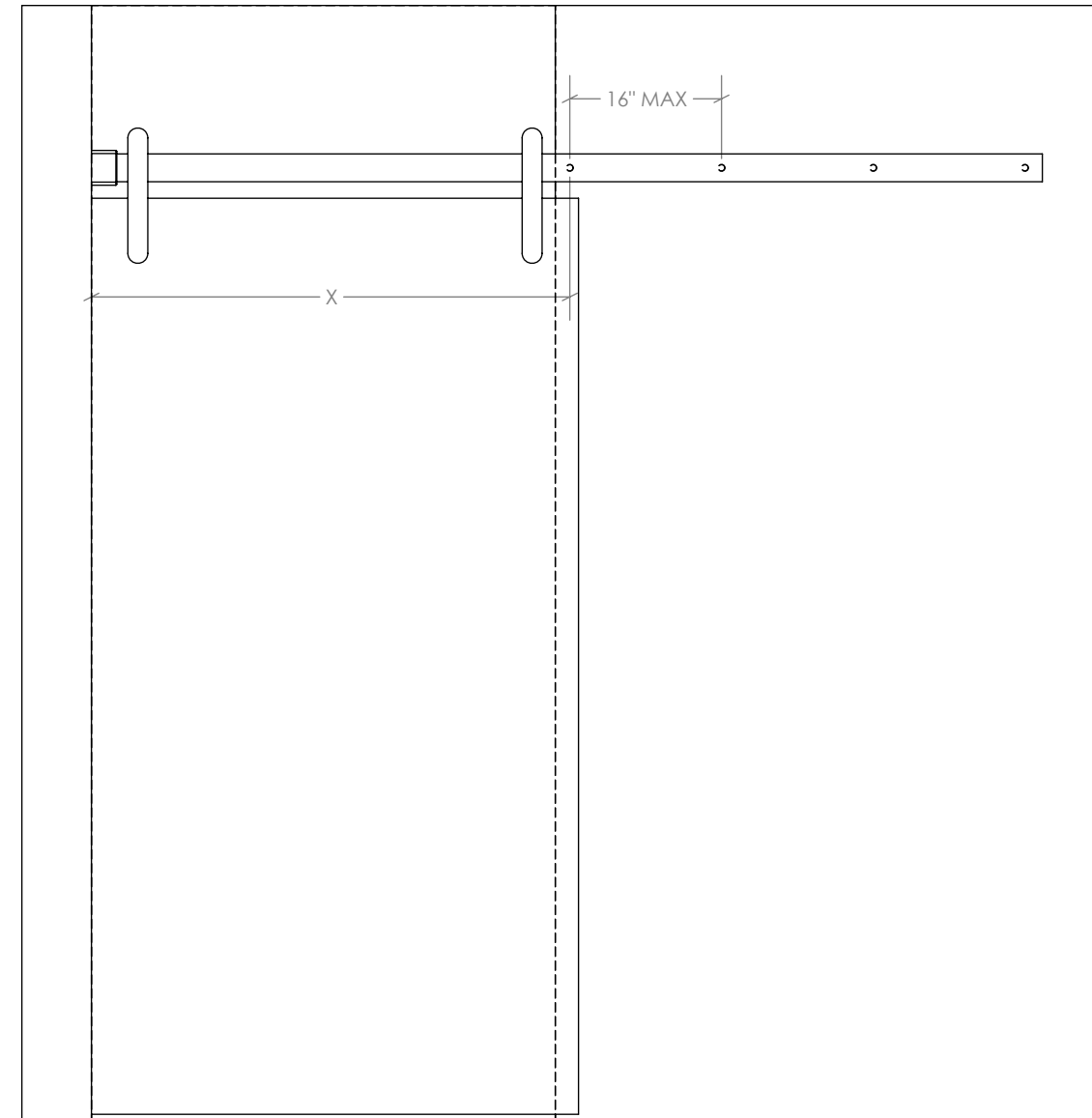
**INSTALLED INTO STRUCTURAL BLOCKING (OPTIMAL)**

SPAN (X)	MAX. PANEL WEIGHT
UP TO 38"	300lb
UP TO 44"	275lb
UP TO 50"	250lb
UP TO 62"	225lb



**INSTALLED INTO WOOD STUDS**

SPAN (X)	MAX. PANEL WEIGHT
UP TO 38"	150lb
UP TO 44"	125lb
UP TO 50"	100lb

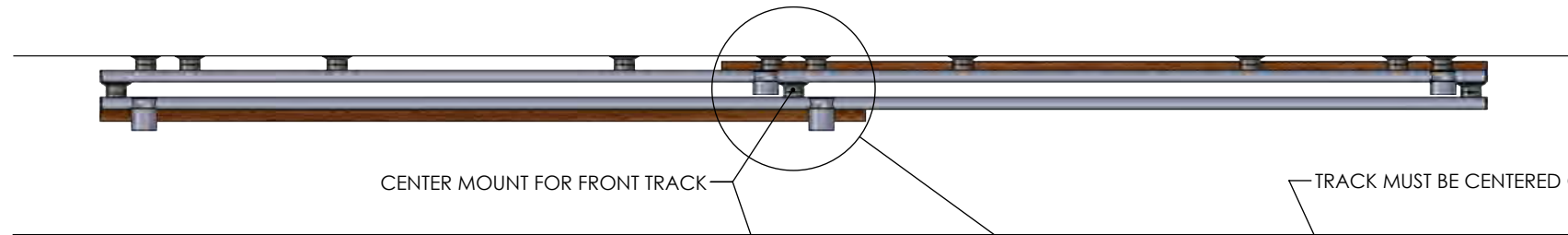


DOCUMENT:	PRODUCT SPECIFICATIONS - BYPASSING WITH CENTER MOUNT	DOOR APPLICATION:	BYPASSING	DRAWING SCALE:	1" = 1'-0" (1:12)	KROWNLAB 2351 NW York St. Portland, OR 97210 +1 503 292 6998 www.krownlab.com support@krownlab.com
SYSTEM:	TRU-LEVEL™ TRACK	PANEL THICKNESS:	TROLLEY SYSTEM AND BYPASSING DEPENDENT	UNITS:	INCHES	
MOUNTING STYLE:	FRAMED WALL	MAXIMUM WEIGHT:	TROLLEY SYSTEM AND TRACK LENGTH DEPENDENT	DATE:	9/13/2019	



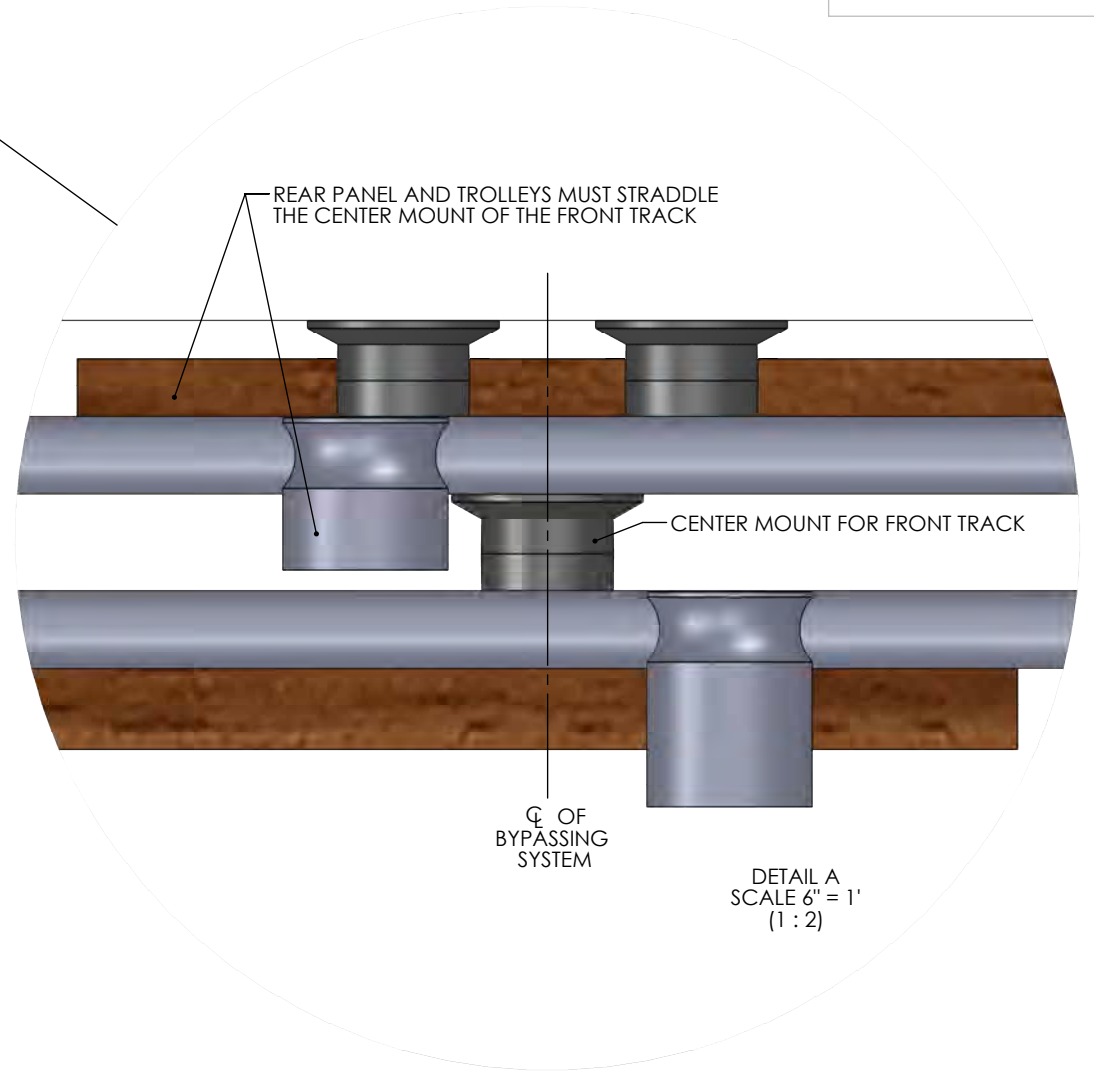
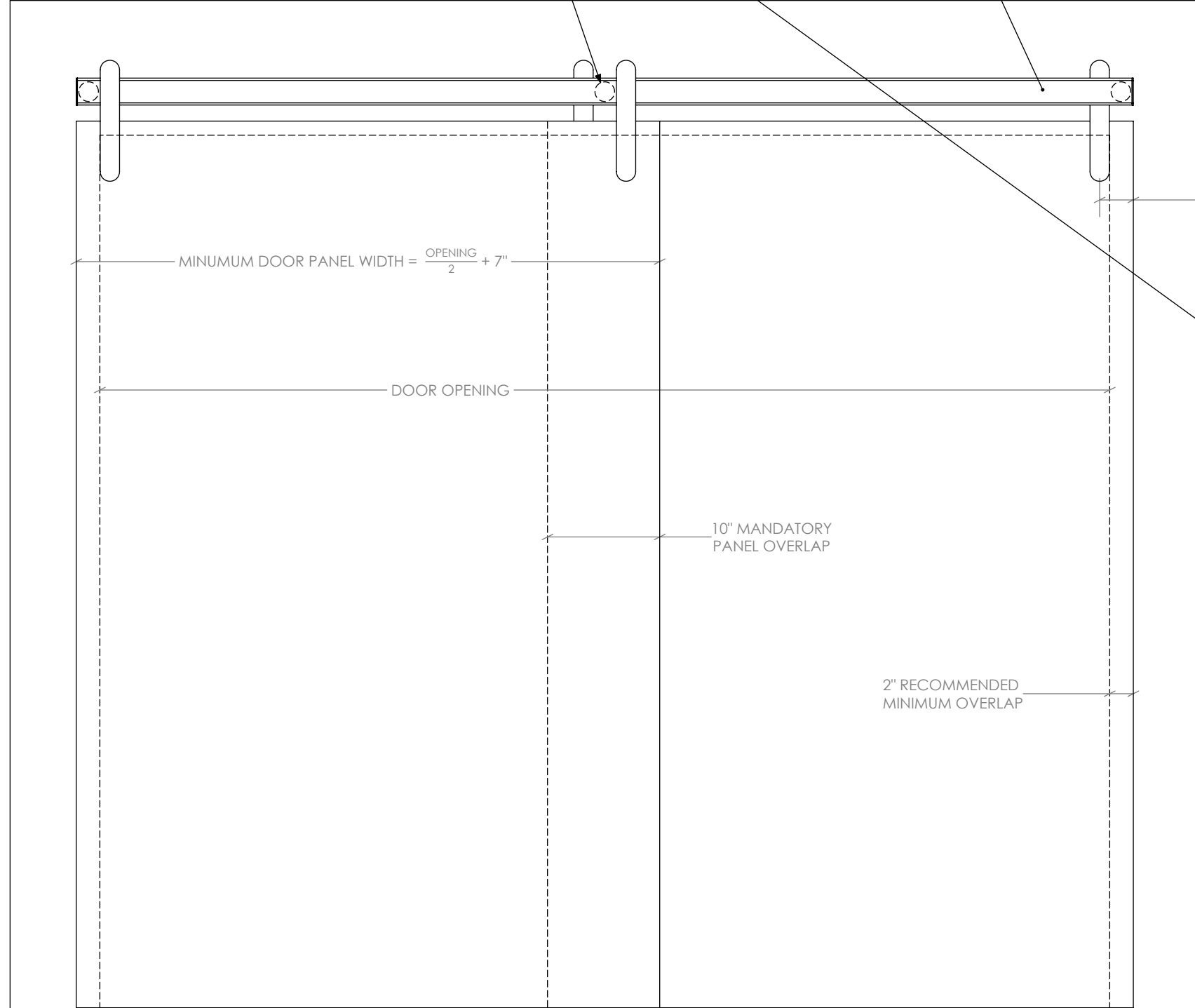
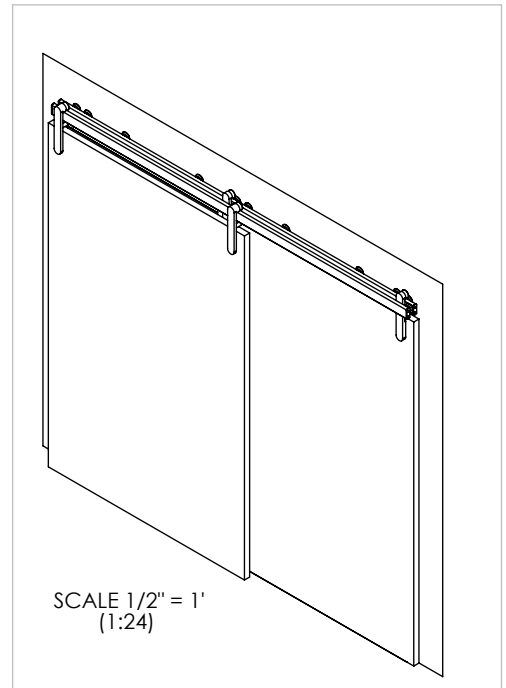
BYPASSING TRACKS ARE ONLY AVAILABLE MADE-TO-MEASURE AND PRE-DRILLED.  
 IT IS RECOMMENDED TO CONTACT US BEFORE ORDERING DOOR PANELS TO OPTIMIZE DOOR TRAVEL.

COMBINED TOTAL PANEL WIDTH SHOULD BE WIDER THAN THE OPENING BY 14" MINIMUM TO OPTIMIZE DOOR TRAVEL:



TRACK LENGTH	MAX. PANEL WEIGHT*
UP TO 9FT	225lb
UP TO 11FT	200lb
UP TO 12FT	175lb

\*EACH PANEL

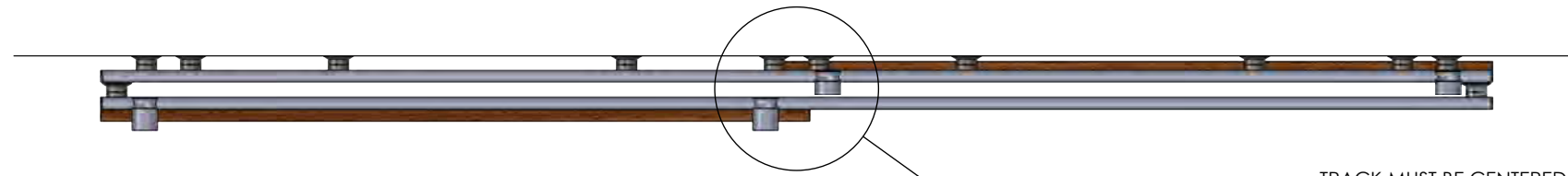


DOCUMENT:	PRODUCT SPECIFICATIONS - BYPASSING WITHOUT CENTER MOUNT	DOOR APPLICATION:	BYPASSING	DRAWING SCALE:	1" = 1'-0" (1:12)	KROWNLAB 2351 NW York St. Portland, OR 97210 +1 503 292 6998 www.krownlab.com support@krownlab.com
SYSTEM:	TRU-LEVEL™ TRACK	PANEL THICKNESS:	TROLLEY SYSTEM AND BYPASSING DEPENDENT	UNITS:	INCHES	
MOUNTING STYLE:	FRAMED WALL	MAXIMUM WEIGHT:	TRACK LENGTH DEPENDENT	DATE:	11/30/2018	



BYPASSING TRACKS ARE ONLY AVAILABLE MADE-TO-MEASURE AND PRE-DRILLED.  
IT IS RECOMMENDED TO CONTACT US BEFORE ORDERING DOOR PANELS TO OPTIMIZE DOOR TRAVEL.

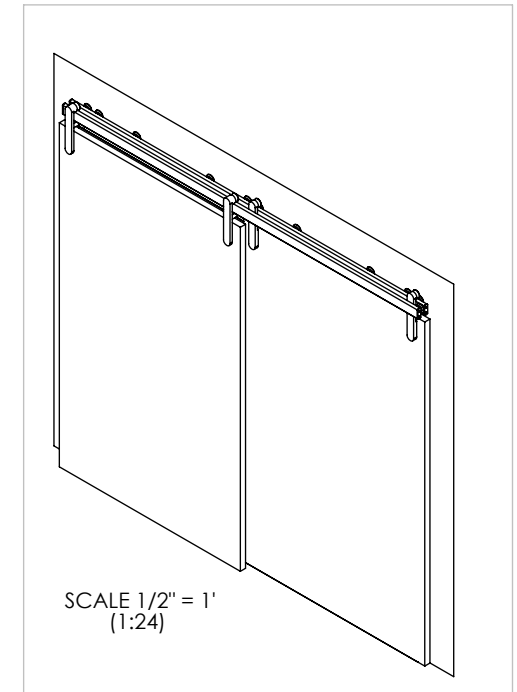
COMBINED TOTAL PANEL WIDTH SHOULD BE WIDER THAN THE OPENING BY 6" MINIMUM TO OPTIMIZE DOOR TRAVEL:



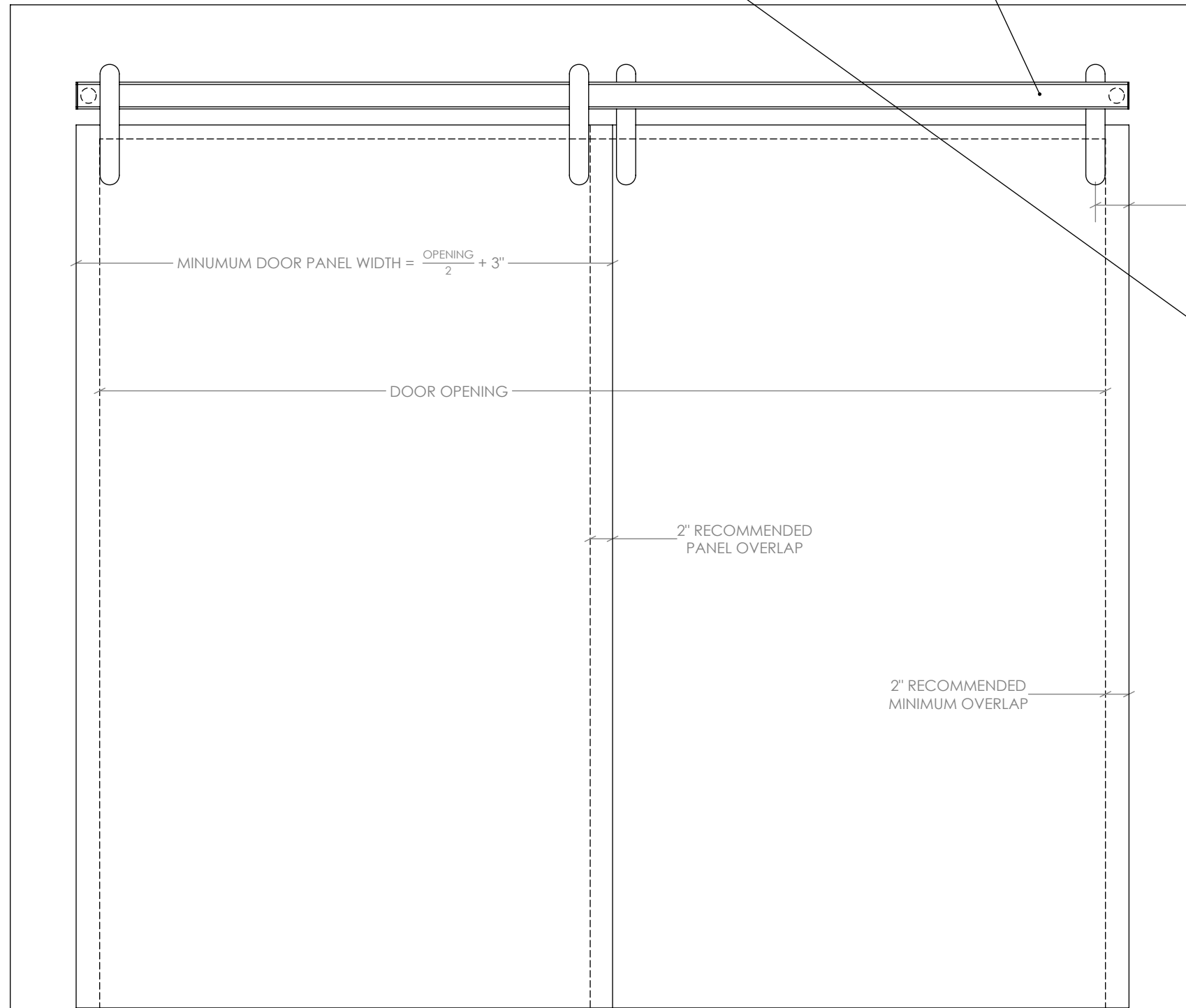
TRACK MUST BE CENTERED OVER OPENING

TRACK LENGTH	MAX. PANEL WEIGHT*
UP TO 4FT	150lb
UP TO 5FT	125lb
UP TO 6FT	85lb

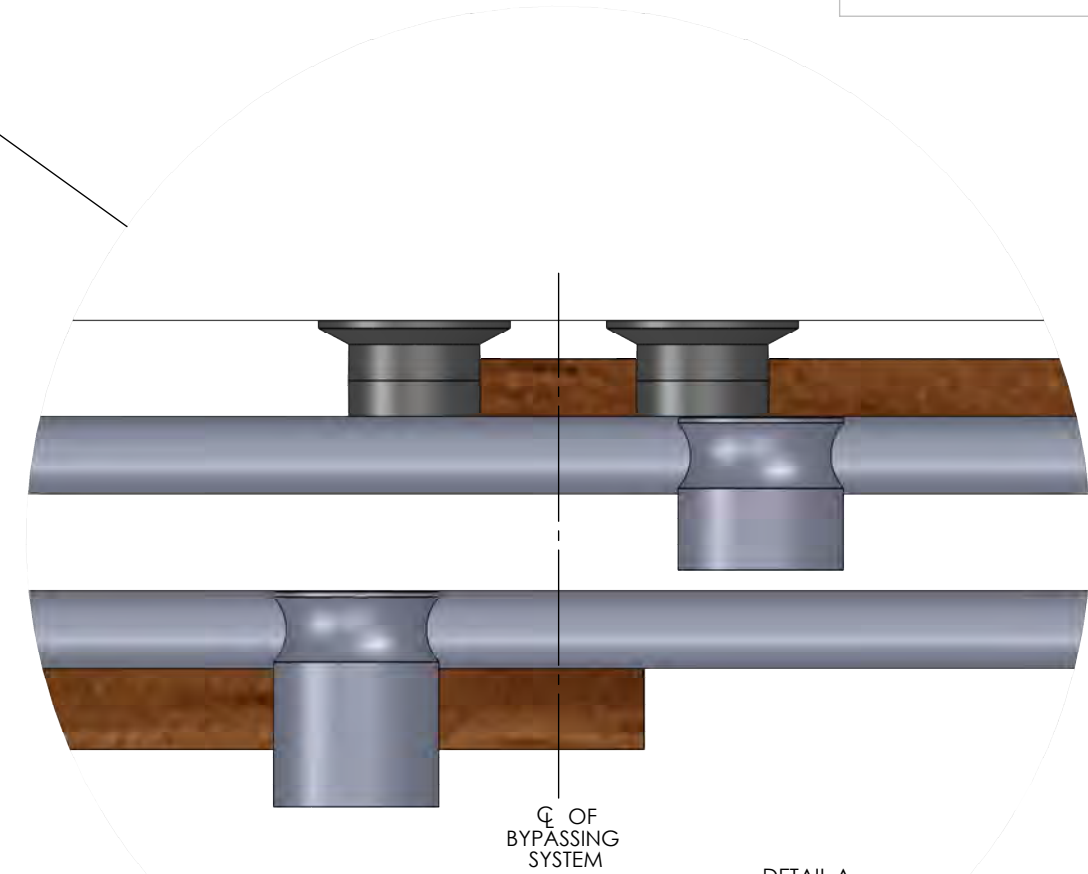
\*EACH PANEL



SCALE 1/2" = 1'  
(1:24)



3" MINIMUM FOR BYPASSING SYSTEMS



☐ OF BYPASSING SYSTEM

DETAIL A  
SCALE 6" = 1'  
(1 : 2)

DOCUMENT:	PRODUCT SPECIFICATIONS - BYPASSING STACKED	DOOR APPLICATION:	BYPASSING STACKED	DRAWING SCALE:	1" = 1'-0" (1:12)	KROWNLAB 2351 NW York St. Portland, OR 97210 +1 503 292 6998 www.krownlab.com support@krownlab.com
SYSTEM:	TRU-LEVEL™ TRACK	PANEL THICKNESS:	TROLLEY SYSTEM AND BYPASSING DEPENDENT	UNITS:	INCHES	
MOUNTING STYLE:	FRAMED WALL	MAXIMUM WEIGHT:	TROLLEY SYSTEM, TRACK LENGTH AND TRACK CONFIG. DEPENDENT	DATE:	11/30/2018	



BYPASSING STACKED TRACKS ARE ONLY AVAILABLE MADE-TO-MEASURE AND PRE-DRILLED.  
IT IS RECOMMENDED TO CONTACT US BEFORE ORDERING DOOR PANELS TO OPTIMIZE DOOR TRAVEL.

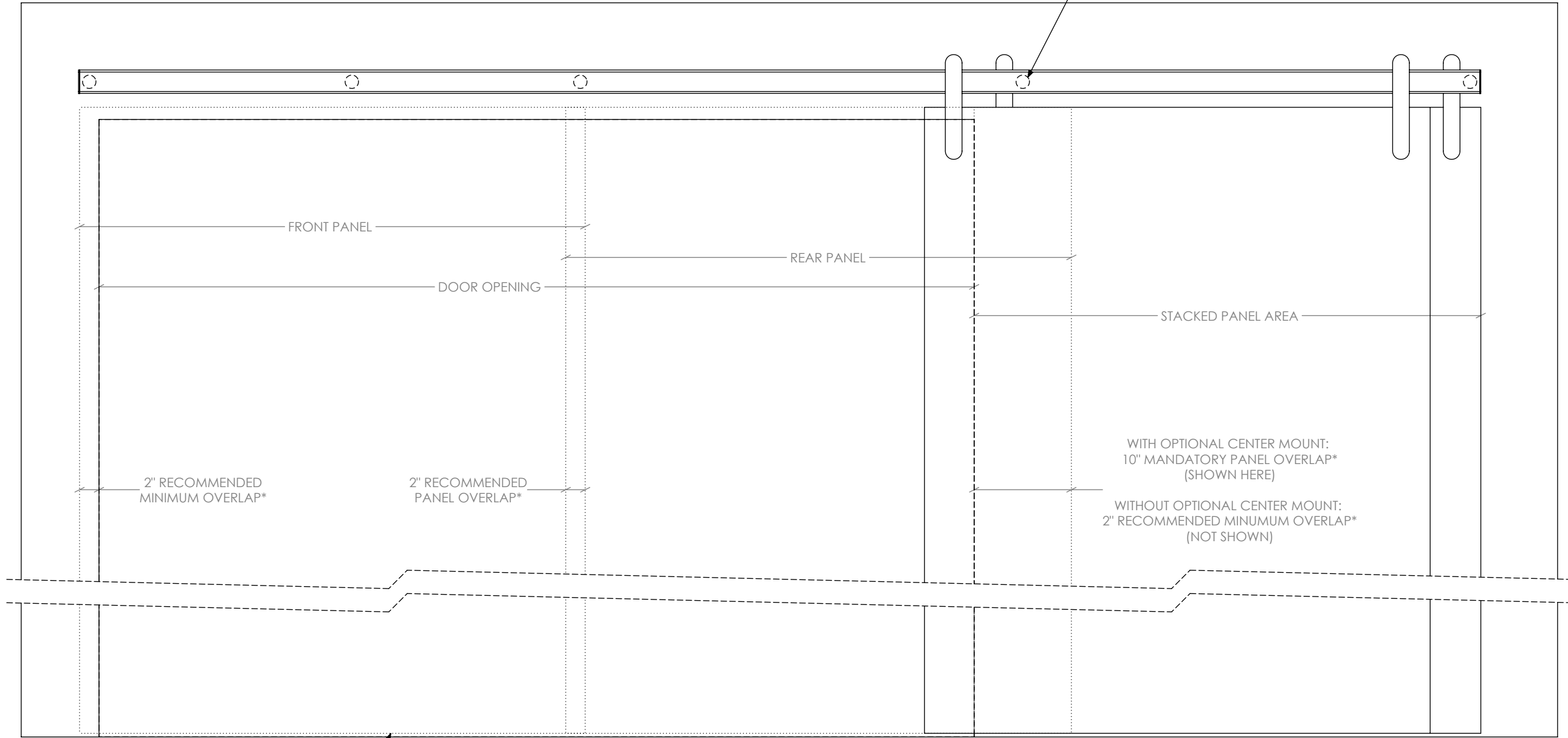
COMBINED TOTAL PANEL WIDTH SHOULD BE WIDER THAN THE OPENING BY THE FOLLOWING AMOUNT TO OPTIMIZE DOOR TRAVEL:  
WITH OPTIONAL CENTER MOUNT: 14" MINIMUM\*  
WITHOUT OPTIONAL CENTER MOUNT: 6" MINIMUM\*

**FRONT TRACK SUPPORT REGION**  
ONLY THE FRONT PANEL CAN REACH THIS SECTION.

**BYPASSING TRACK REGION (WITH OR WITHOUT OPTIONAL CENTER MOUNT)**  
THE REAR PANEL IS RESTRICTED TO MOVEMENT WITHIN THIS SECTION.



OPTIONAL CENTER MOUNT (SEE PREVIOUS PAGES FOR MAX PANEL WEIGHT IMPLICATIONS)



FRONT PANEL WILL REQUIRE SPECIAL BOTTOM GUIDE ACCOMODATIONS. CONTACT KROWNLAB FOR DETAILS.

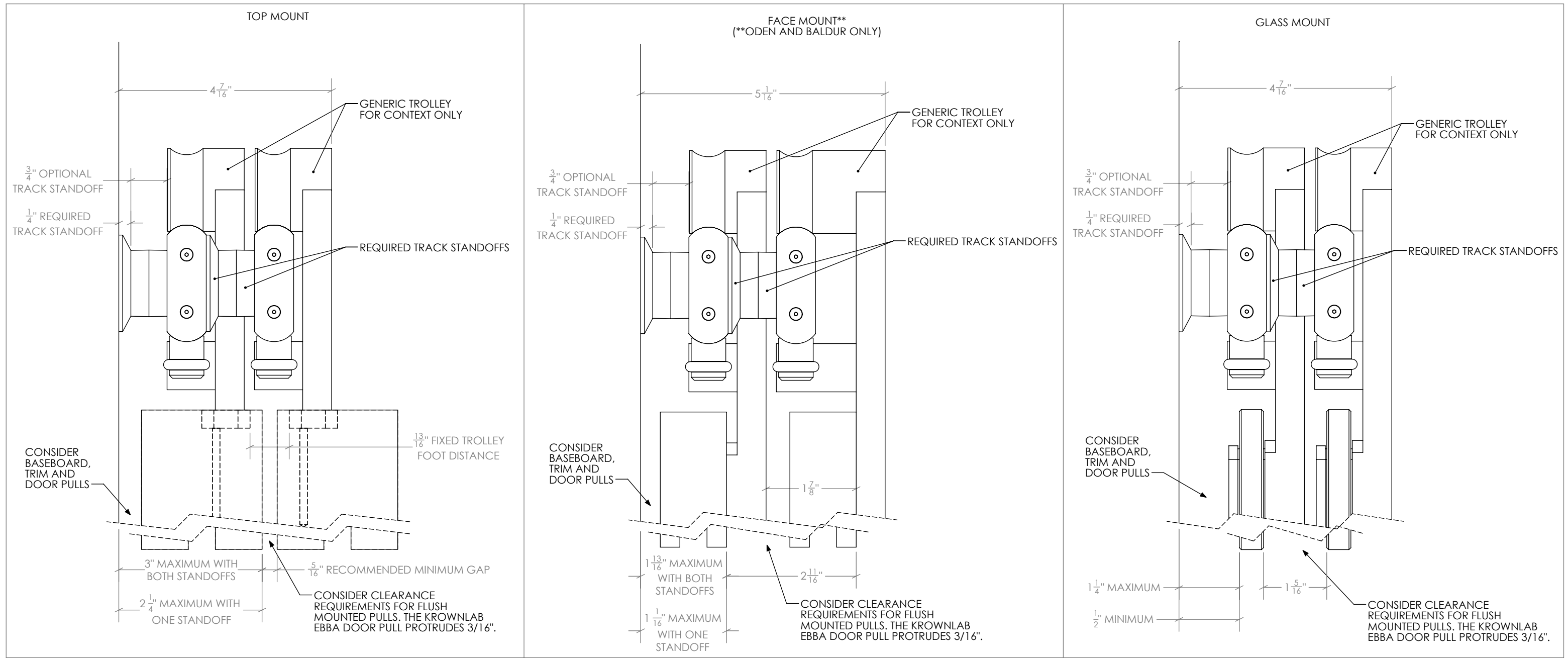
\* = THESE ARE MINIMUMS. EXCEEDING THESE VALUES IS RECOMMENDED TO INCREASE PRIVACY IN SOME INSTALLATIONS.

DOCUMENT:	PRODUCT SPECIFICATIONS - BYPASSING PANEL CLEARANCE	DOOR APPLICATION:	BYPASSING	DRAWING SCALE:	1" = 1'-0" (1:2)	KROWNLAB 2351 NW York St. Portland, OR 97210 +1 503 292 6998 www.krownlab.com support@krownlab.com
SYSTEM:	TRU-LEVEL™ TRACK	PANEL THICKNESS:	TROLLEY SYSTEM AND BYPASSING DEPENDENT	UNITS:	INCHES	
MOUNTING STYLE:	FRAMED WALL	MAXIMUM WEIGHT:	TROLLEY SYSTEM AND TRACK LENGTH DEPENDENT	DATE:	3/19/2021	



MOUNTING STYLE	PANEL THICKNESS*
TOP MOUNT	1-3/8" TO 2-1/2"
FACE MOUNT**	1-1/4" TO 1-1/2"
GLASS MOUNT	3/8" - 1/2"

\*NOT ACCOUNTING FOR BASEBOARD (IF EXISTING) OR OPTIONAL DOOR PULLS  
 \*\*ODEN AND BALDUR ONLY



DOCUMENT:	PRODUCT SPECIFICATIONS - BYPASSING TRACK DRILL PATTERN GUIDE	DOOR APPLICATION:	BYPASSING	DRAWING SCALE:	1" = 1'-0" (1:12)	KROWNLAB 2351 NW York St. Portland, OR 97210 +1 503 292 6998 www.krownlab.com support@krownlab.com
SYSTEM:	TRU-LEVEL™ TRACK	PANEL THICKNESS:	TROLLEY SYSTEM AND BYPASSING DEPENDENT	UNITS:	INCHES	
MOUNTING STYLE:	FRAMED WALL	MAXIMUM WEIGHT:	TROLLEY SYSTEM, TRACK LENGTH AND TRACK CONFIG. DEPENDENT	DATE:	1/19/2024	



BYPASSING TRACKS ARE ONLY AVAILABLE MADE-TO-MEASURE AND PRE-DRILLED.  
 KROWNLAB WILL CONFIGURE THE FRONT AND REAR TRACKS USING THE RULES BELOW:

