

FREYA

BYPASS

A completely customizable frameless glass sliding shower door enclosure hardware system with industry-leading adjustment features both during and after installation. Compliant with commercial ADA opening requirements.

FEATURES

- Configurable for 36" clear openings for ADA Roll-In and Transition compliance.
- ADA compatible door pull force at full panel weight.
- Fast and easy installs with the Tru-Level™ system, providing a full 1/4" vertical and lateral adjustment at all mounting points.
- Easily set and readjust door travel on site, even after install.
- High precision bearings provide silent and smooth door travel.
- Designed in Portland, OR. Proudly Made In The USA.
- 10 year commercial warranty.

SPECIFICATIONS

- Compatible with shower enclosures up to 6'6" wide.
- Track lengths available up to 12' (142") for custom configs.
- Tracks are cut on site to accommodate specific opening width.
- Easily modify track length with common tools.
- Compatible with 5/16" to 1/2" glass thickness.

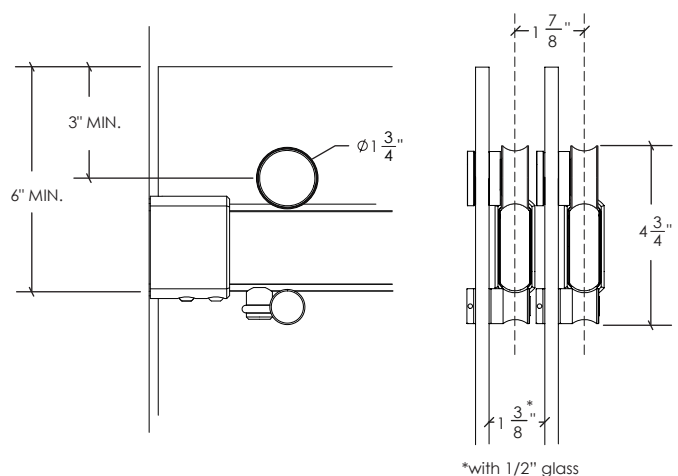
WHAT'S INCLUDED

- 2 x track system with all necessary mounting hardware.
- 4 x door stops.
- 4 x trolleys with all necessary door mounting hardware.
- 2 x door bottom guides.
- Glass and door pulls are not included.

Visit our website for all compatible options and add-ons.

DETAILS

- Standard compatible with glass panels 5/16" to 1/2" thick. Contact us for panels outside of this thickness range.
- Up to 125 lb door weight capacity. Contact us for heavier door panels.



QUICK LOOK

FINISH OPTIONS

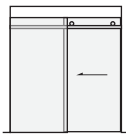


Brushed Stainless

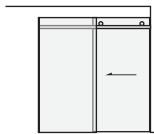


Black Stainless

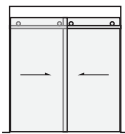
CONFIGURATIONS



Alcove



Corner



Bypass

WEIGHT CAPACITY

125 lb per panel. Contact us for heavier door panels.

MORE INFORMATION

For more information visit: www.krownlab.com/freya

⚠ GLASS IS NOT INCLUDED WITH THE FREYA SYSTEM

ORDERING AND PRICING

For inquiries or to place orders, please contact: support@krownlab.com, or call +1 503 292 6998. Trade discounts and volume pricing available.