

INSTALLATION INSTRUCTIONS

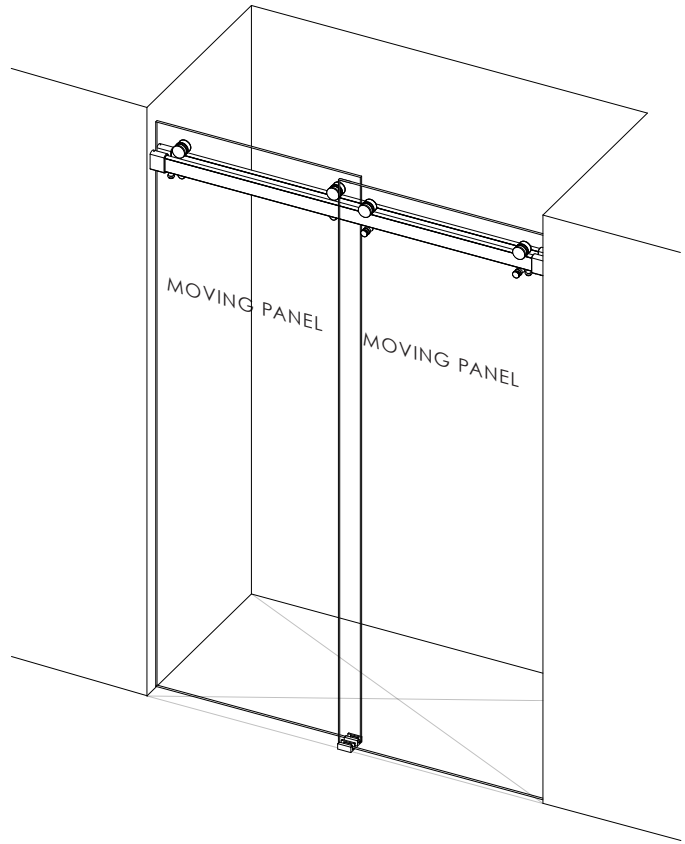
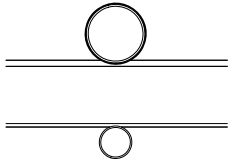


The corresponding Product Specification document is to be comprehensively reviewed prior to product installation takes place.

To deviate, or to not comprehensively and precisely follow all applicable product specifications and installation instructions can result in unsafe or hazardous site conditions that can cause bodily harm or death.

FREYA

ALCOVE, BYPASS



Krownlab products are covered by U.S. patents and trademarks. For more information visit www.krownlab.com

2024-02-20

I. TOOLS + MATERIALS

TOOLS

- Tape measure
- Level
- Stud finder
- Ratchet and Imperial socket set
- Torque wrench capable of measuring up to 110 inch-lbs (9.5 ft-lbs)
- Imperial Allen wrench and bit set
- Standard bit kit with driver
- 3/8" tile or masonry drill bit
- Power drill
- Imperial drill bit index and countersink bit

TOOLS FOR DRILLING AND CUTTING TRACK

- Miter or chop saw and carbide toothed blade
- 9/16" metal drill bit

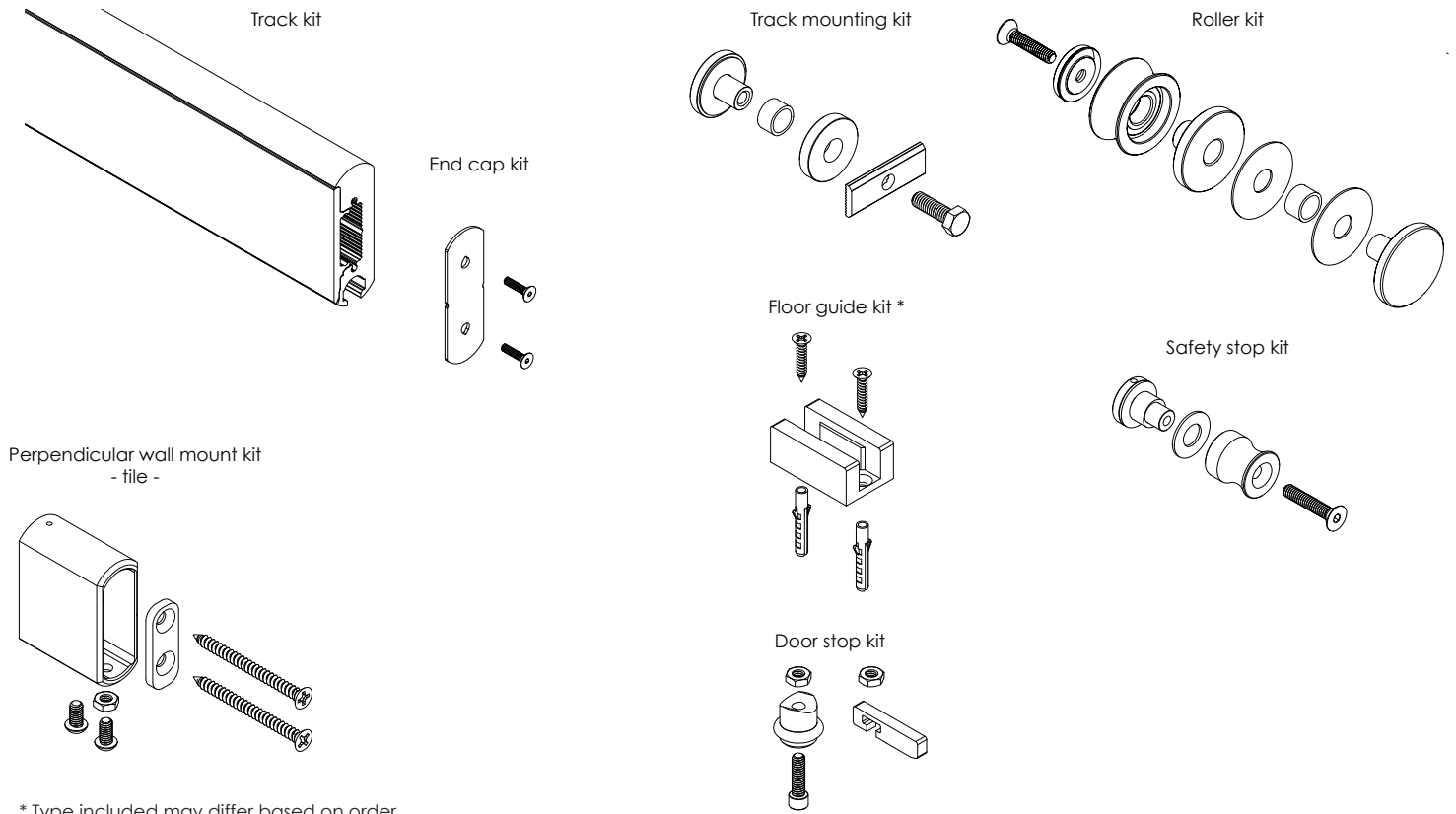
MATERIALS

- Blue painters tape
- Pencil or other non permanent marking tool
- Clear glazing silicone
- Plastic shimming material
- Bottom glazing channel (optional)

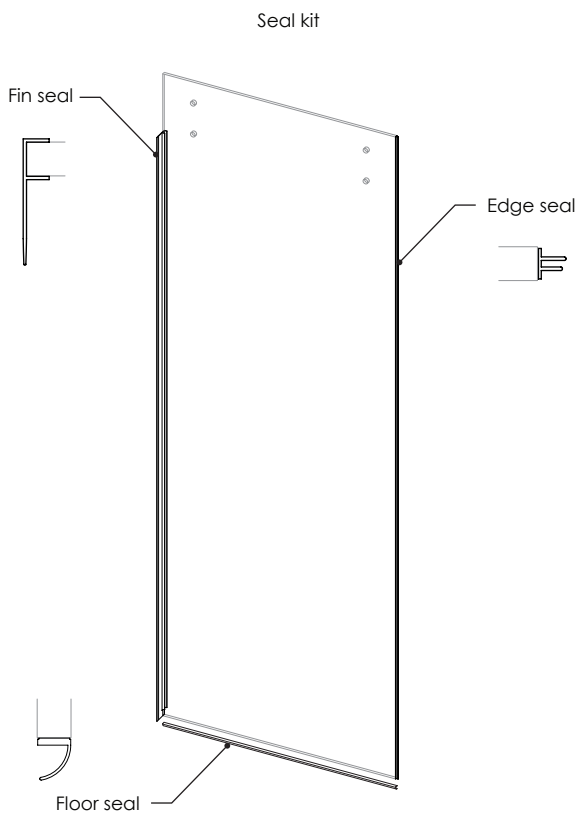
2. VERIFY COMPONENTS

BASE KIT

Quantity included of each item is specific to ordered product configuration.



SYSTEM OPTIONS AND ADDITIONS



Track shim kit



i Go to www.krownlab.com for our complete product range.

3. GLASS INSPECTION

- ❗ Ensure that glass conforms to Krownlab's glass product specifications.
- ① Confirm size, hole placement, and overall preparation per Krownlab's glass panel specifications.
- ② Inspect glass for any defects, including but not limited to chips, deformations, and irregularly shaped holes.
- ❗ Installer is responsible for specifying fixed glass panel structural mounting hardware and methods. Prepare glass per the hardware manufacturers specifications.



Do not install defective glass. Any glass defect is a safety hazard and requires replacement prior to installation.

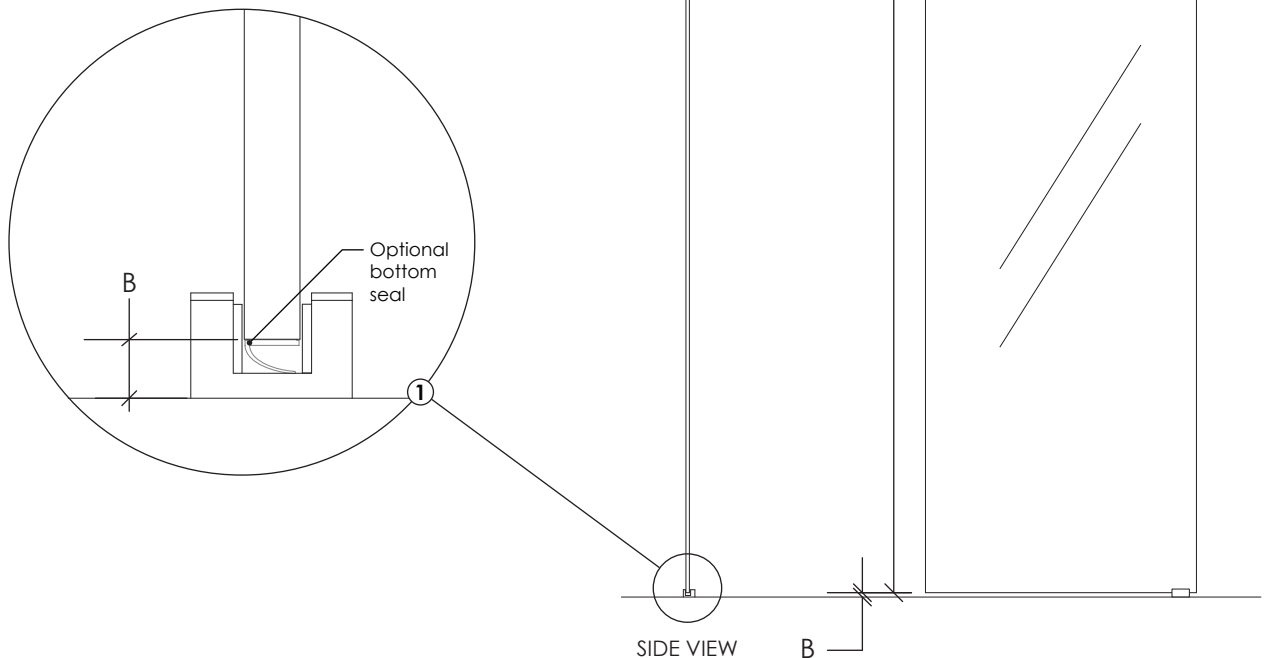


Reference your product's glass specs for additional information:
www.krownlab.com/downloads

4. DETERMINE TRACK CENTERLINE HEIGHT

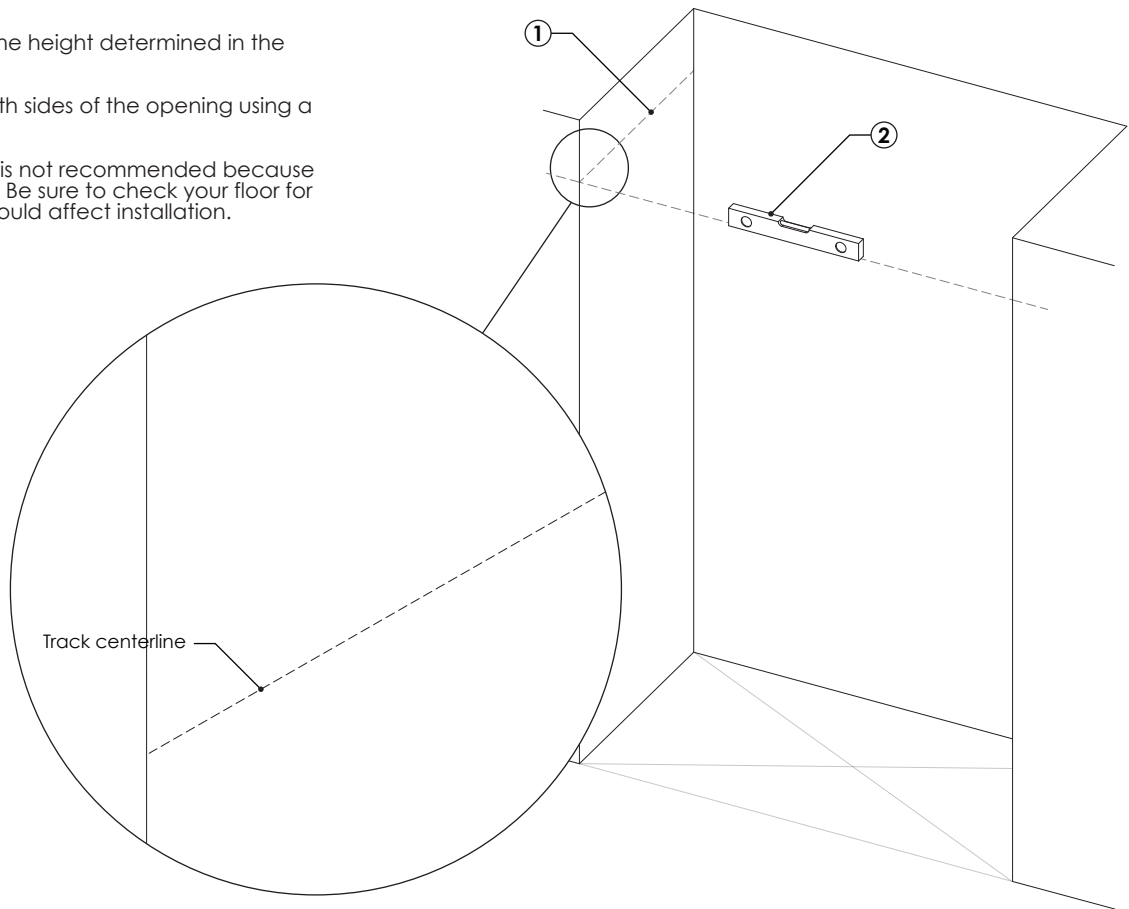
- ① Determine dimension B based on the desired floor treatment:
 - With bottom seal: 1/2"
 - Without bottom seal: 3/8"
- ② Determine the track centerline height:

TRACK CENTERLINE HEIGHT = A (TOP HOLE CENTERLINE TO BOTTOM OF GLASS) + B (FLOOR GUIDE AND SEAL CLEARANCE) - 1-15/16"



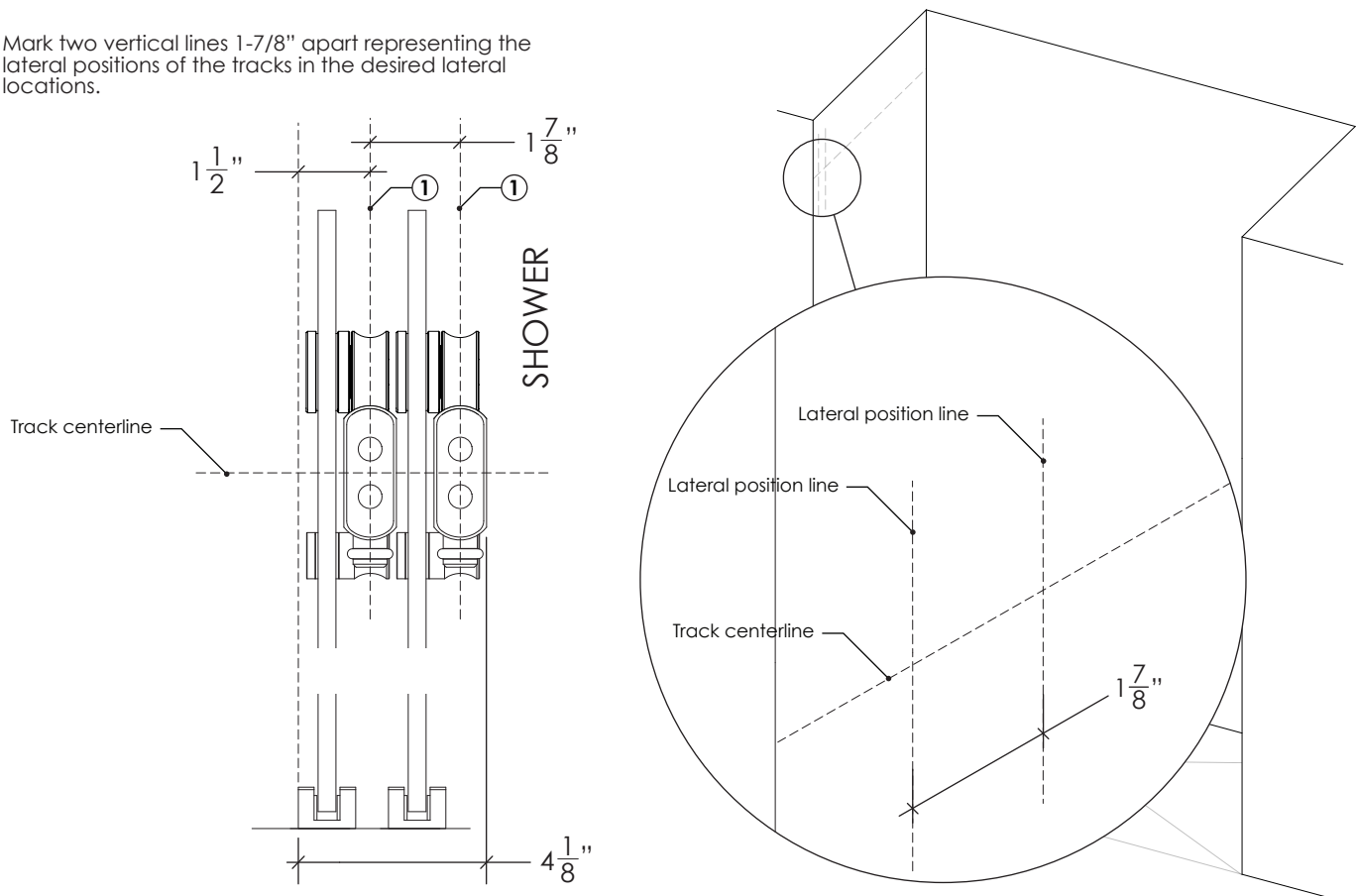
5. MARK TRACK CENTERLINE

- ① Mark the track centerline height determined in the previous step.
 - ② Transfer this mark to both sides of the opening using a level.
- ⚠ Measuring off the floor is not recommended because of potential floor slope. Be sure to check your floor for any irregularities that could affect installation.



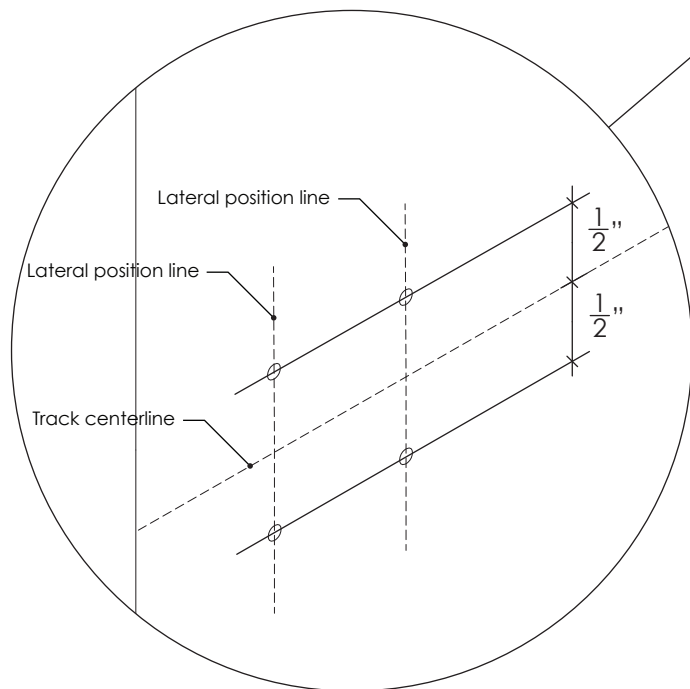
6. DETERMINE THE LATERAL TRACK POSITION

- ① Mark two vertical lines 1-7/8" apart representing the lateral positions of the tracks in the desired lateral locations.

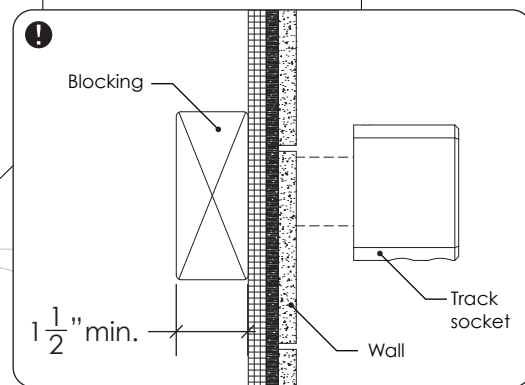


7. MARK MOUNTING HOLE LOCATIONS

- 1 Mark points 1/2" above and below the track centerline on the lateral position lines.
- 2 Wall mounting locations must have at least 1-1/2" of solid wood blocking secured to structural members.
- 3 Repeat on opposite side.

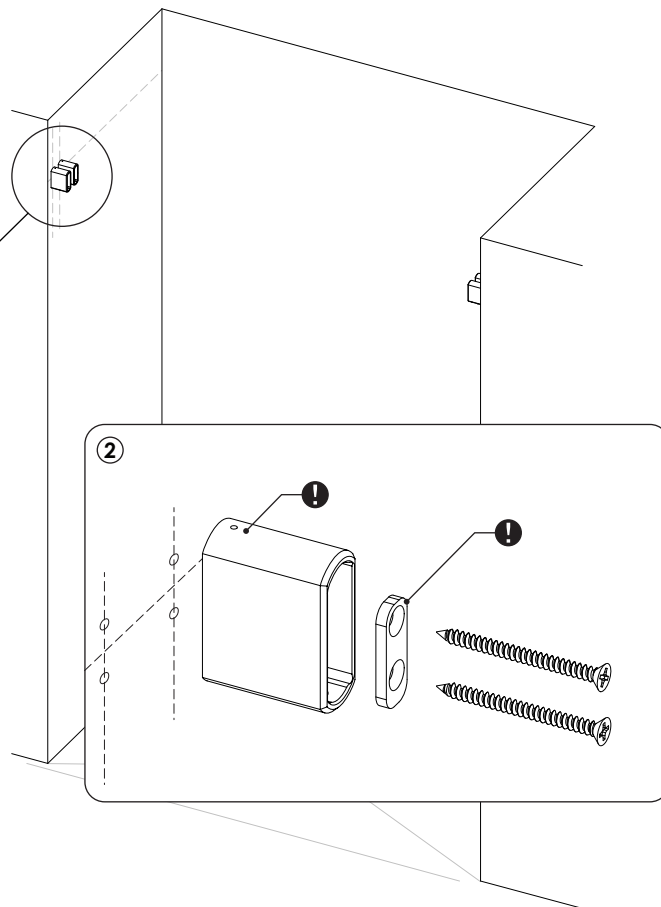
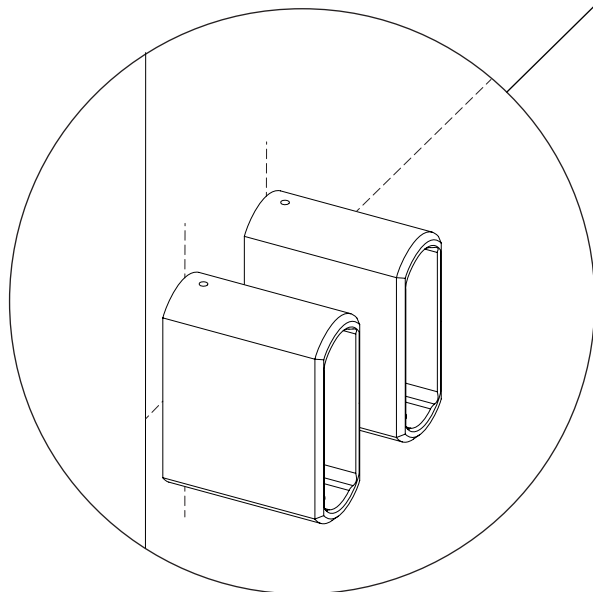


! Krownlab's products are to be secured to structural elements able to support the weight of the door panel(s) and the dynamic forces of a sliding door system as determined by a qualified professional.



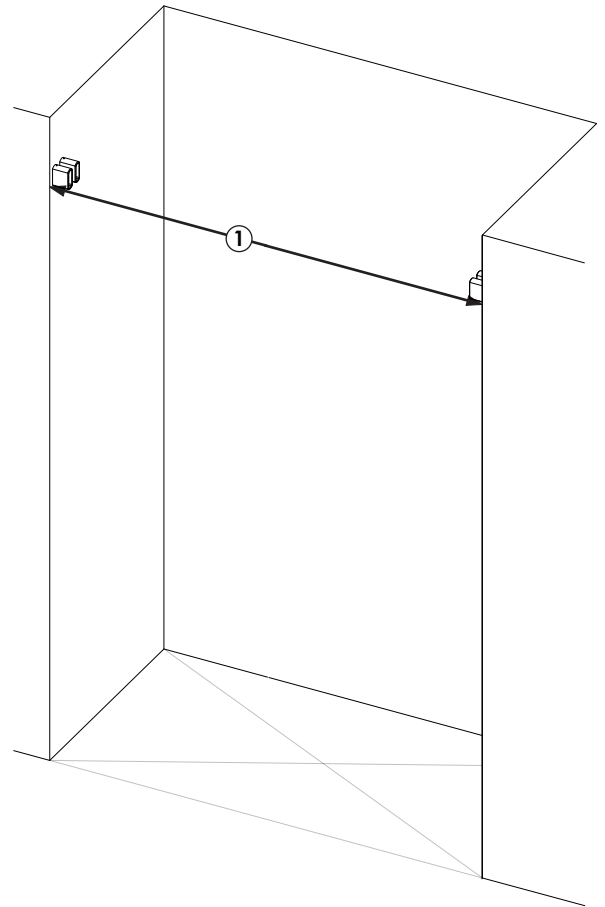
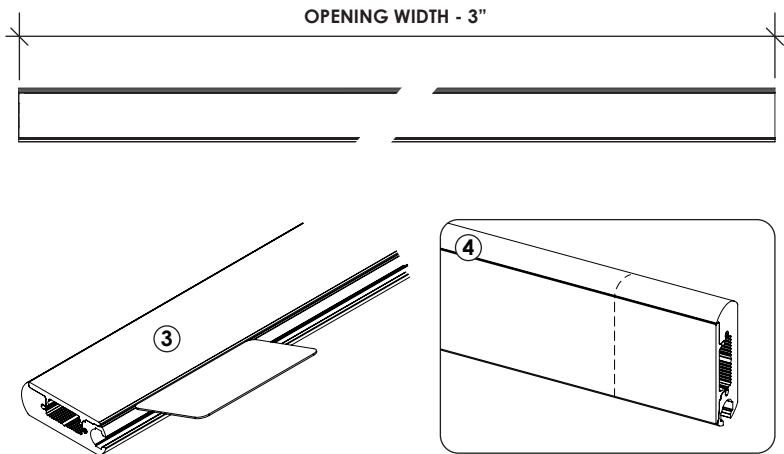
8. INSTALL TRACK SOCKETS

- 1 Predrill holes at the marked locations on the wall.
 - 3/8" diameter recommended through surface layers.
 - 1/8" diameter recommended in wood blocking.
 - 2 Install the wall socket(s) as shown leaving the screws about a half a turn loose to allow for adjustment in next steps.
- 3 Note the orientation of the sockets with the set screw facing up.
 - 4 Note the orientation of the screw plate with the holes biased to the top.



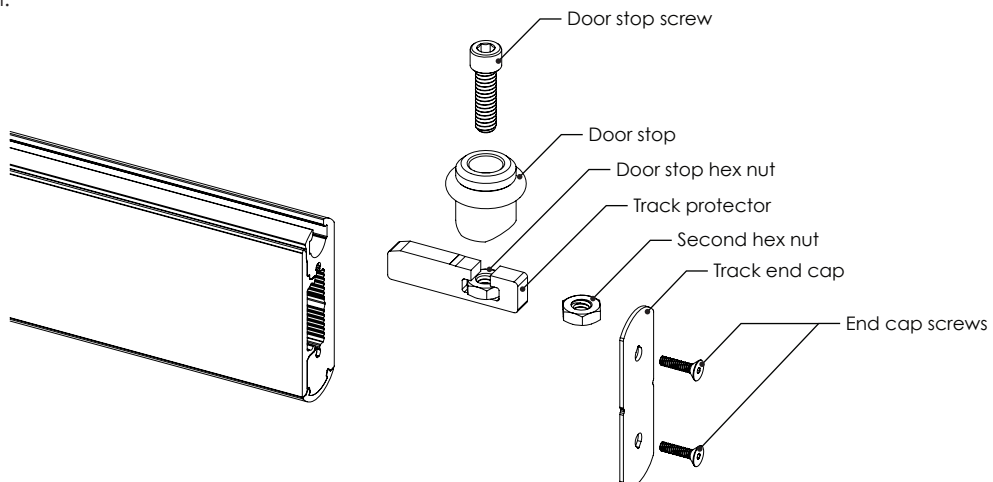
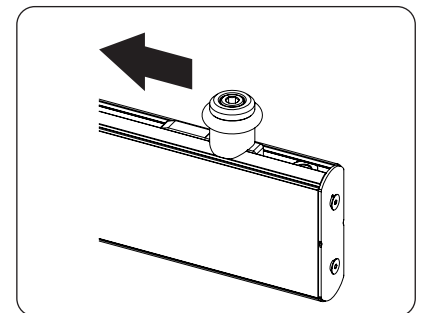
9. MEASURE AND CUT TRACKS

- ① Measure your opening width at the track centerline.
- ② Determine the required track length:
TRACK LENGTH = OPENING WIDTH - 3"
- ③ Prepare track assemblies for cutting:
 - Remove covers to ensure track springs are clear of cut zones.
 - Align track bases and covers flush on one end.
 - Wrap track assemblies with painters tape to prevent sliding during cut.
 - Trim-cut one end of each assembly for optimal alignment.
- ④ Mark and cut tracks to length at opposite end.



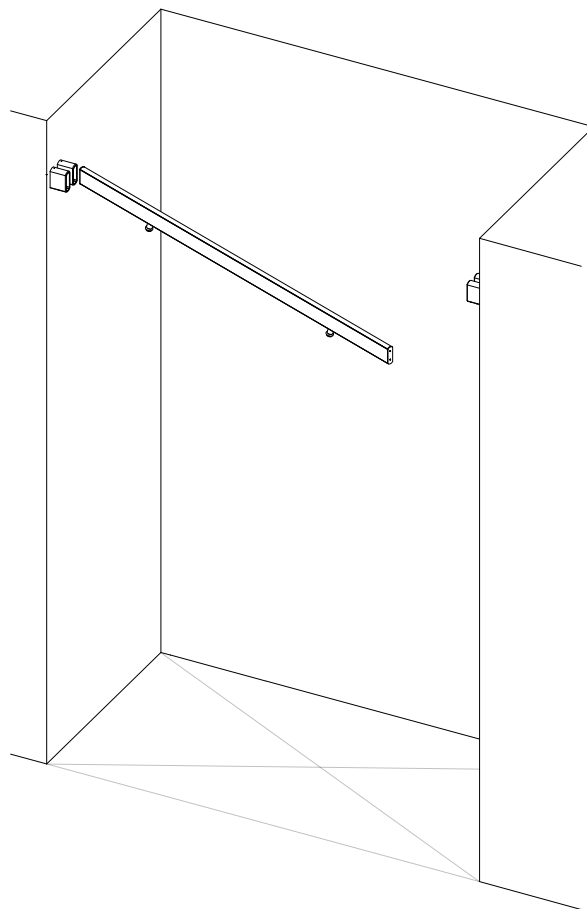
10. TRACK PREASSEMBLY

- ① With the track assemblies oriented upside-down, position the door stop hex nut in the black polymer track protector as shown and insert into the track base channel.
- ② Note the correct position and orientation of the track protector.
- ③ Loosely install the door stop kit onto the inserted track protector nut as shown and slide assembly towards center of track.
- ④ Install the second hex nut behind in the track base channel as shown.
- ⑤ Repeat this process for the other end of each track.
- ⑥ Cap the ends of the tracks by attaching the track end caps using a 1/16" Allen wrench and the provided fasteners. Do not over-tighten.



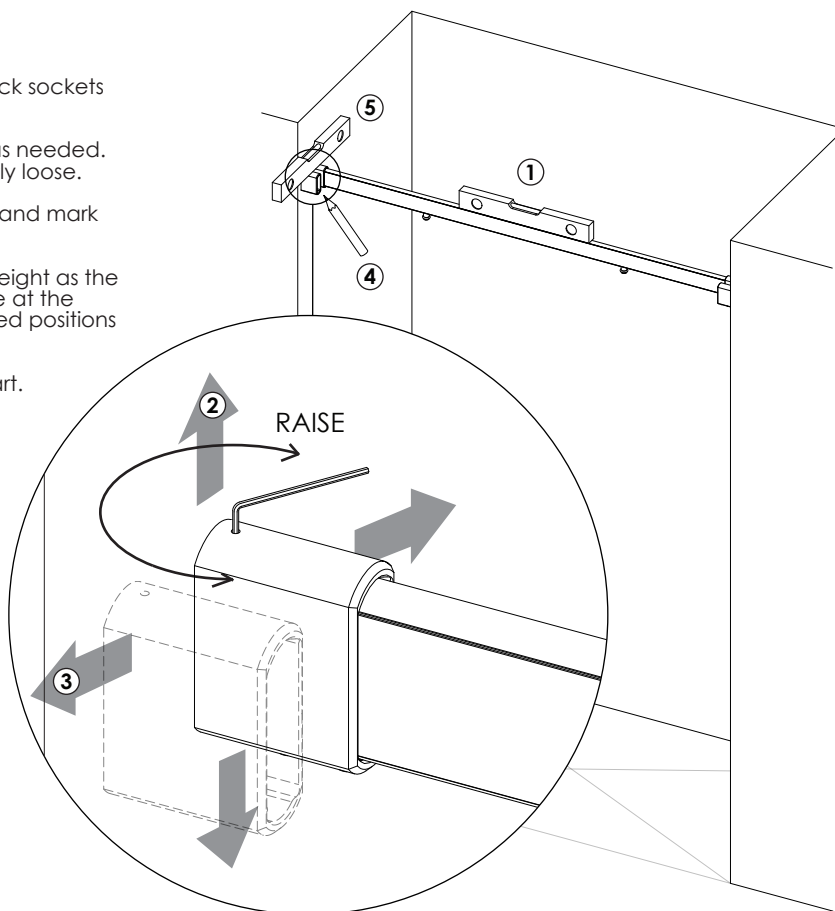
II. TEMPORARILY INSTALL REAR TRACK

- ① Insert the track into the rear sockets one end at a time. Center track so that each end is evenly inserted into each track socket.



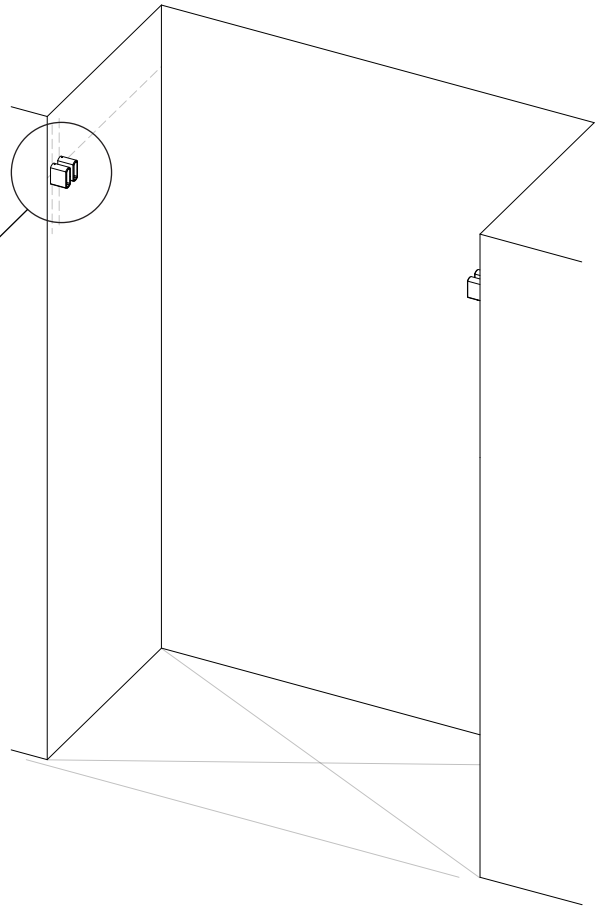
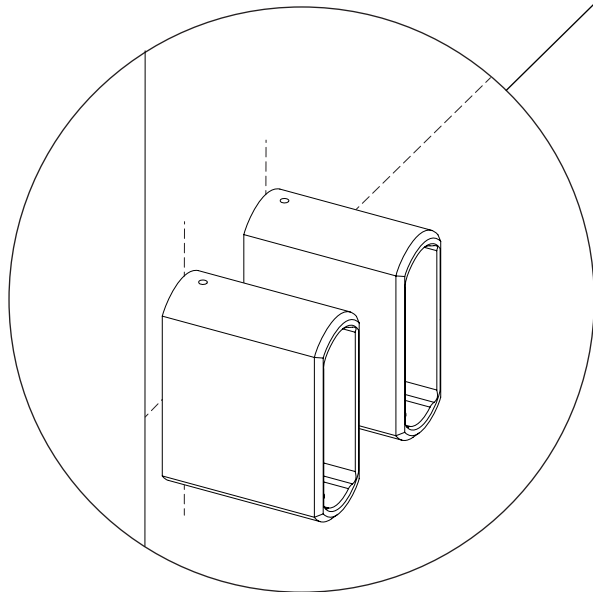
12. ADJUST TRACK POSITION

- ① Check rear track for level.
 - ② Adjust the set screw to raise and lower the rear track sockets until confirmed level.
 - ③ Adjust rear track socket lateral position manually as needed. The track socket attachment screws must be slightly loose.
 - ④ Ensure rear track socket(s) to be level and plumb, and mark the determined positions on the wall.
 - ⑤ Adjust front sockets so that they are at the same height as the rear sockets. Confirm that neighboring sockets are at the same height using a level, and mark the determined positions on the wall.
- ⚠ Ensure that track socket centerlines are 1-7/8" apart.



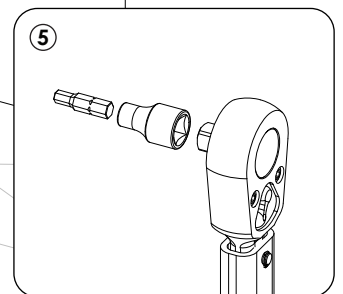
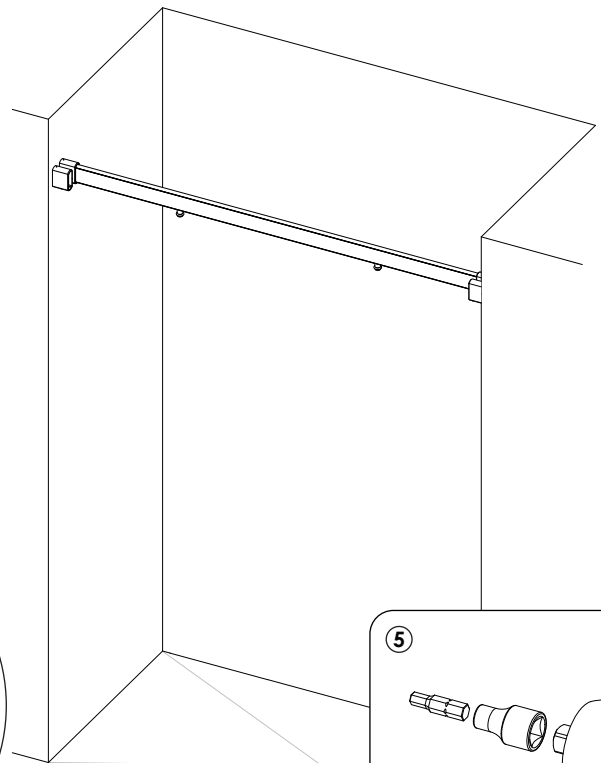
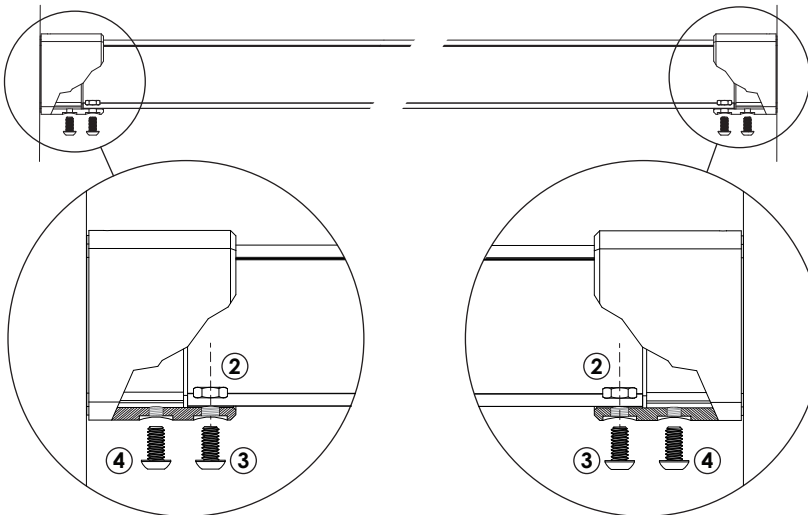
13. TIGHTEN WALL SOCKET(S)

- 1 Remove the track base and uninstall the track sockets.
- 1 Note location of each removed track socket location. Set screws are likely to be in unique positions.
- 2 Fill all drilled holes with caulk for moisture protection.
- 3 Reinstall the sockets aligned with the final position marks. Fully tighten the mounting screws.
- 1 Ensure that socket remains in determined position(s) after tightening.



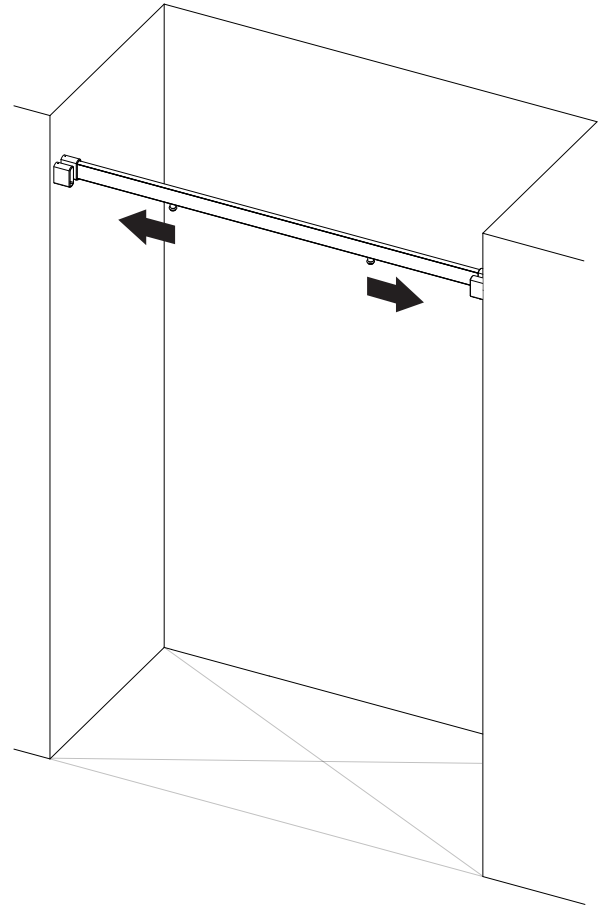
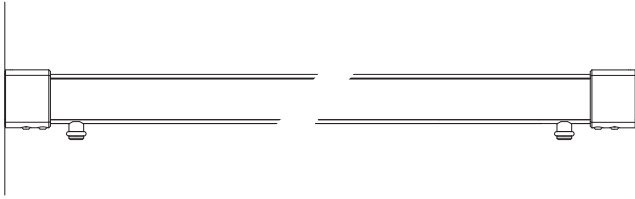
14. PERMANENTLY INSTALL REAR TRACK

- 1 Insert the track base into the tightened track sockets. Center track so that each end is evenly inserted into each track socket.
- 1 Ensure that the track is installed with door stops facing down.
- 2 Slide hex nuts previously inserted into the track base aligned with the holes nearest the opening of each socket. Adjust position of track as needed.
- 3 Install provided button head screws into the hex nut at each end.
- 4 Install provided button head screws into the remaining threaded hole on the bottom of each track socket.
- 5 Torque all 4 fasteners to 110 in-lbs (9.5 ft-lbs).



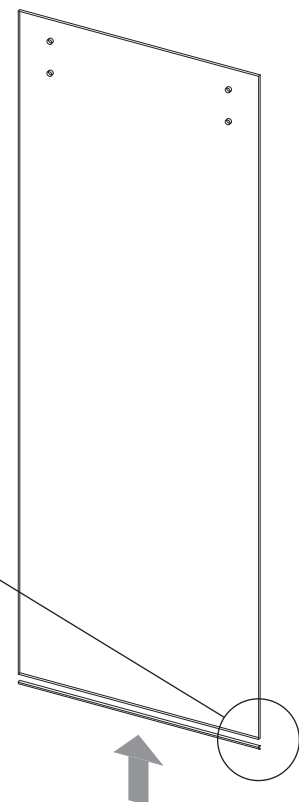
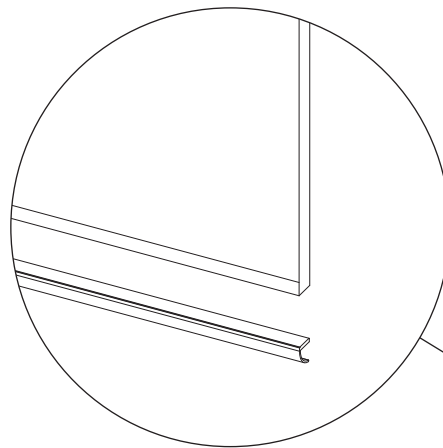
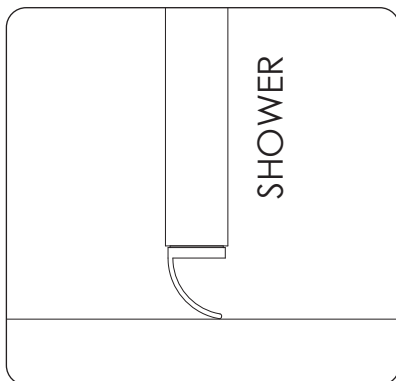
15. MOVE DOOR STOPS

- 1 Slide each door stop to the ends of the track. Do not yet secure.



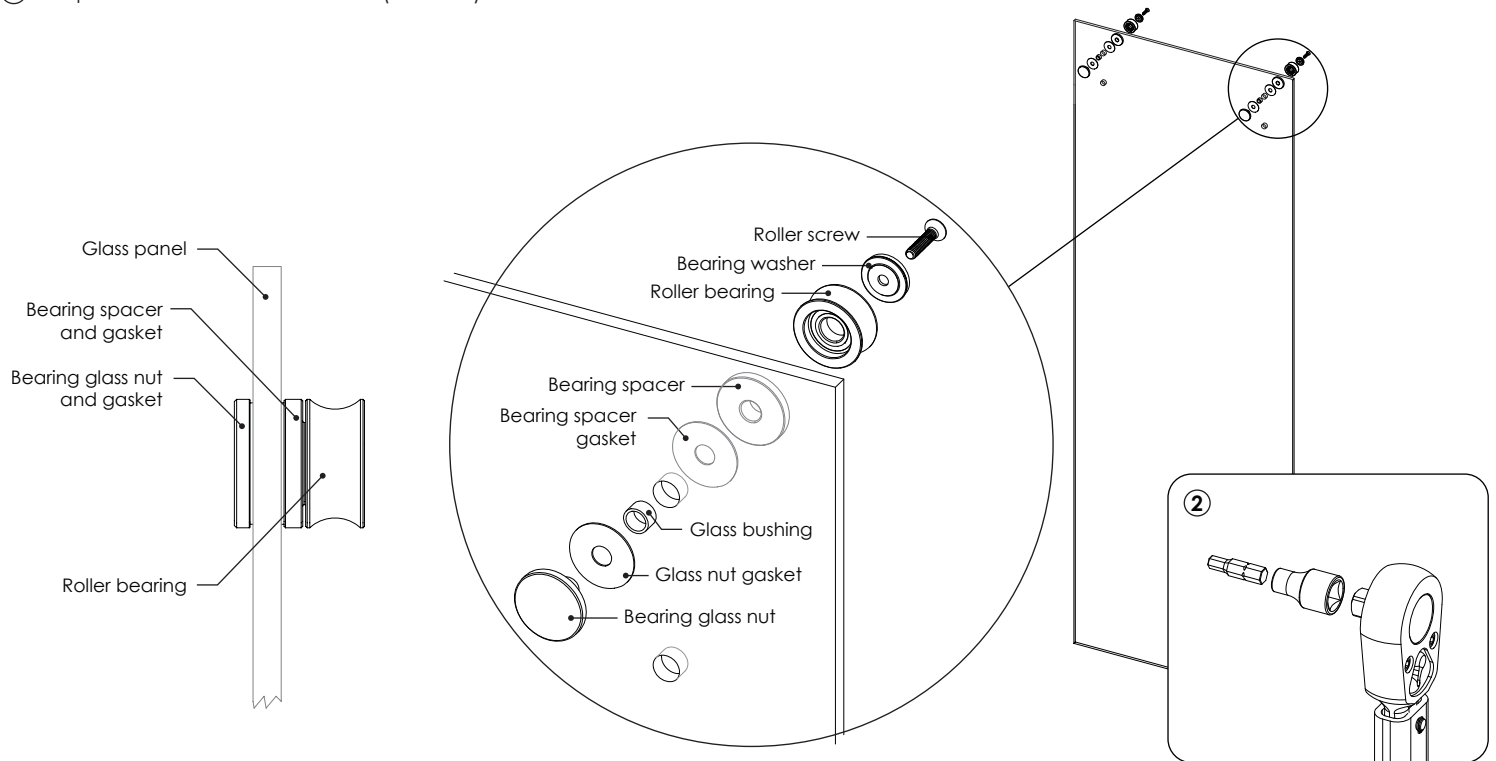
16. OPTIONAL - INSTALL FLOOR SEALS

- 1 If desired, install the adhesive backed floor seal onto each door panel as shown.



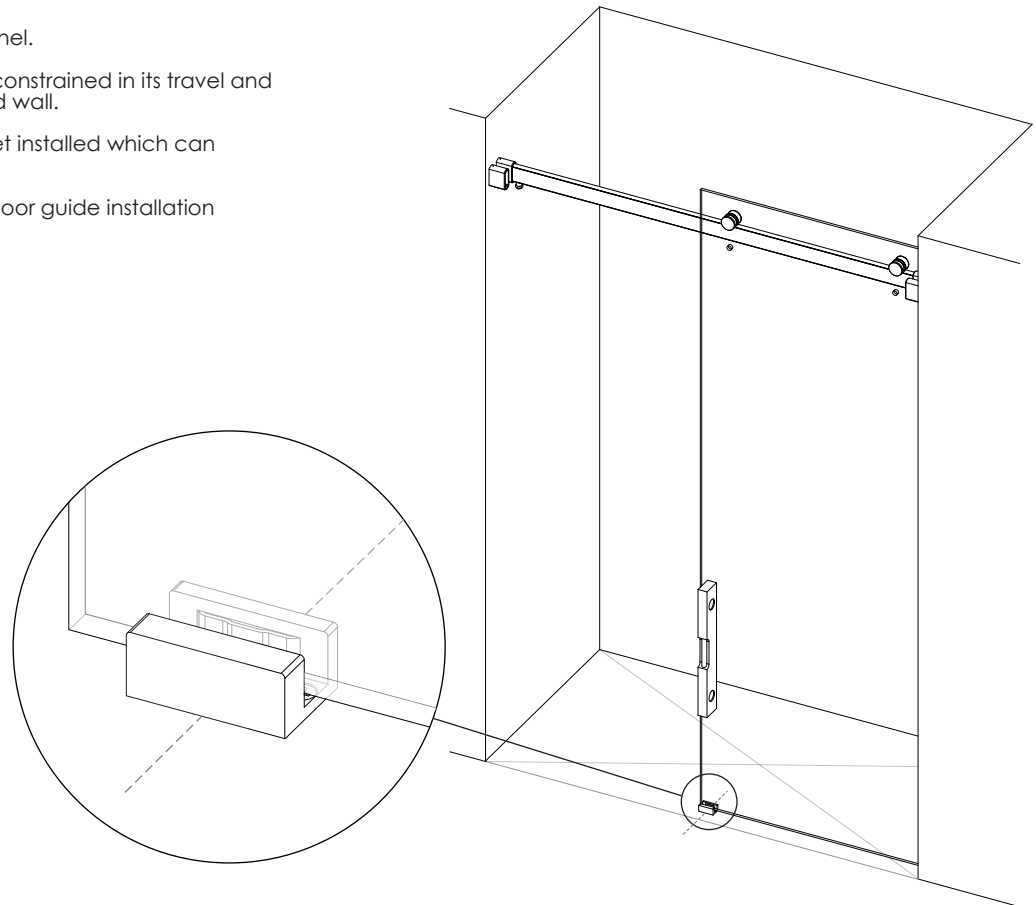
17. INSTALL ROLLERS

- ① Attach the roller assemblies onto each door panel as shown.
- ② Torque roller fasteners to 110 in-lb (9.5 ft-lbs)



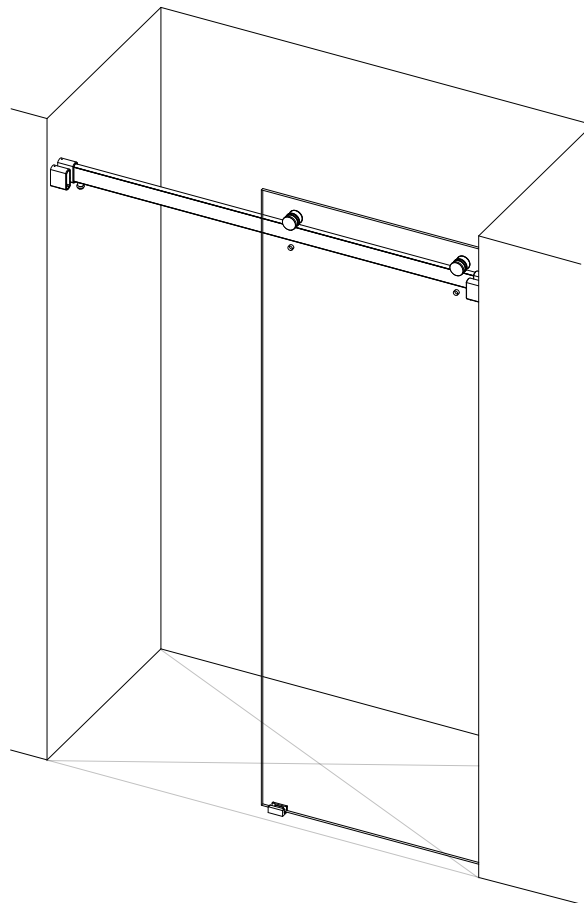
18. INSTALL REAR FLOOR GUIDE

- ① Carefully hang the rear door panel.
- ⚠ Note that door panel is not yet constrained in its travel and can cause damage to glass and wall.
- ⚠ Note that safety stops are not yet installed which can cause door panel can derail.
- ② Follow the separately included floor guide installation instructions.



19. ADJUST REAR DOOR PANEL

- ① If desired door panel to floor clearance is not achieved, remove door panel and adjust track height in step 12.
- ⚠ If installed, bottom door seal should lightly touch the floor and freely pass through the floor guide along the full length of door travel.

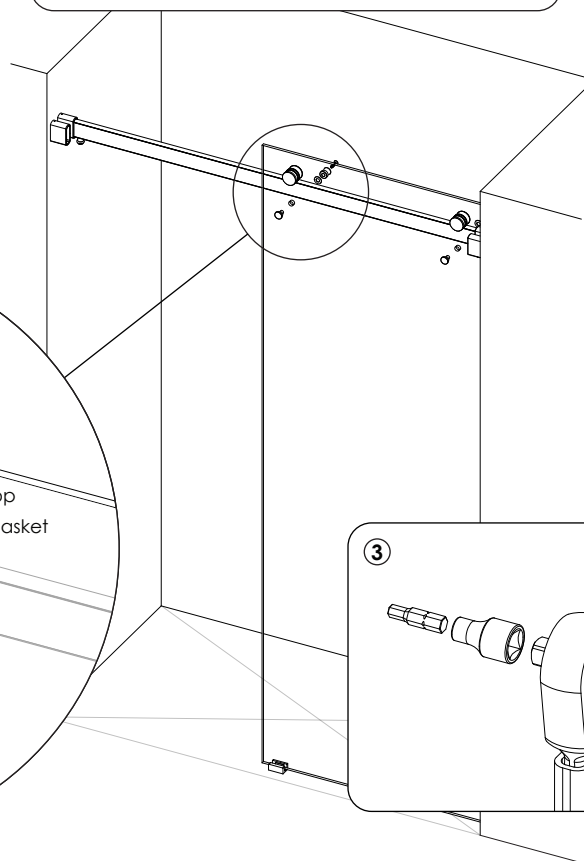
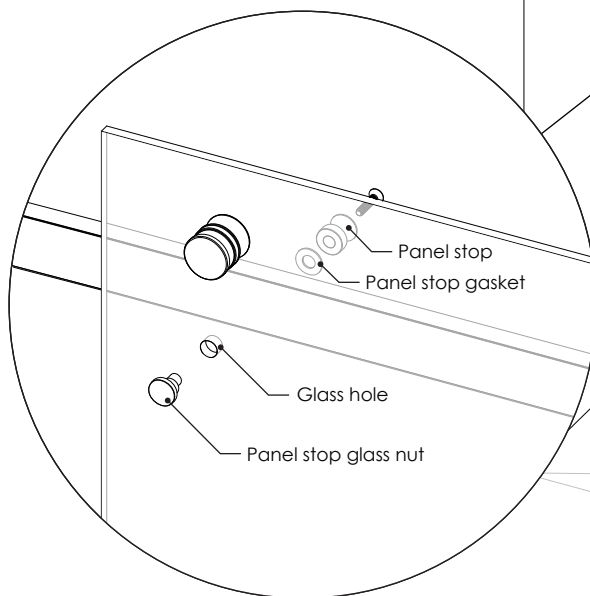


20. INSTALL REAR SAFETY STOPS

- ① Assemble the safety stops onto the door panel as shown, leaving the screws half a turn loose.
- ⚠ Ensure that the Safety stop gaskets are installed.
- ② Rotate the safety stop glass nuts to raise and lower the assemblies. Adjust each safety stop to just clear the door stop track protectors on each end of the track.
- ③ Torque the fasteners to 110 in-lbs (9.5 ft-lbs). Make sure that the safety stop position does not change during tightening.



Not correctly installing safety stops can result in the door panel derailing during normal use which can cause damage and a safety hazard.



21. OPTIONAL - INSTALL DOOR SEALS

① Install fin seal.

-Cut seal to length:

SEAL LENGTH = DOOR PANEL HEIGHT - 8"

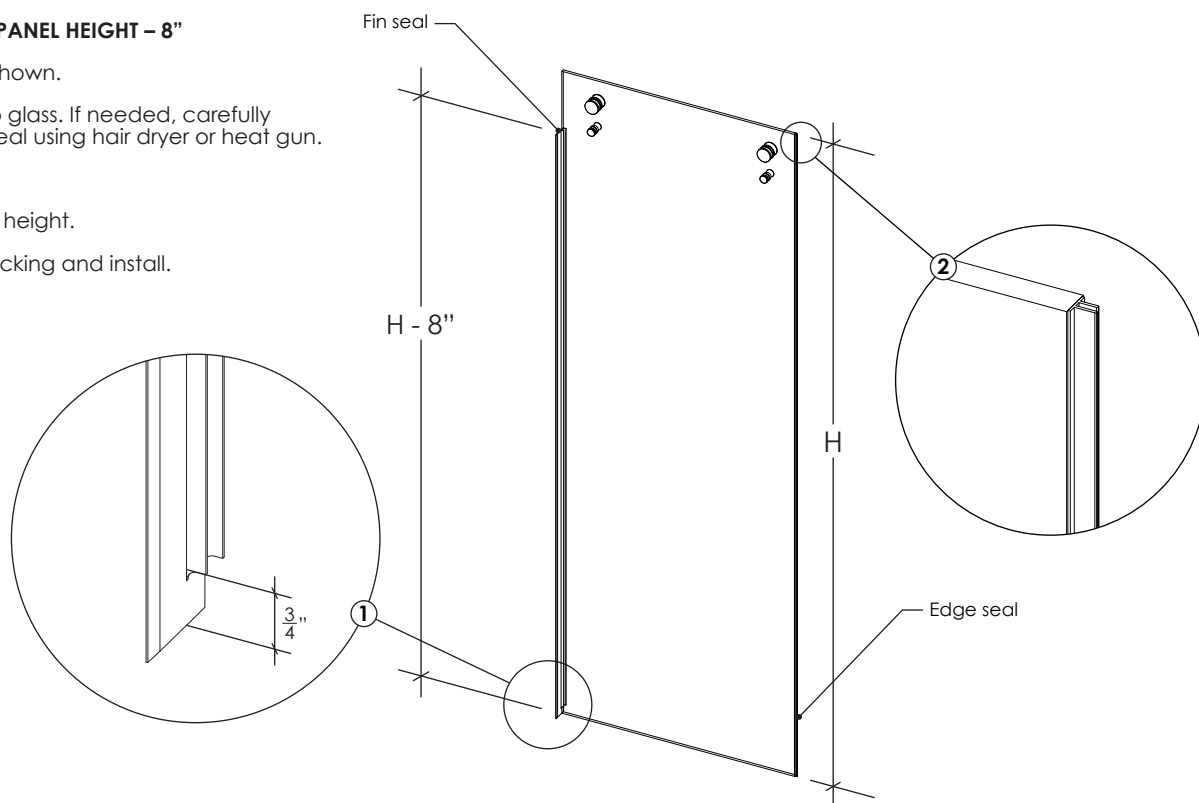
-Trim bottom area as shown.

⚠ Do not force seal onto glass. If needed, carefully apply heat to soften seal using hair dryer or heat gun.

② Install edge seal:

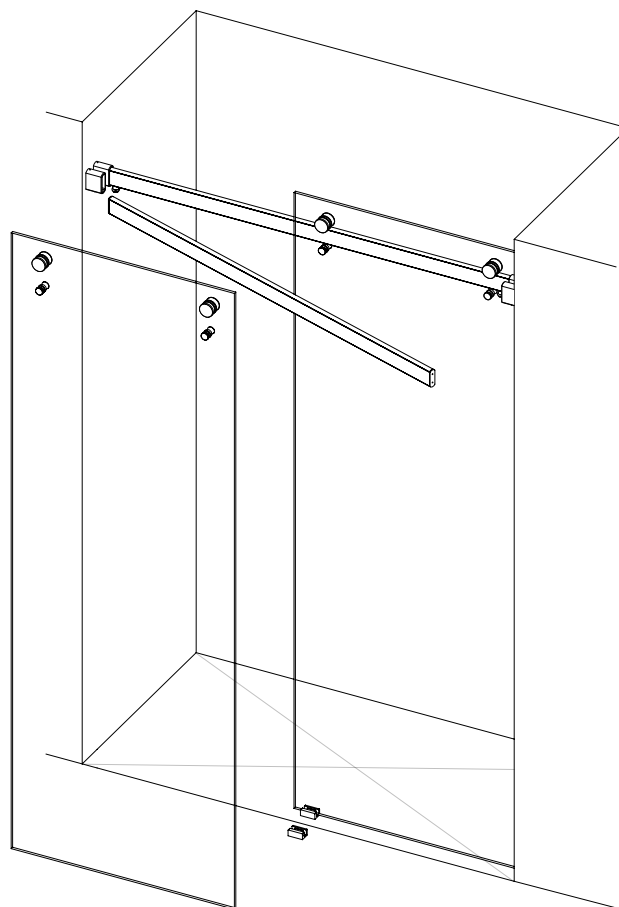
-Cut to full door panel height.

-Remove adhesive backing and install.



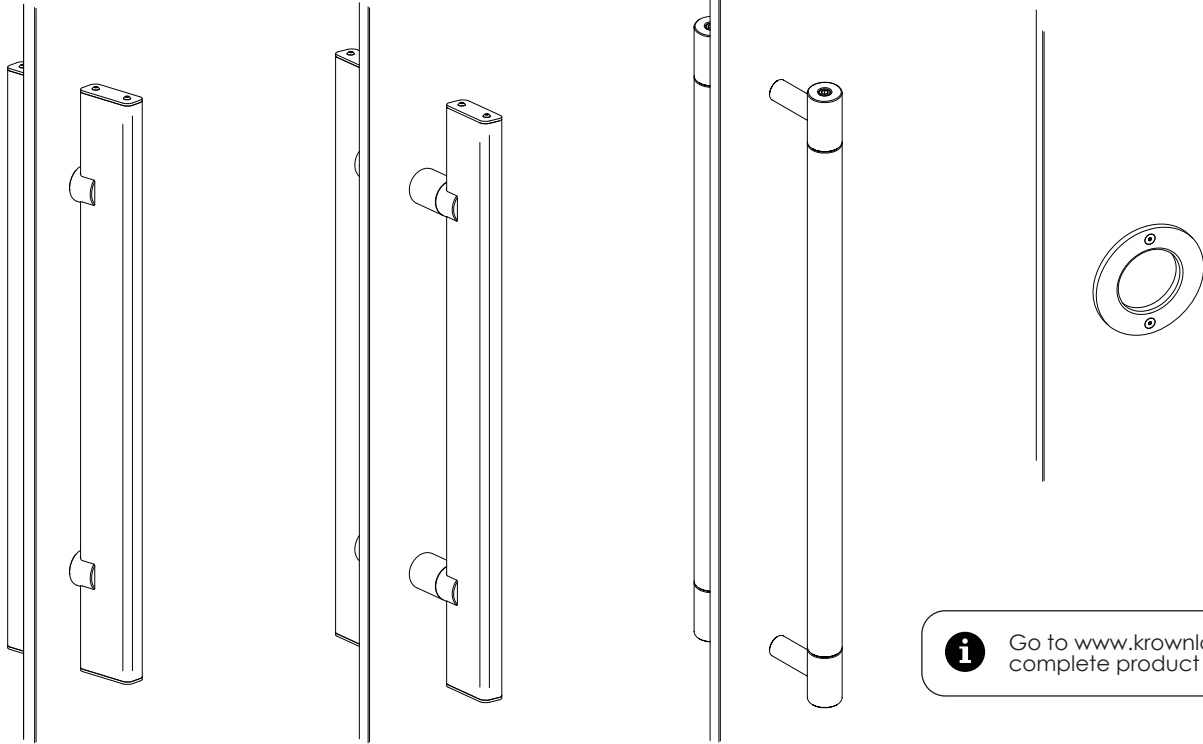
22. INSTALL FRONT TRACK AND DOOR PANEL

① With the rear track and door installed, repeat steps 14 through 21 to install the front track, floor guide, and door panel.



30. INSTALL DOOR PULLS

- 1 If applicable, install door pulls following applicable installation instructions.

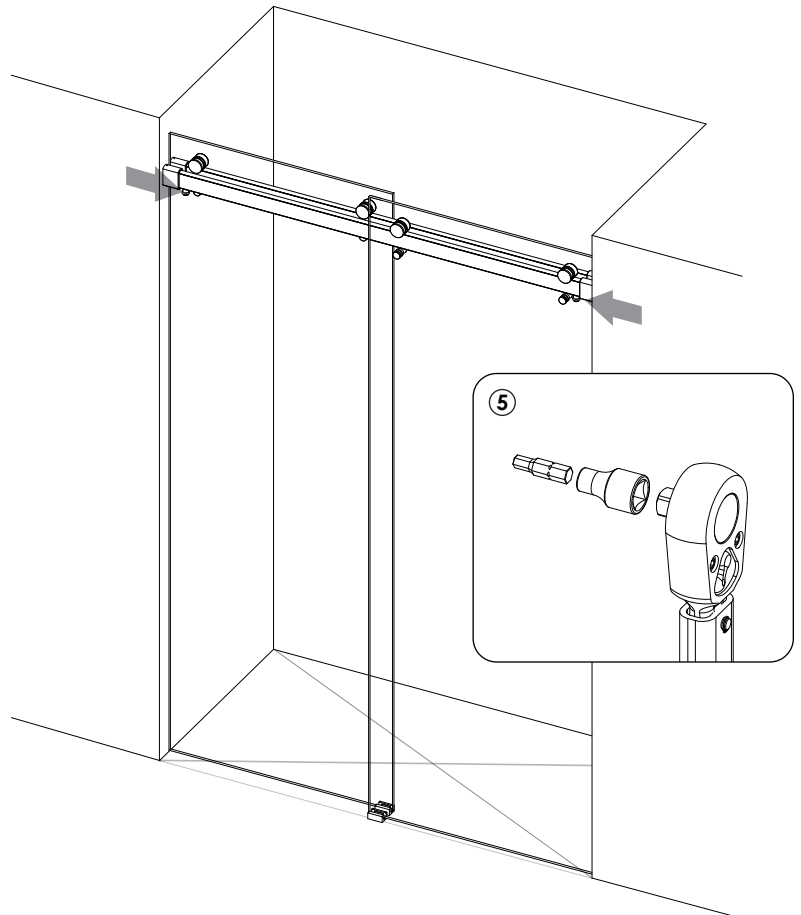


i Go to www.krownlab.com for our complete product range.

31. SET DOOR TRAVEL

- 1 With the doors in the desired open position, slide the door stops until they touch the adjacent safety stops.
- 2 Repeat with the doors in the closed position, sliding the door stops until they touch the adjacent safety stops.
- 3 Verify that the floor guides are properly engaged in both the fully open and fully closed positions.
- 4 Tighten all door stop fasteners in place by hand.
- 5 Confirm that door stop locations have not shifted while tightening. Readjust if needed.
- 5 Using a torque wrench, tighten fasteners to 110 inch-lbs (9.5 ft-lbs).

⚠ Not tightening door stops to provided specs can cause glass breakage and a safety hazard.



33. CARE AND MAINTENANCE

- ❗ Krownlab products require routine care and maintenance. Read and understand these requirements in our Product Care & Maintenance guide.
- ① Thoroughly clean product and remove all debris and fingerprints immediately after installation as described in our Product Care & Maintenance guide.
- ② Enjoy your new exceptional Krownlab Sliding Door System.



Not properly following Krownlab's Care & Maintenance guide can cause excessive wear and degrade product performance over time.

Visual product representations herein may differ from the actual products. Components and details are subject to improvement changes.

© 2023 Krownlab. All Rights Reserved. Krownlab and the Krownlab logo is registered Trademark of Krown Lab, Inc.
