

INSTALLATION INSTRUCTIONS

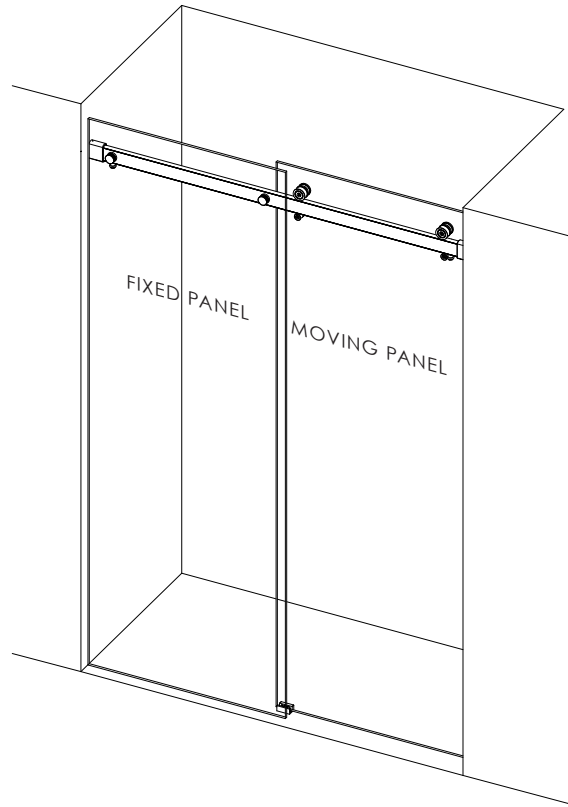
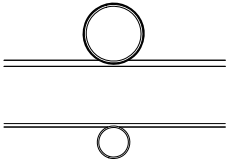


The corresponding Product Specification document is to be comprehensively reviewed prior to product installation takes place.

To deviate, or to not comprehensively and precisely follow all applicable product specifications and installation instructions can result in unsafe or hazardous site conditions that can cause bodily harm or death.

FREYA

ALCOVE, SINGLE DOOR



Krownlab products are covered by U.S. patents and trademarks. For more information visit www.krownlab.com

2024-02-20

I. TOOLS + MATERIALS

TOOLS

- Tape measure
- Level
- Stud finder
- Ratchet and Imperial socket set
- Torque wrench capable of measuring up to 110 inch-lbs (9.5 ft-lbs)
- Imperial Allen wrench and bit set
- Standard bit kit with driver
- 3/8" tile or masonry drill bit
- Power drill
- Imperial drill bit index and countersink bit

TOOLS FOR DRILLING AND CUTTING TRACK

- Miter or chop saw and carbide toothed blade
- 9/16" metal drill bit

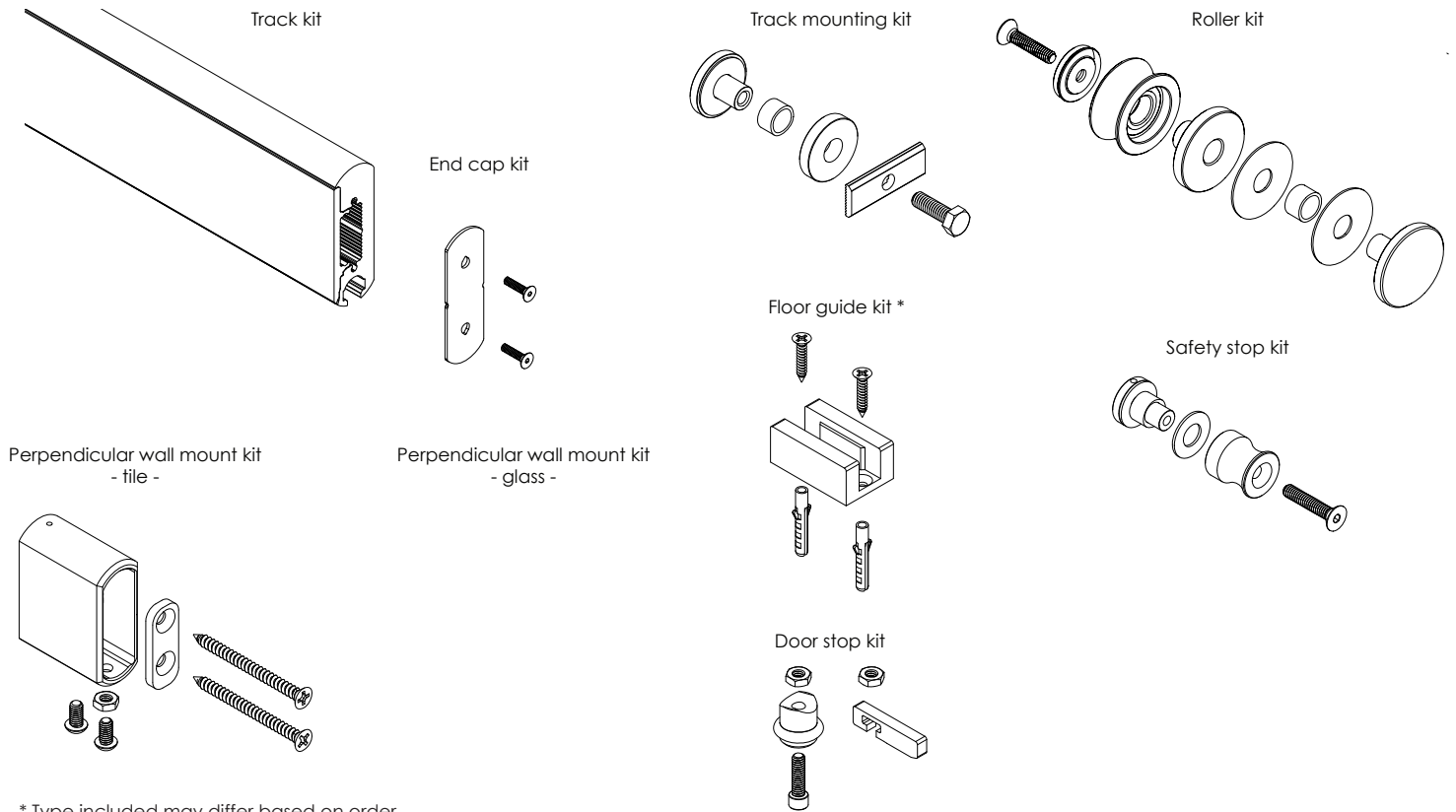
MATERIALS

- Blue painters tape
- Pencil or other non permanent marking tool
- Clear glazing silicone
- Plastic shimming material
- Bottom glazing channel (optional)

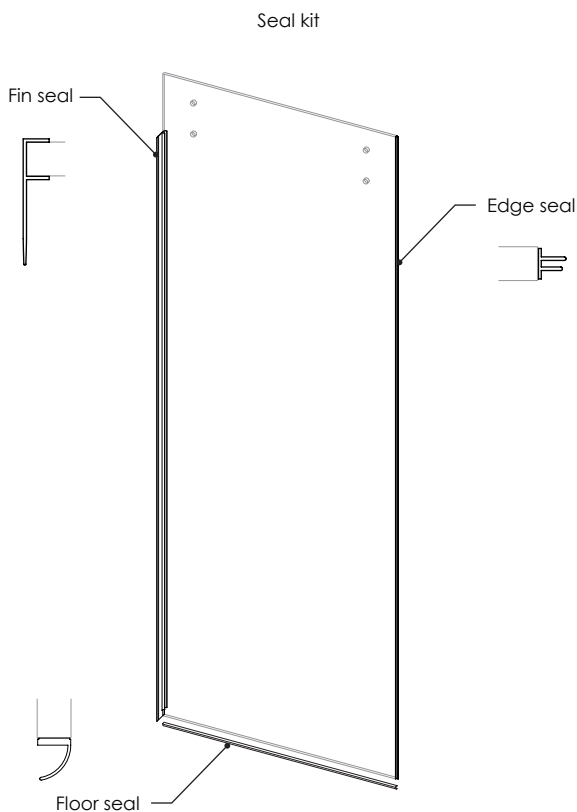
2. VERIFY COMPONENTS

BASE KIT

Quantity included of each item is specific to ordered product configuration.



SYSTEM OPTIONS AND ADDITIONS



Track shim kit

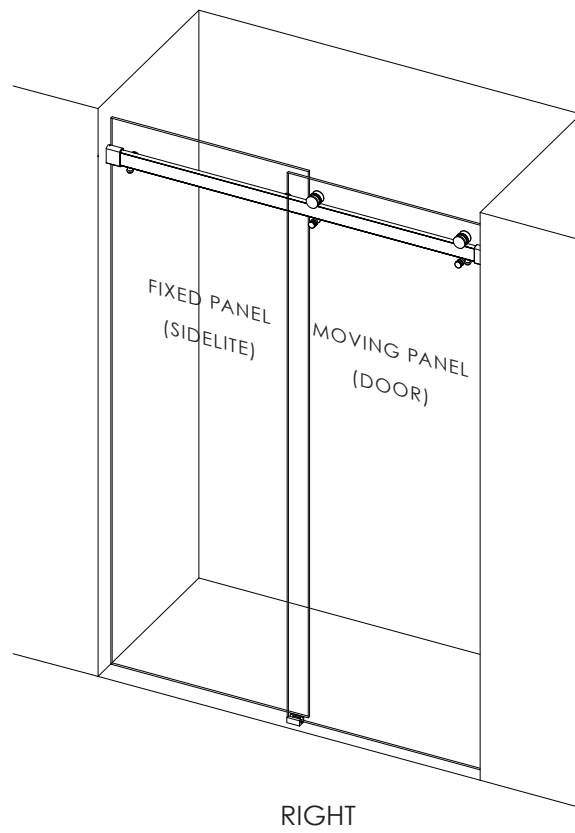
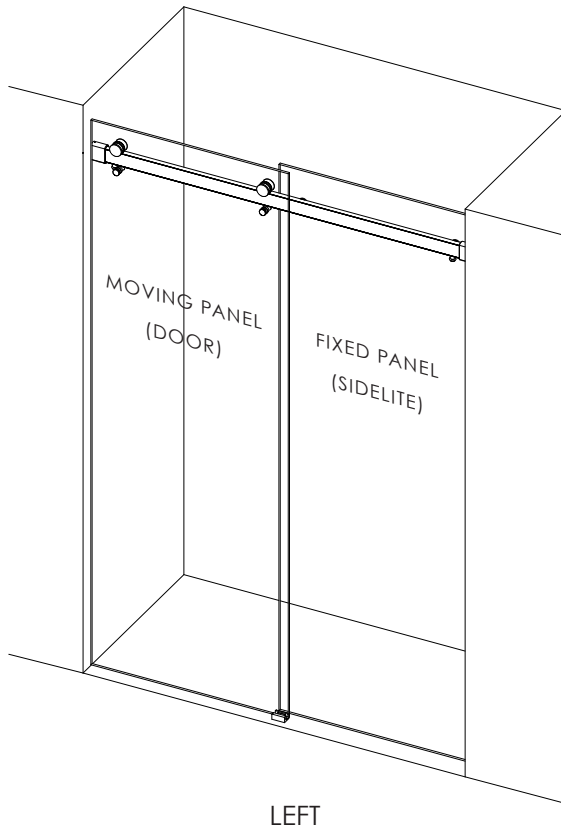


i Go to www.krownlab.com for our complete product range.

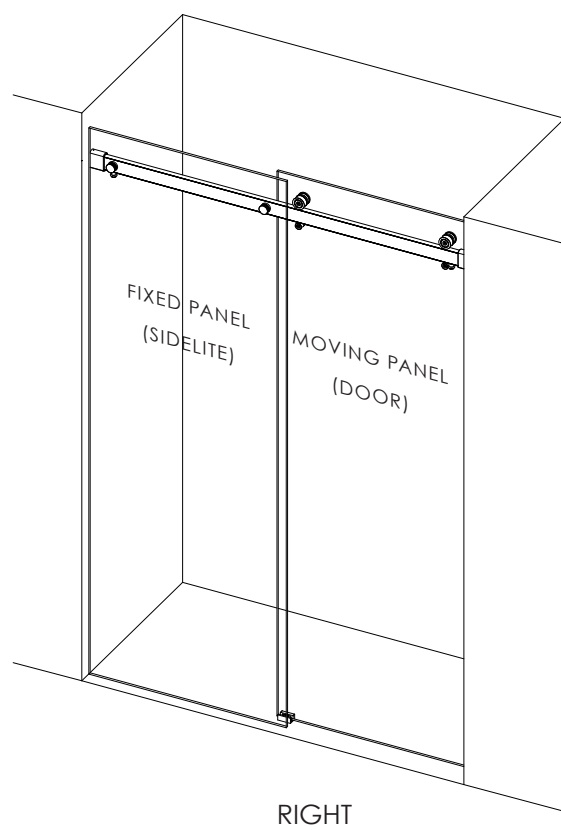
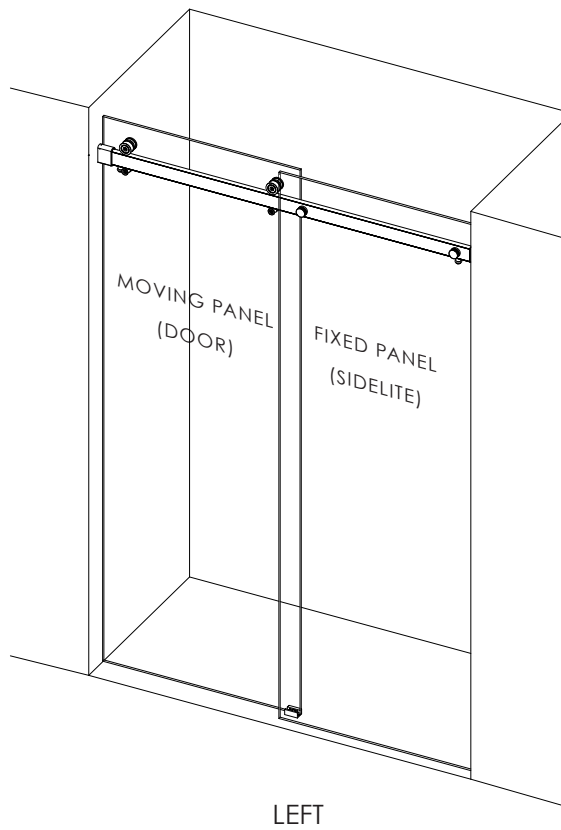
3. DETERMINE DOOR CONFIGURATION

① Determine the optimal orientation of the door based on your shower configuration.

DOOR PANEL ON OUTSIDE



DOOR PANEL ON INSIDE



4. GLASS INSPECTION

- ❗ Ensure that glass conforms to Krownlab's glass product specifications.
- ① Confirm size, hole placement, and overall preparation per Krownlab's glass panel specifications.
- ② Inspect glass for any defects, including but not limited to chips, deformations, and irregularly shaped holes.
- ❗ Installer is responsible for specifying fixed glass panel structural mounting hardware and methods. Prepare glass per the hardware manufacturers specifications.



Do not install defective glass. Any glass defect is a safety hazard and requires replacement prior to installation.



Reference your product's glass specs for additional information:
www.krownlab.com/downloads

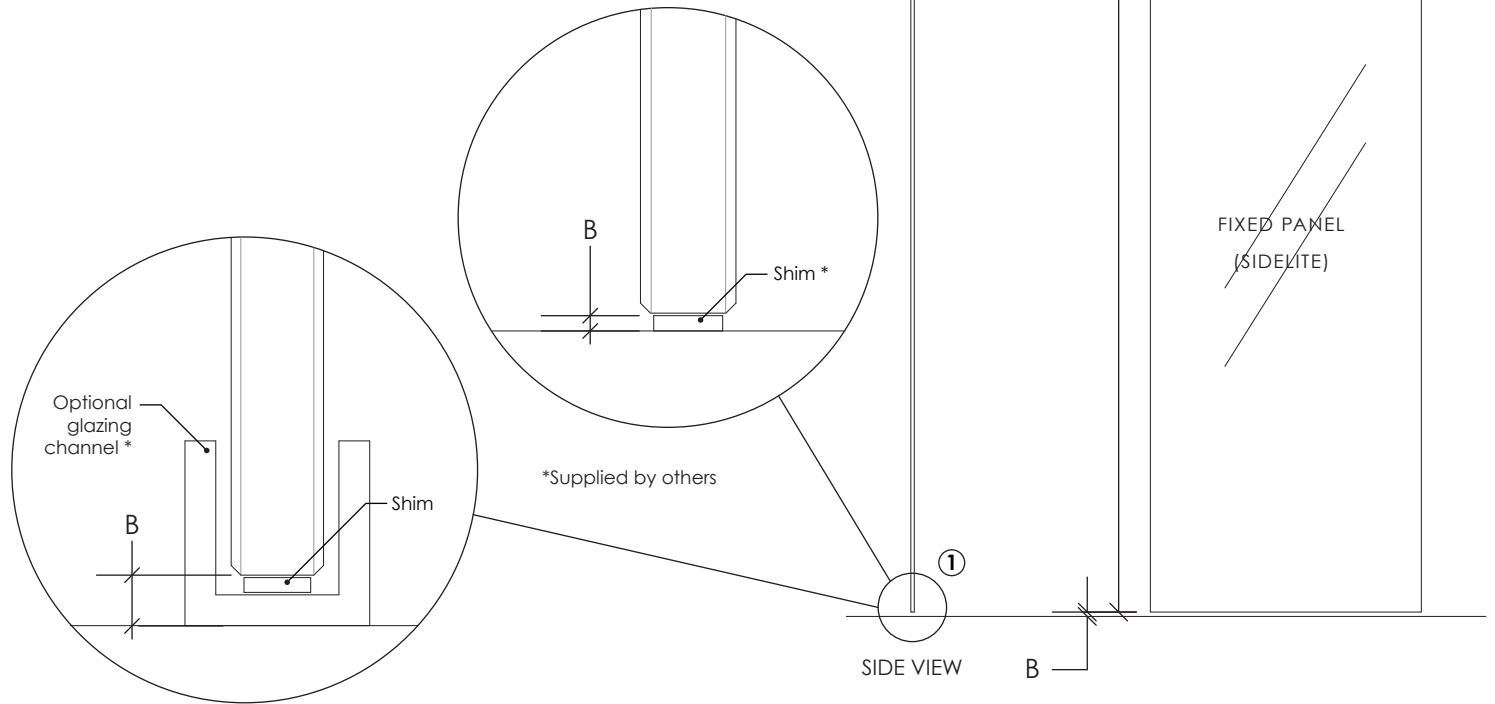
5.

INTENTIONALLY BLANK

6. DETERMINE TRACK CENTERLINE HEIGHT

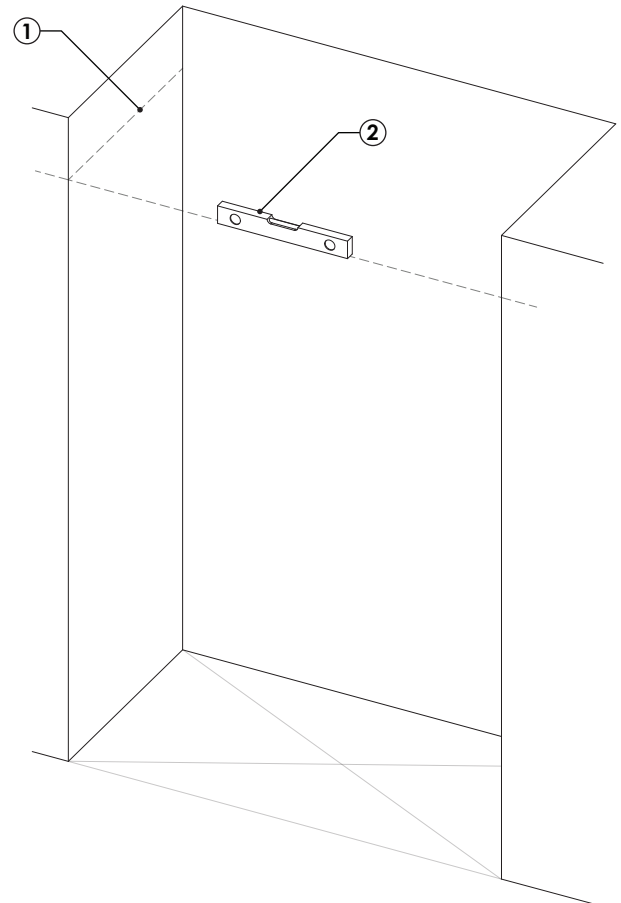
- ① Determine dimension B based on the floor treatment (channel, clips, shims, glazing etc.) of your fixed panel as previously determined according to Krownlab's glass panel specifications.
- ② Determine the track centerline height:

$$\text{TRACK CENTERLINE HEIGHT} = A \text{ (HOLE CENTERLINE TO BOTTOM OF GLASS)} + B \text{ (SHIM GAP)}$$



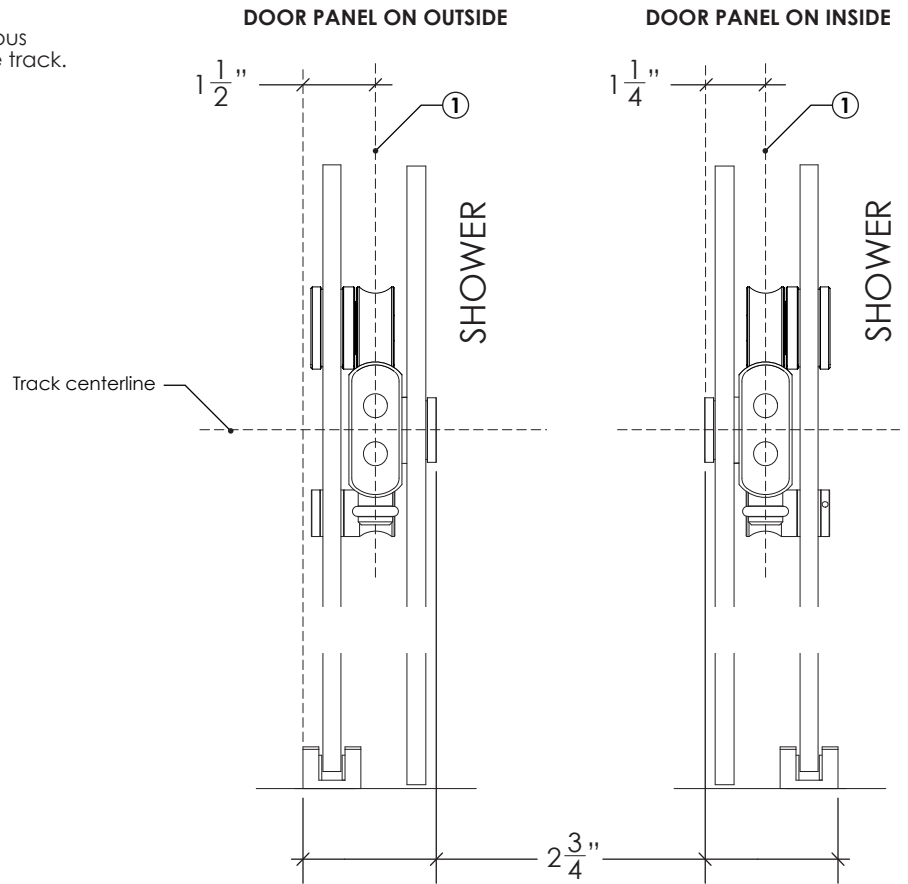
7. MARK TRACK CENTERLINE

- ① Mark the track centerline height determined in the previous step.
 - ② Transfer this mark to both sides of the opening using a level.
- ⚠ Measuring off the floor is not recommended because of potential floor slope. Be sure to check your floor for any irregularities that could affect installation.



8. DETERMINE THE LATERAL TRACK POSITION

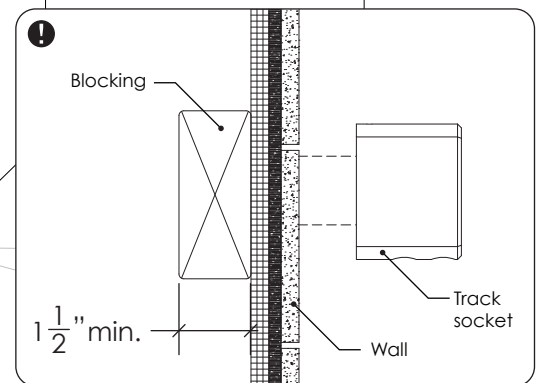
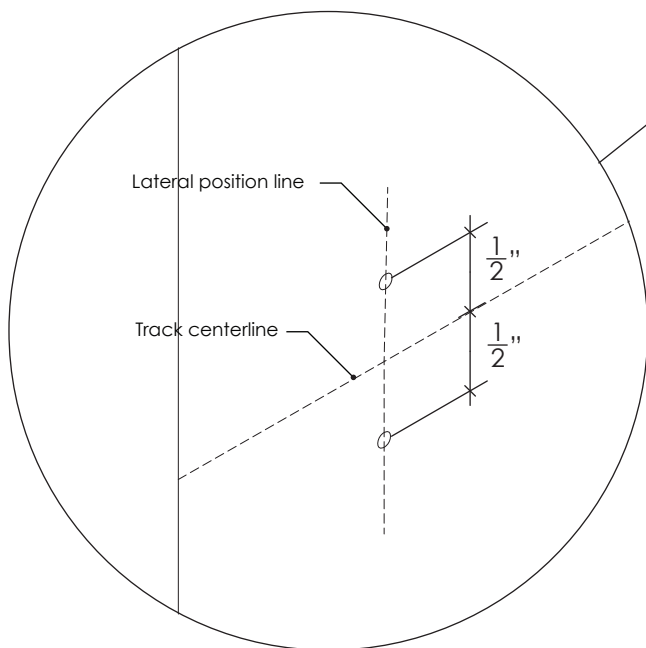
- Based on the door configuration chosen in previous step, determine the desired lateral position of the track.



9. MARK MOUNTING HOLE LOCATIONS

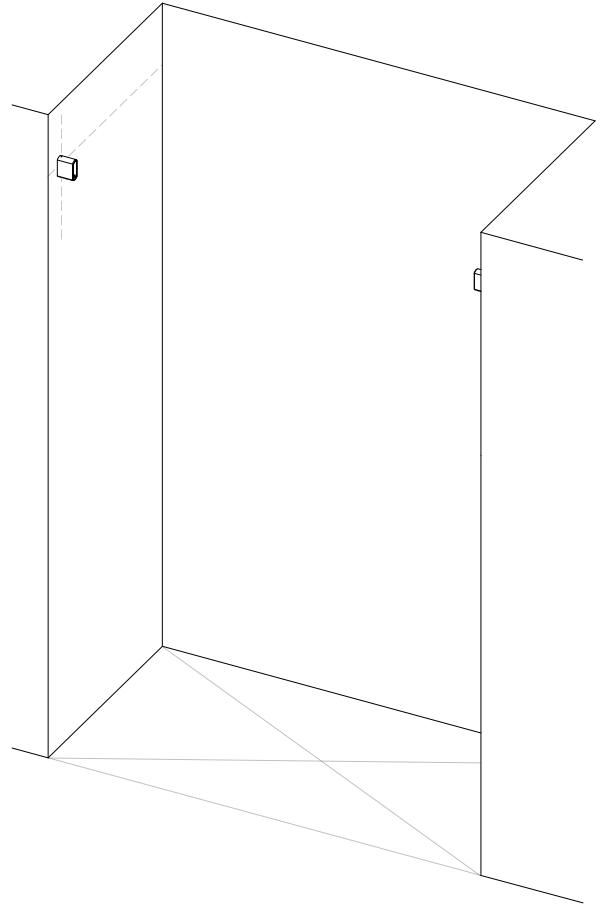
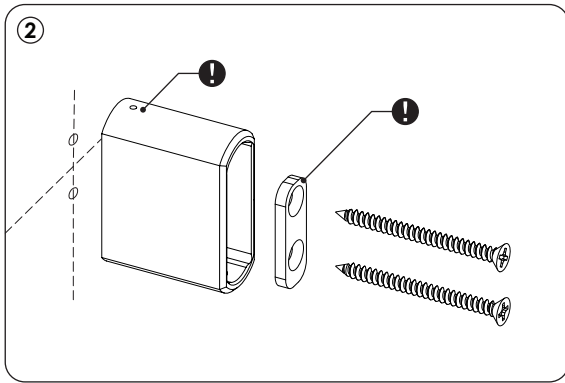
- Mark points $\frac{1}{2}''$ above and below the track centerline on the lateral position line.
- Wall mounting locations must have at least $1\frac{1}{2}''$ of solid wood blocking secured to structural members.
- Repeat on opposite side.

! Krownlab's products are to be secured to structural elements able to support the weight of the door panel(s) and the dynamic forces of a sliding door system as determined by a qualified professional.



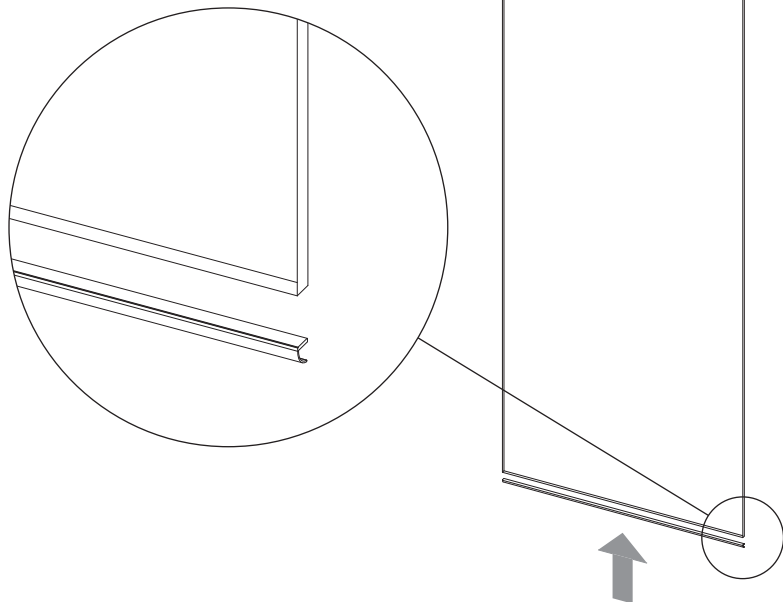
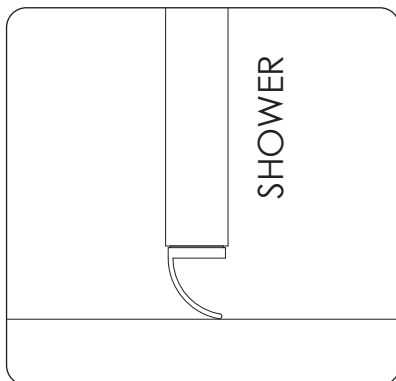
10. INSTALL TRACK SOCKETS

- ① Predrill holes at the marked locations on the wall.
 - 3/8" diameter recommended through surface layers.
 - 1/8" diameter recommended in wood blocking.
 - ② Install the wall socket(s) as shown leaving the screws about a half a turn loose to allow for adjustment in next steps.
- ❗ Note the orientation of the sockets with the set screw facing up.
 - ❗ Note the orientation of the screw plate with the holes biased to the top.



11. OPTIONAL - INSTALL FLOOR SEAL

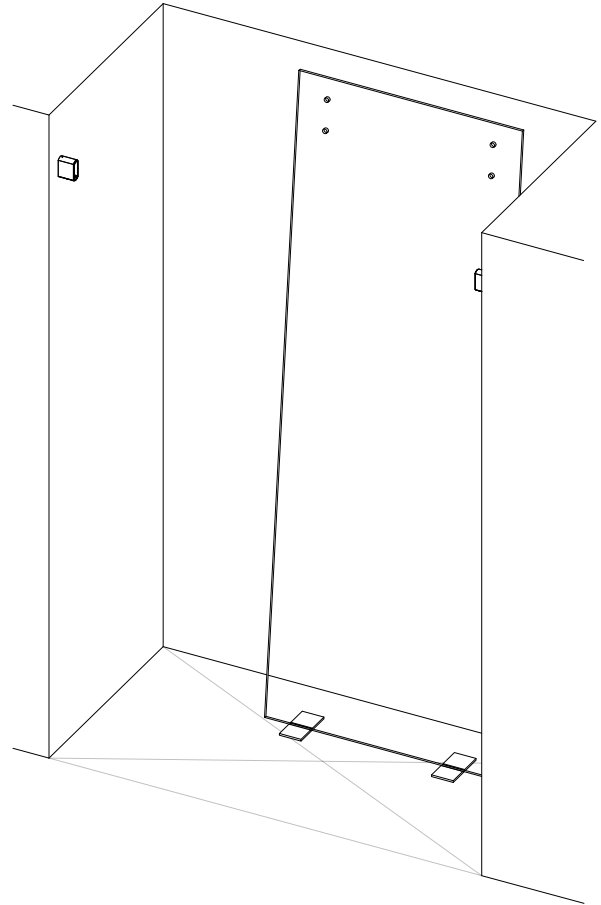
- ① If desired, install the adhesive backed floor seal onto door panel as shown.



12. STAGING DOOR PANEL

- 1 If installation is configured with the door panel on the **inside**, place the door panel in the shower. Be sure the door pull preparation is facing the correct direction.

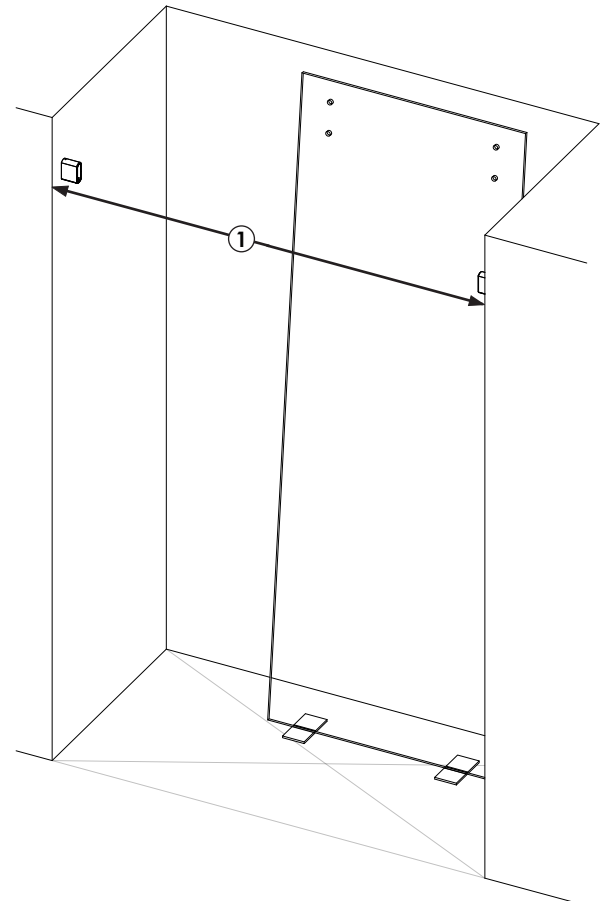
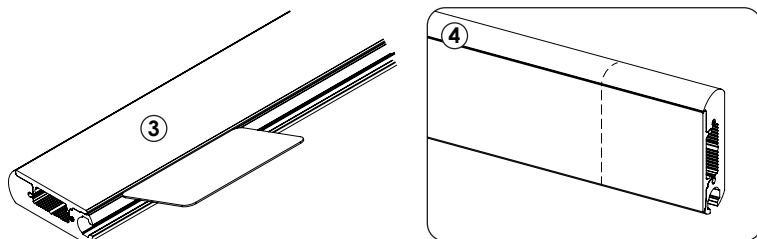
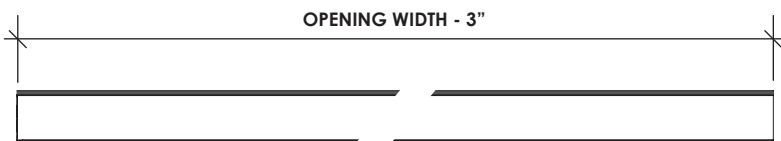
If installation is configured with the door panel on the **outside**, place your fixed panel in the shower.



*Installation with door panel on the inside illustrated here.

13. MEASURE AND CUT TRACK

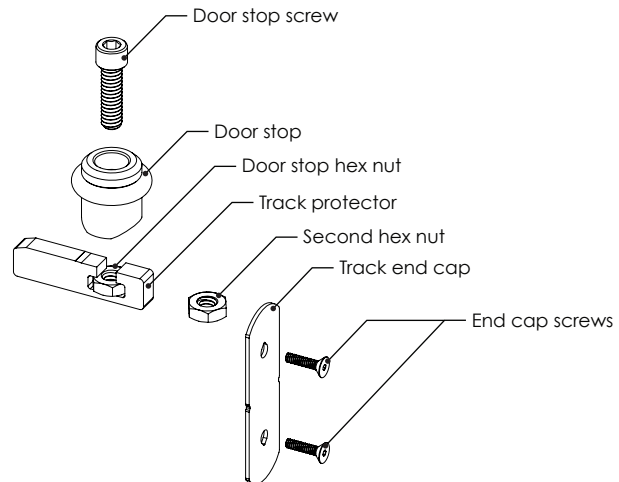
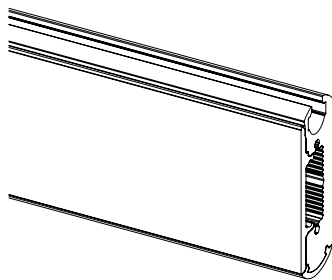
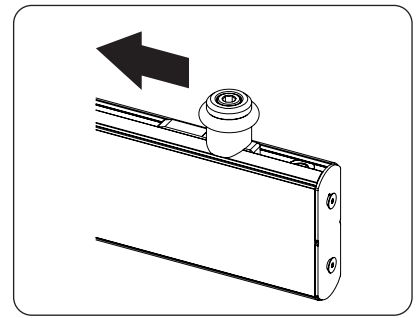
- 1 Measure your opening width at the track centerline.
- 2 Determine the required track length:
TRACK LENGTH = OPENING WIDTH - 3"
- 3 Prepare track assembly for cutting:
 - Remove cover to ensure track springs are clear of cut zones.
 - Align track base and cover flush on one end.
 - Wrap track assembly with painters tape to prevent sliding during cut.
 - Trim-cut one end for optimal alignment.
- 4 Mark and cut track to length at opposite end.
- 5 Remove painters tape, shift cover over and remove an additional 1/4" in length to facilitate final cover installation succeeding steps.



*Installation with door panel on the inside illustrated here.

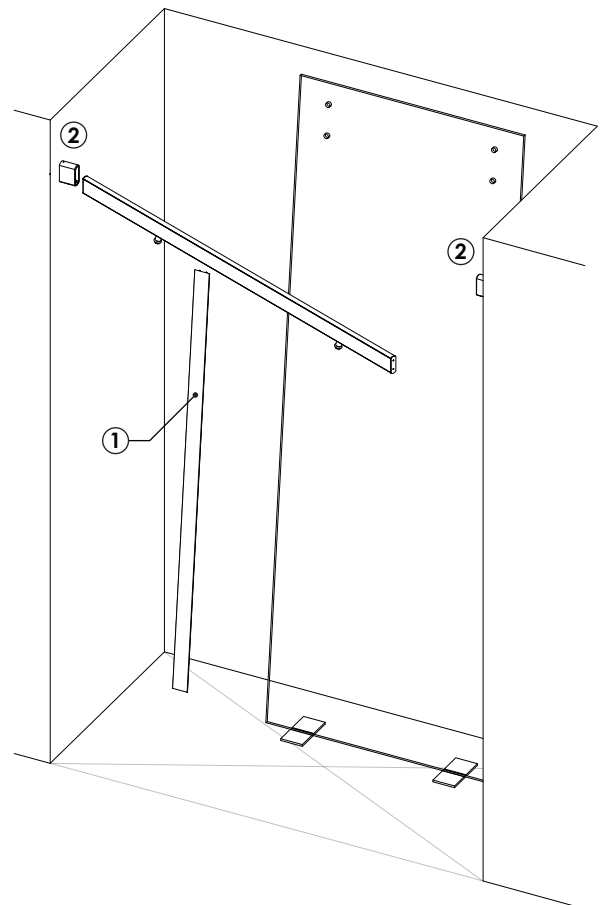
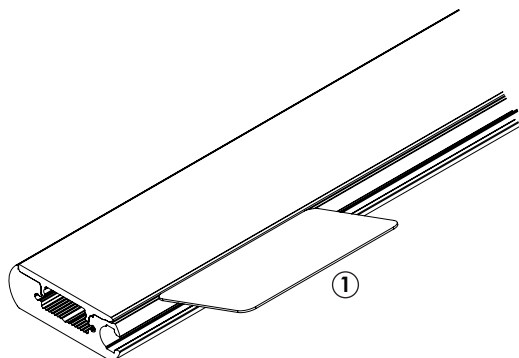
14. TRACK PREASSEMBLY

- 1 With the track assembly oriented upside-down, position the door stop hex nut in the black polymer track protector as shown and insert into the track base channel.
- 2 Note the correct position and orientation of the track protector.
- 3 Loosely install the door stop kit onto the inserted track protector nut as shown and slide assembly towards center of track.
- 4 Install the second hex nut behind in the track base channel as shown.
- 5 Repeat this process for the other end of the track.
- 6 Cap the ends of the track by attaching the track end caps using a 1/16" Allen wrench and the provided fasteners. Do not over-tighten.



15. TEMPORARILY INSTALL TRACK BASE

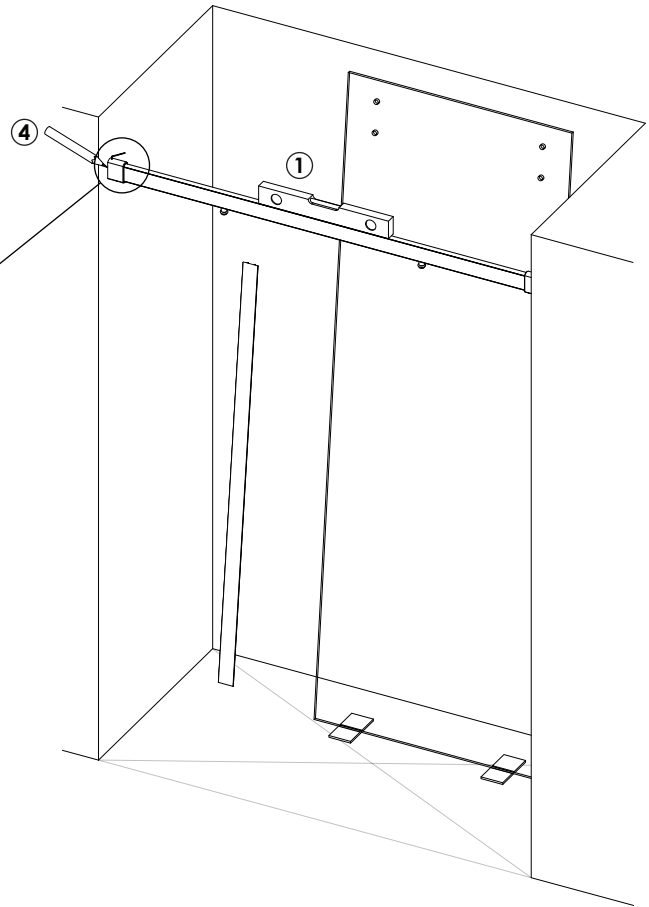
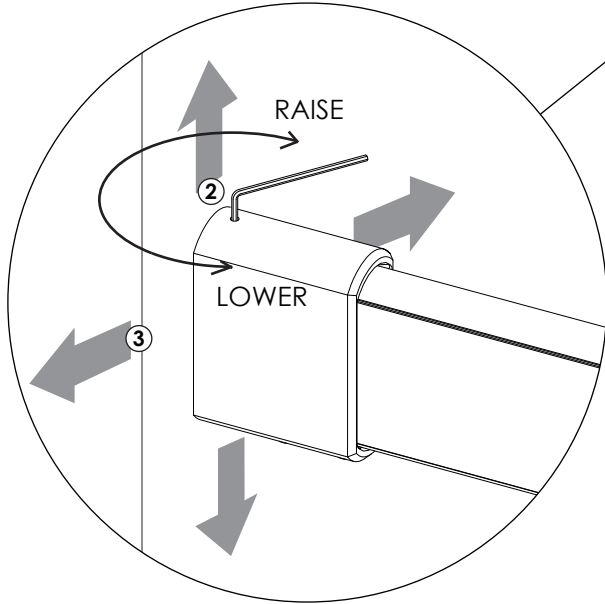
- 1 Remove track cover from track base by gently prying the cover from the base with a slender plastic (non-marring) tool and set aside. Loosen end cap screws if needed.
- 2 Insert the track base into the sockets one end at a time. Center track so that each end is evenly inserted into each track socket.
 - If door panel is to be on the **inside**, face the open side of the track into the shower.
 - If door panel is to be on the **outside**, face the open side of the track out of the shower.



*Installation with door panel on the inside illustrated here.

16. ADJUST TRACK POSITION

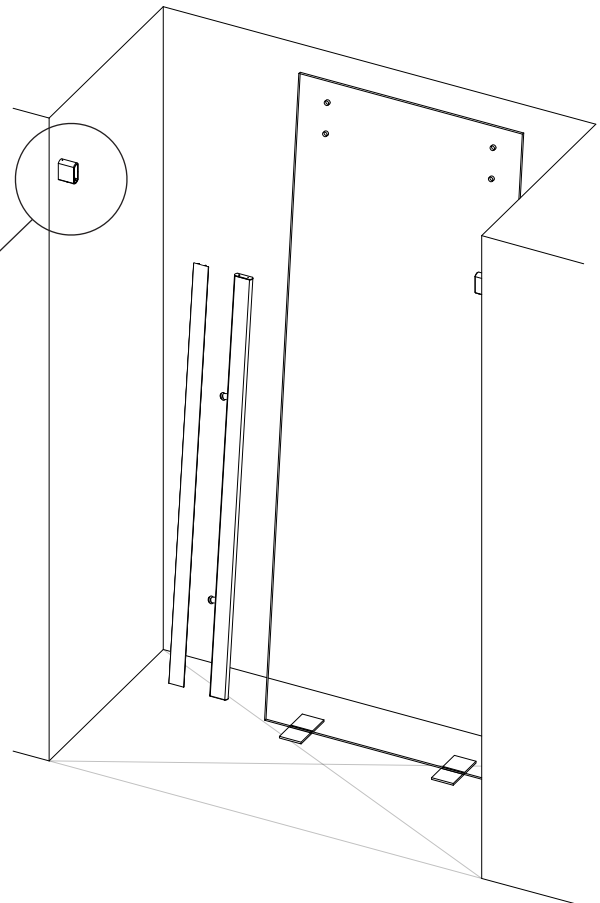
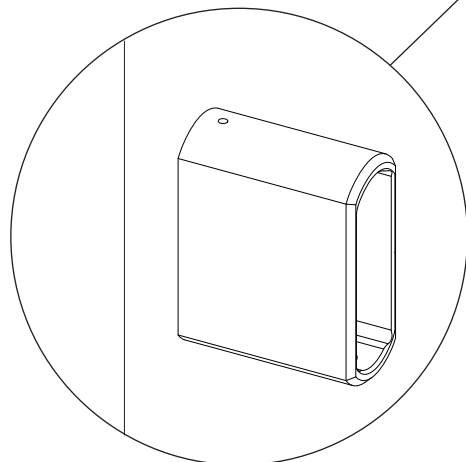
- ① Check track for level.
- ② Adjust the set screw to raise and lower the wall track socket(s) until confirmed level.
- ③ Adjust track socket lateral position manually as needed. The track socket attachment screws must be slightly loose.
- ④ Ensure track socket(s) to be level and plumb, and mark the determined positions on the framed wall.



*Installation with door panel on the inside illustrated here.

17. TIGHTEN WALL SOCKET(S)

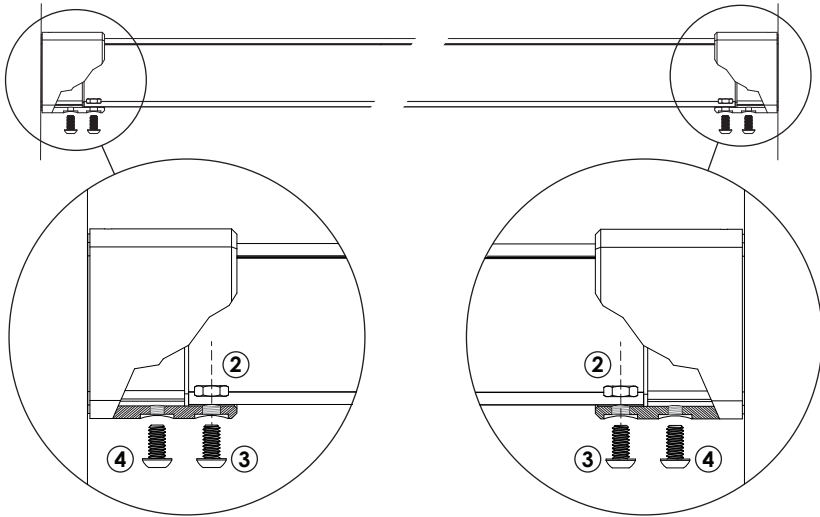
- ① Remove the track base and uninstall the track socket(s) from the framed wall.
- ⚠ Note location of each removed track socket location. Set screws are likely to be in unique positions.
- ② Fill all drilled holes with caulk for moisture protection.
- ③ Reinstall the socket(s) aligned with the final position marks. Fully tighten the mounting screws.
- ⚠ Ensure that socket remains in determined position(s) after tightening.



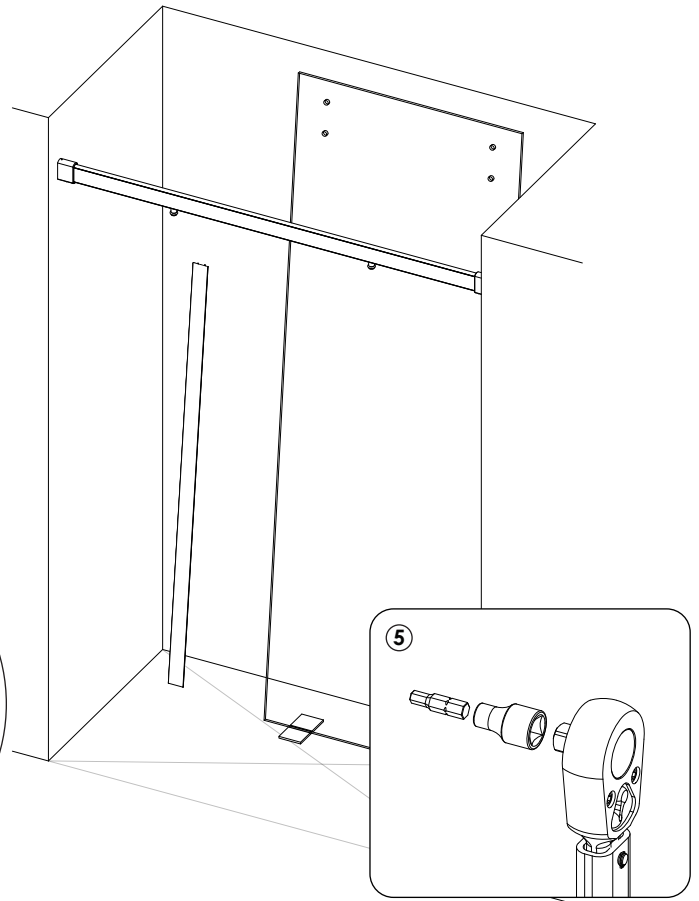
*Installation with door panel on the inside illustrated here.

18. PERMANENTLY INSTALL TRACK BASE

- ① Insert the track base into the tightened track sockets. Center track so that each end is evenly inserted into each track socket.
- ⚠ Ensure that the track is installed in the correct orientation.
- ② Slide hex nuts previously inserted into the track base aligned with the holes nearest the opening of each socket. Adjust position of track as needed.
- ③ Install provided button head screws into the hex nut at each end.
- ④ Install provided button head screws into the remaining threaded hole on the bottom of each track socket.
- ⑤ Torque all 4 fasteners to 110 in-lbs (9.5 ft-lbs).

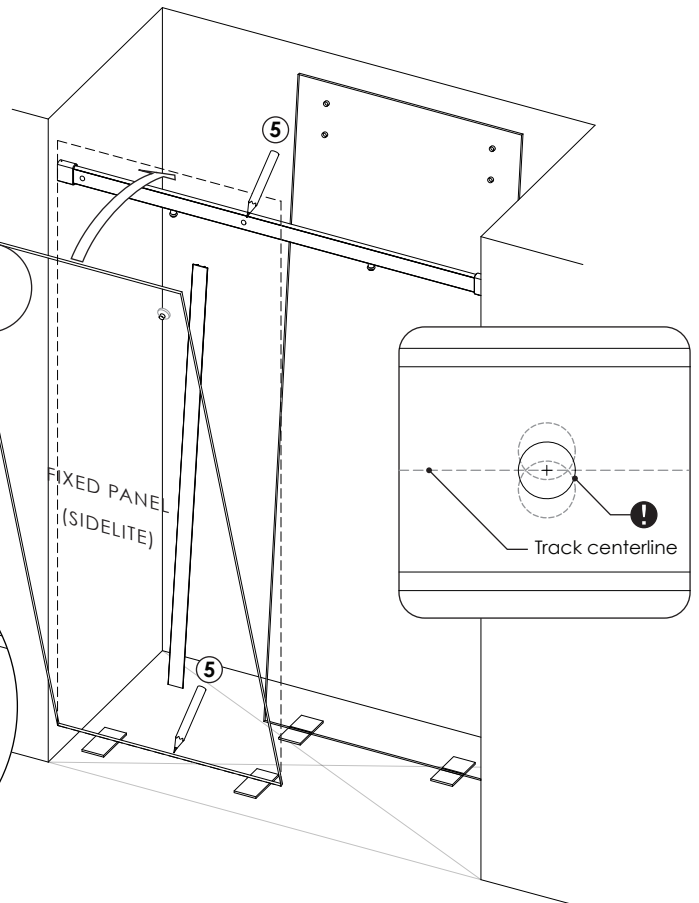
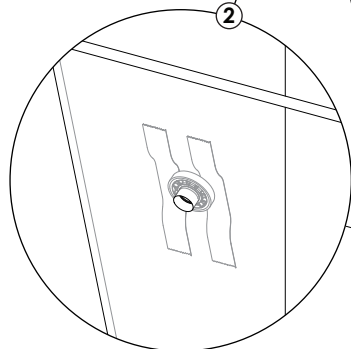
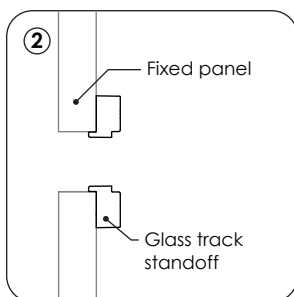


*Installation with door panel on the inside illustrated here.



19. DEFINE FIXED PANEL POSITION

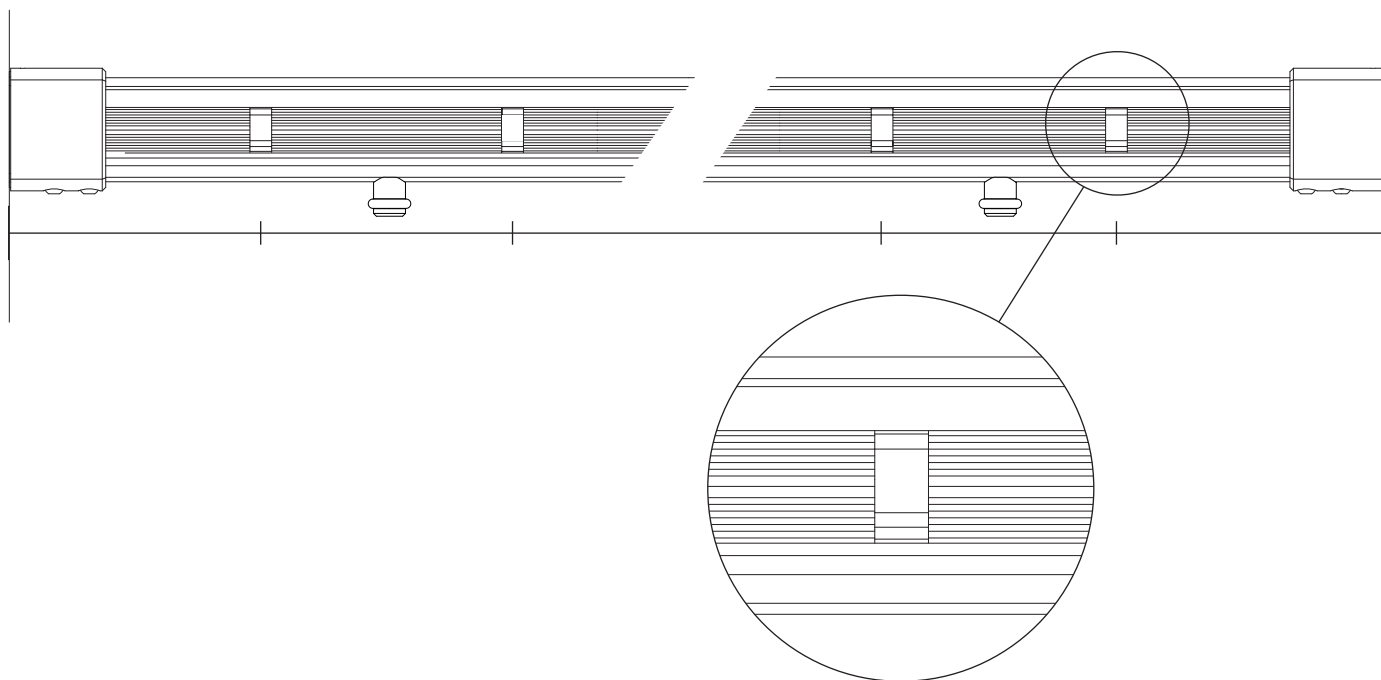
- ① Position the previously determined fixed panel floor treatment (channels, clips, and shims) on the floor.
- ② Temporarily tape the track standoffs to the holes in the fixed panel as shown. Do not cover holes.
- ③ Tilt or slide fixed panel into position against the track.
- ⚠ Ensure that the fixed panel holes align within 1/8" of the track centerline. Shim fixed panel as needed.
- ④ Adjust fixed panel laterally to set gaps for wall glazing.
- ⑤ Transfer the fixed panel hole locations onto the track base for drilling.
- ⑥ Mark the position of the fixed panel and any floor treatment hardware on the floor.
- ⑦ Remove the fixed glass panel and set aside. Remove the standoffs from the fixed panel.
- ⑧ Install any fixed panel floor treatment hardware per manufacturers specifications.



*Installation with door panel on the inside illustrated here.

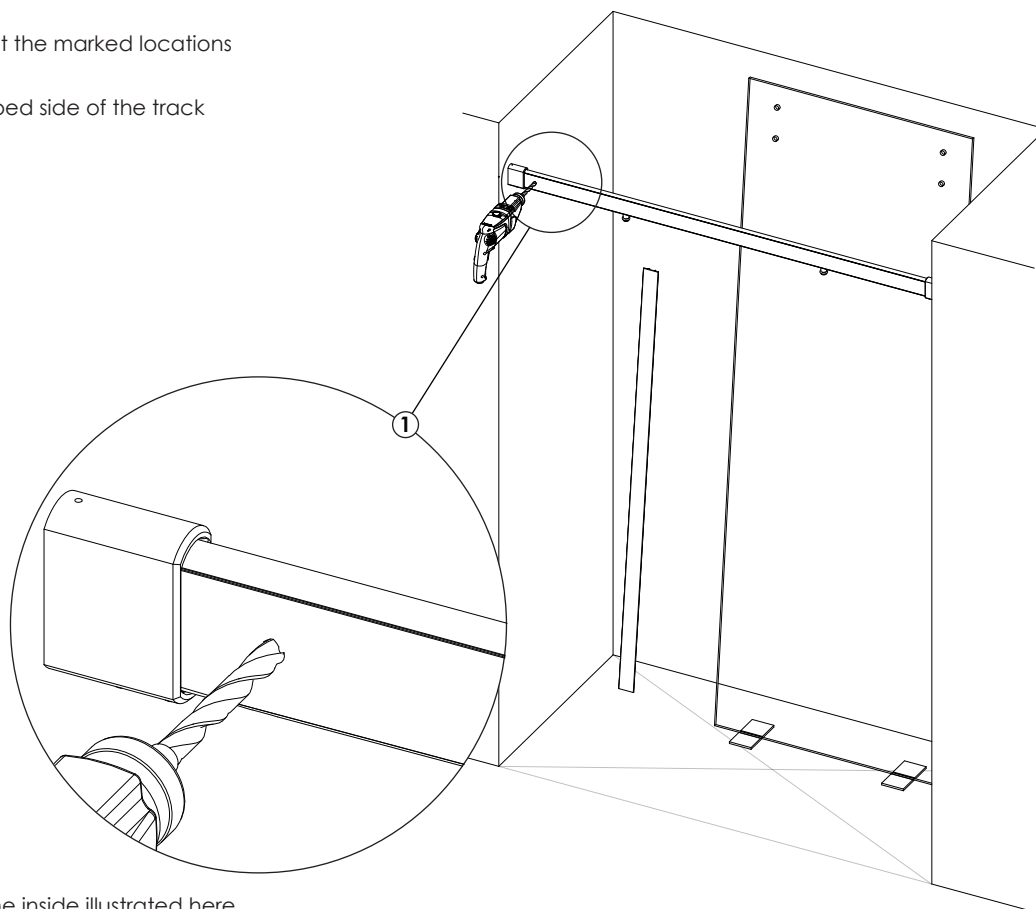
20. POSITION TRACK SPRINGS

- ① Spread the track springs evenly across the track. To do this, push in the middle of the spring and gently slide.
- ⚠ Make sure that track springs are not positioned in the marked track base hole locations.



21. DRILL TRACK BASE FOR FIXED PANEL

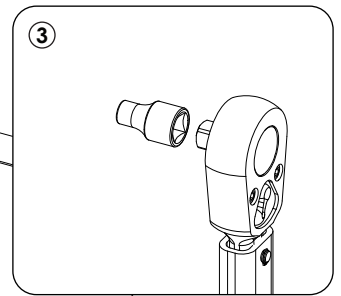
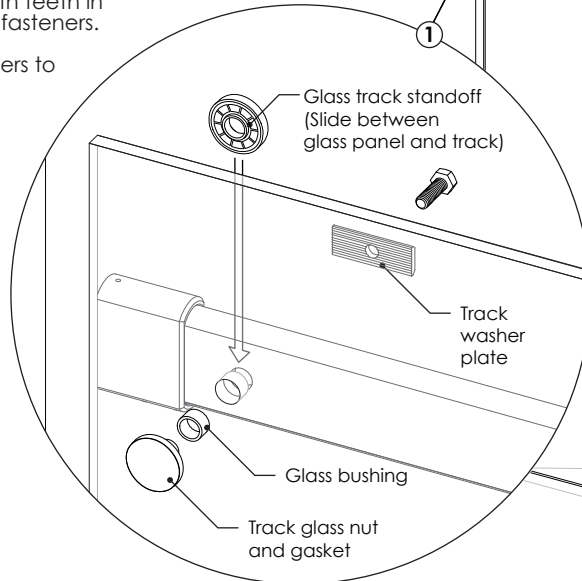
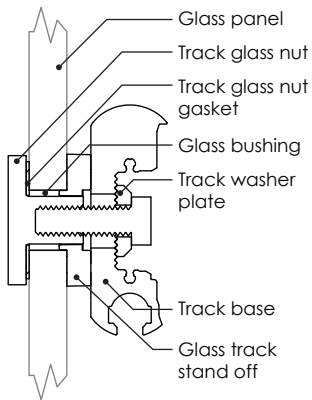
- ① Drill the track base in position at the marked locations as shown using a $9/16$ " drill bit.
- ② Remove any burrs from the ribbed side of the track base.



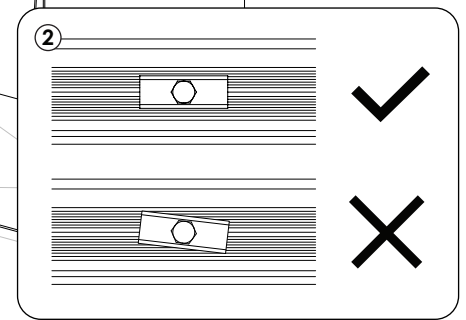
*Installation with door panel on the inside illustrated here.

22. INSTALL FIXED PANEL

- ① Position the fixed panel in place and attach to the track base using the mounting point hardware as shown.
- ⚠ Makes sure all shimming and glazing gaps are still correct and make necessary adjustments as needed. Mounting points provide up to 1/4" lateral and vertical adjustment.
- ⚠ Track glass nuts come assembled with gaskets and bushings. Both must be used at each mounting point.
- ② Ensure that washer teeth align with teeth in the track base before tightening fasteners.
- ③ Torque the mounting point fasteners to 120 in-lb (10 lb-ft).
- ⚠ Do not use an impact driver.



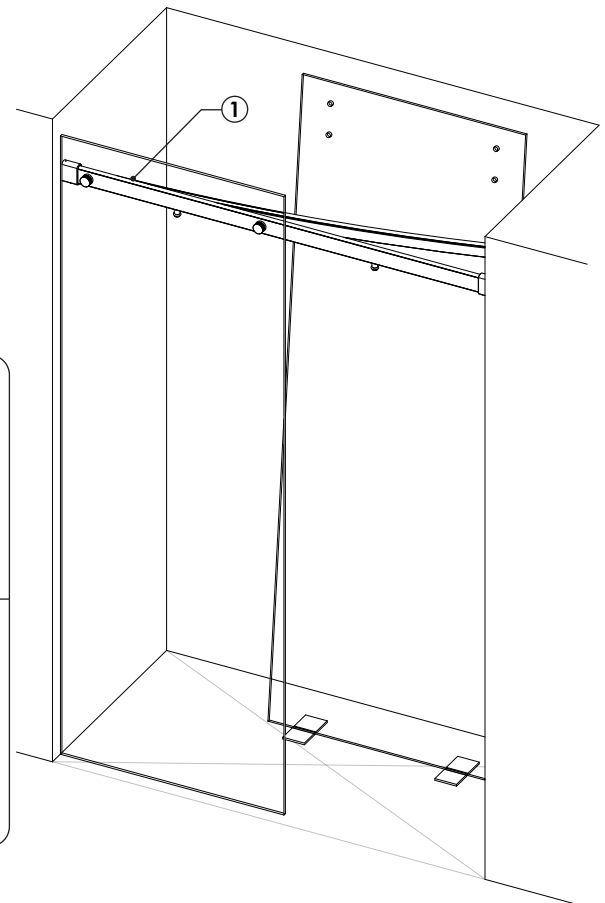
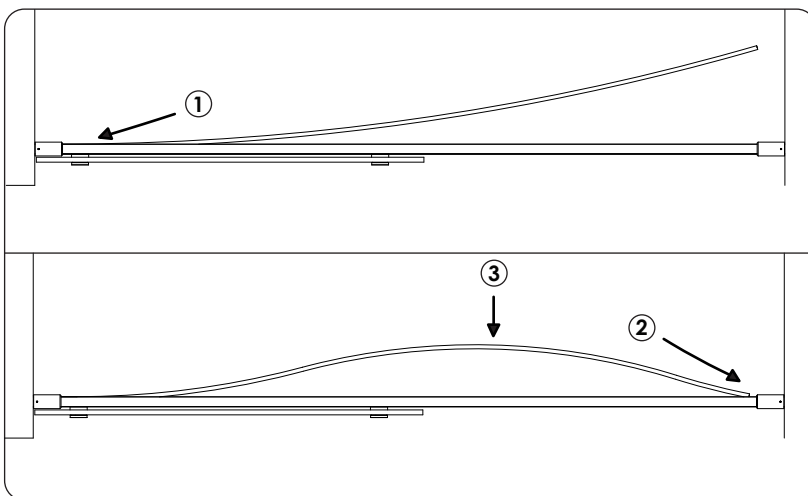
Panel Thickness	Length
3/8"	7/8"
1/2"	1"



*Installation with door panel on the inside illustrated here.

23. INSTALL TRACK COVER

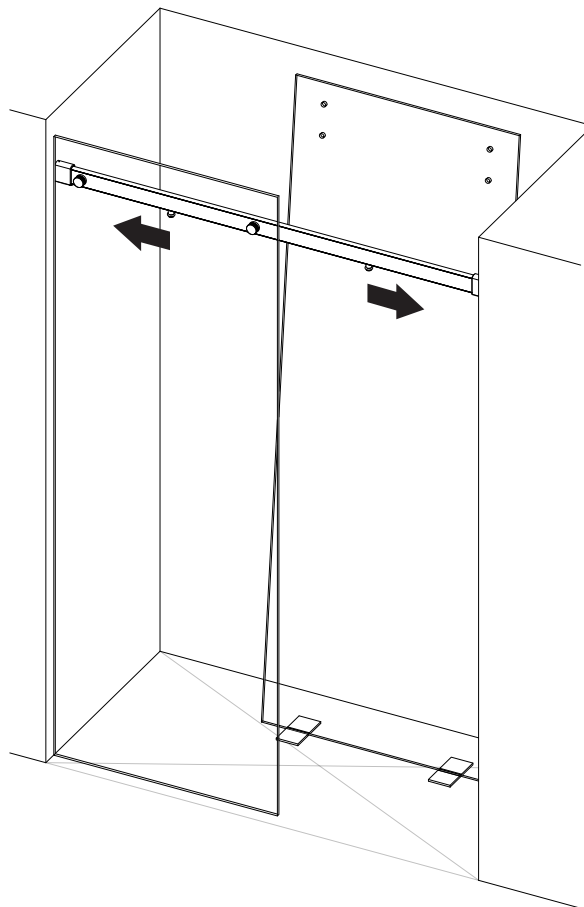
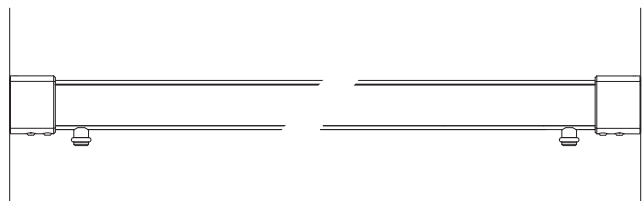
- ① Gently slide one end of the track cover into one track socket.
- ⚠ Ensure that the arrows on the back of the cover are pointing up.
- ② Carefully flex the track cover in the middle and insert the other end into the opposite track socket.
- ⚠ Over-flexing the cover can result in permanent deformation.
- ③ With both track ends inserted into sockets, press the track cover securely into place along the entire length to fully engage track springs.



*Installation with door panel on the inside illustrated here.

24. MOVE DOOR STOPS

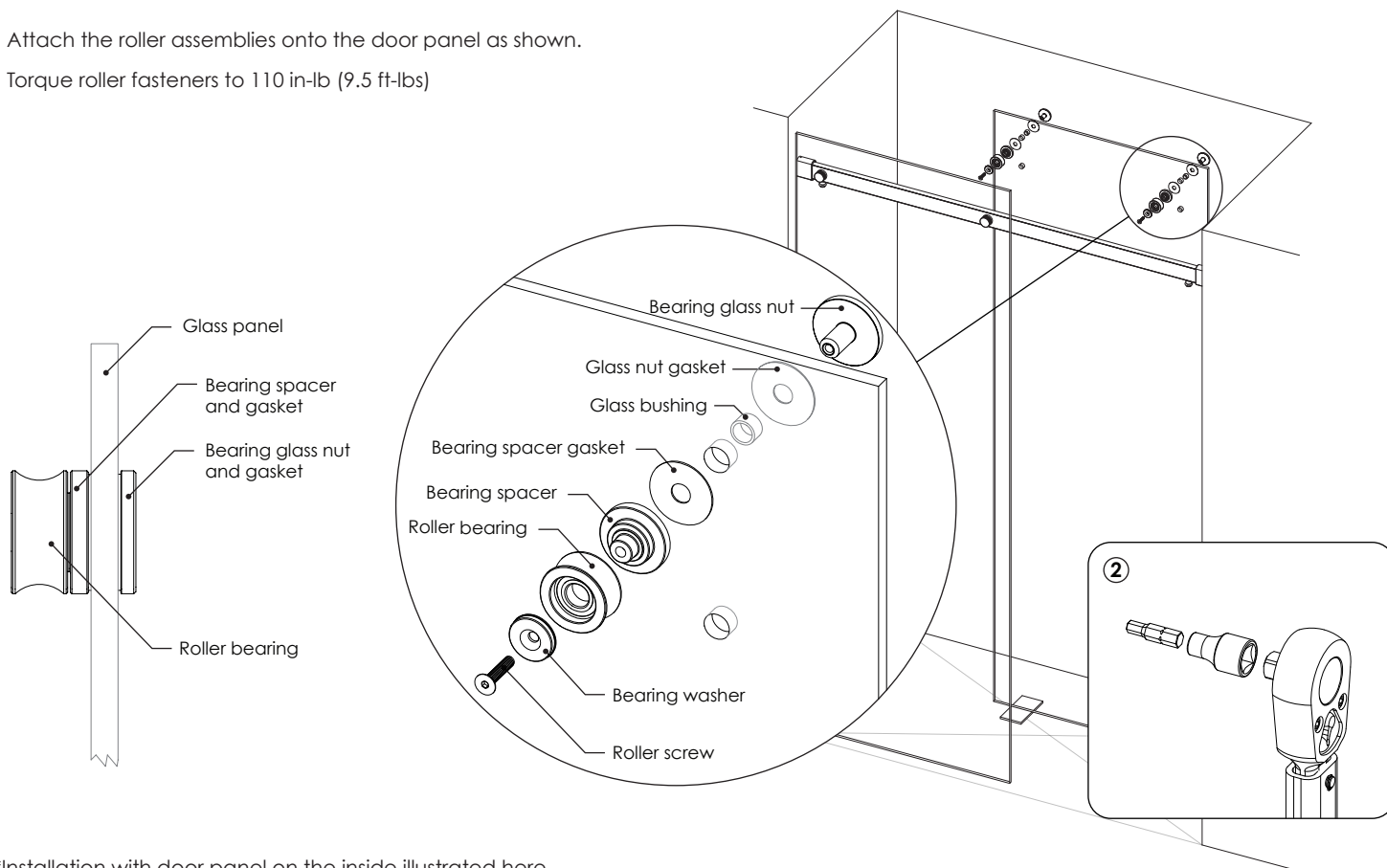
- 1 Slide each door stop to the ends of the track. Do not yet secure.



*Installation with door panel on the inside illustrated here.

25. INSTALL ROLLERS

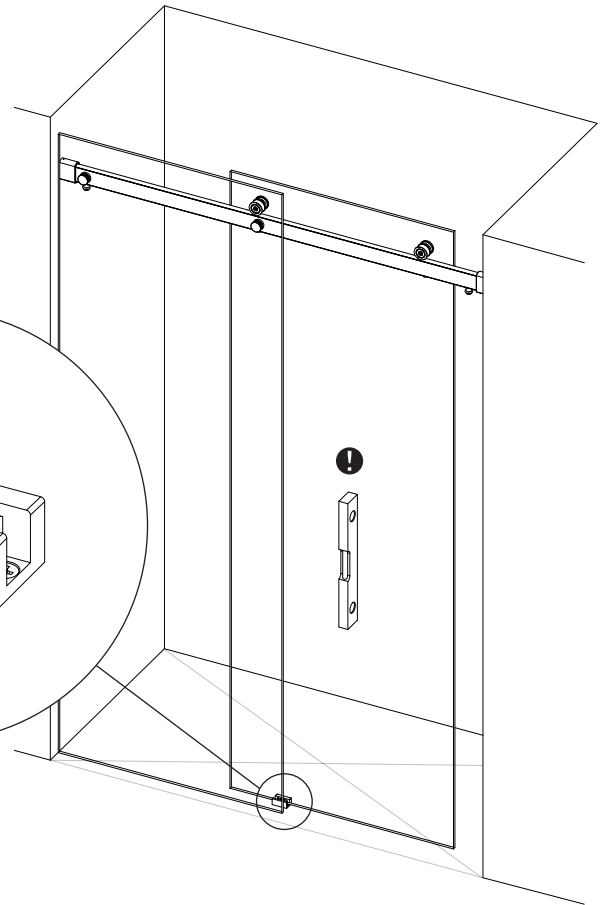
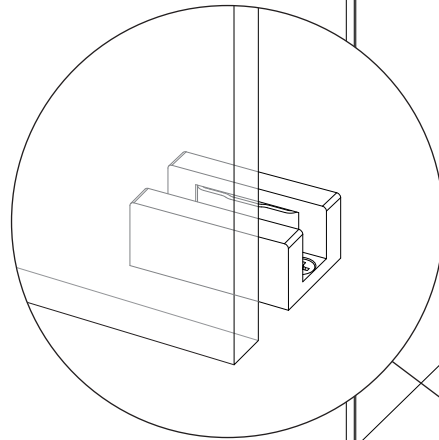
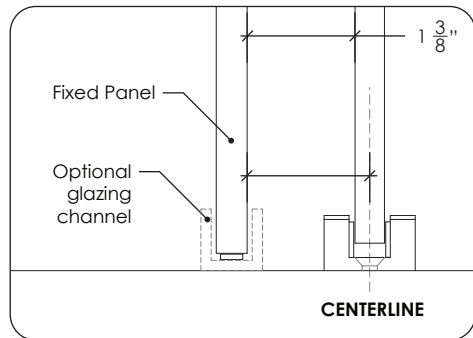
- 1 Attach the roller assemblies onto the door panel as shown.
- 2 Torque roller fasteners to 110 in-lb (9.5 ft-lbs)



*Installation with door panel on the inside illustrated here.

26. INSTALL FLOOR GUIDE

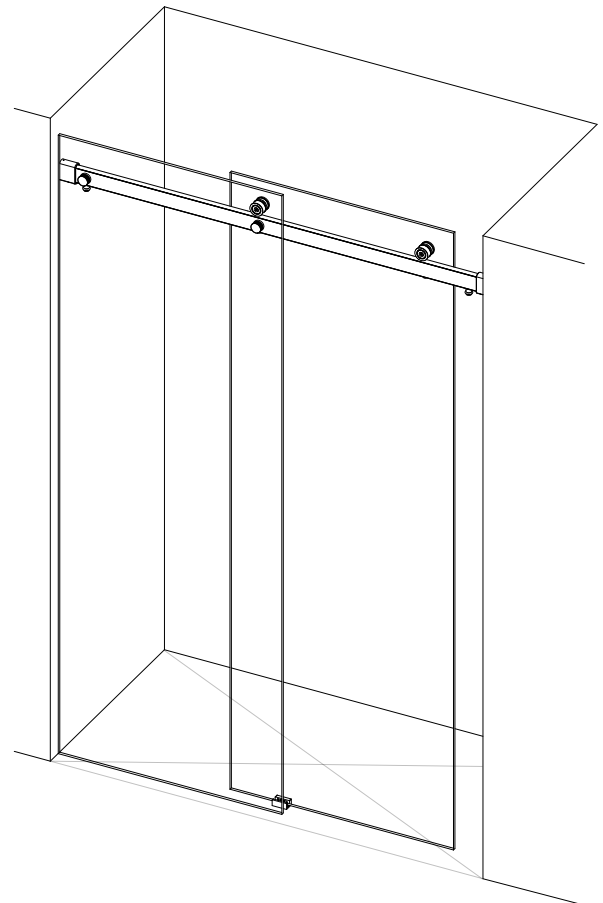
- ① Carefully hang the door panel.
- ⚠ Note that door panel is not yet constrained in its travel and can cause damage to glass and wall.
- ⚠ Note that safety stops are not yet installed which can cause door panel can derail.
- ② Follow the separately included installation instructions.



*Installation with door panel on the inside illustrated here.

27. ADJUST DOOR PANEL

- ① If desired door panel to floor clearance is not achieved, remove door panel and adjust track height in step 16.
- ⚠ If installed, bottom door seal should lightly touch the floor and freely pass through the floor guide along the full length of door travel.



*Installation with door panel on the inside illustrated here.

28. OPTIONAL - INSTALL DOOR SEALS

① Install fin seal.

-Cut seal to length:

SEAL LENGTH = DOOR PANEL HEIGHT - 8"

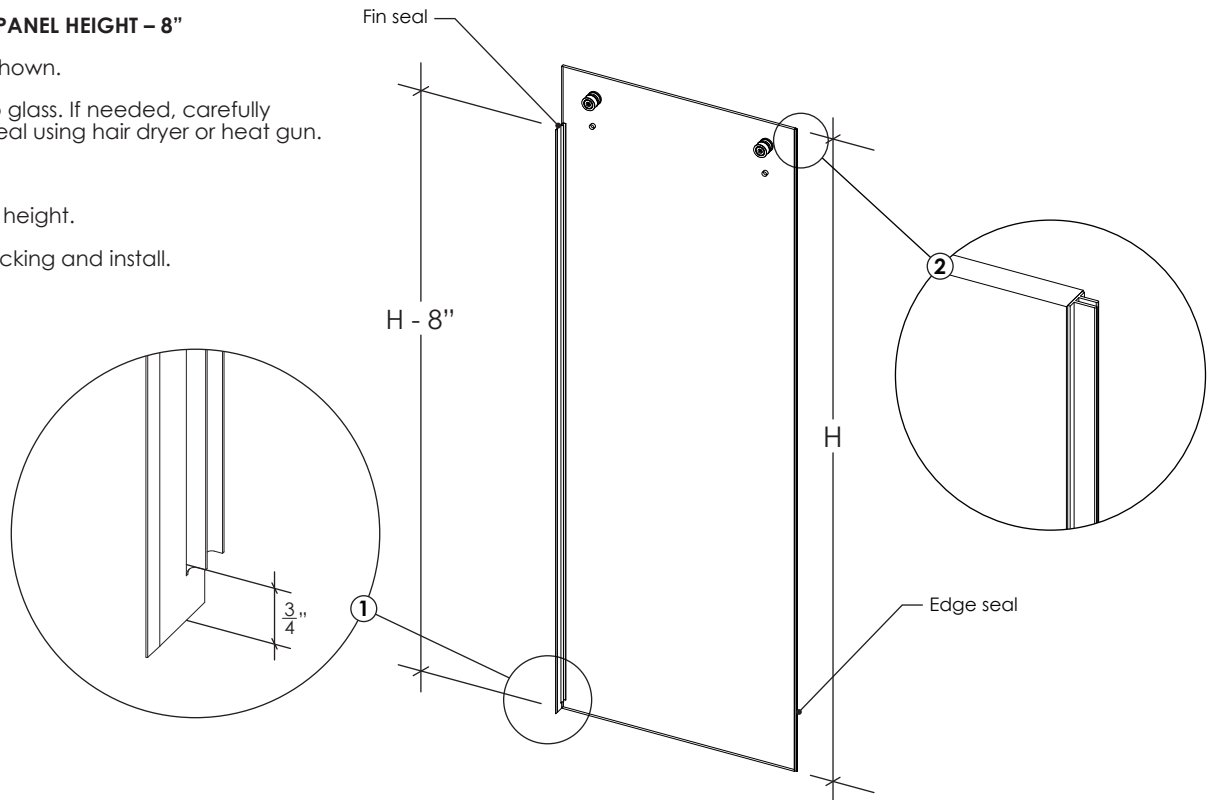
-Trim bottom area as shown.

❗ Do not force seal onto glass. If needed, carefully apply heat to soften seal using hair dryer or heat gun.

② Install edge seal:

-Cut to full door panel height.

-Remove adhesive backing and install.



29. INSTALL SAFETY STOPS

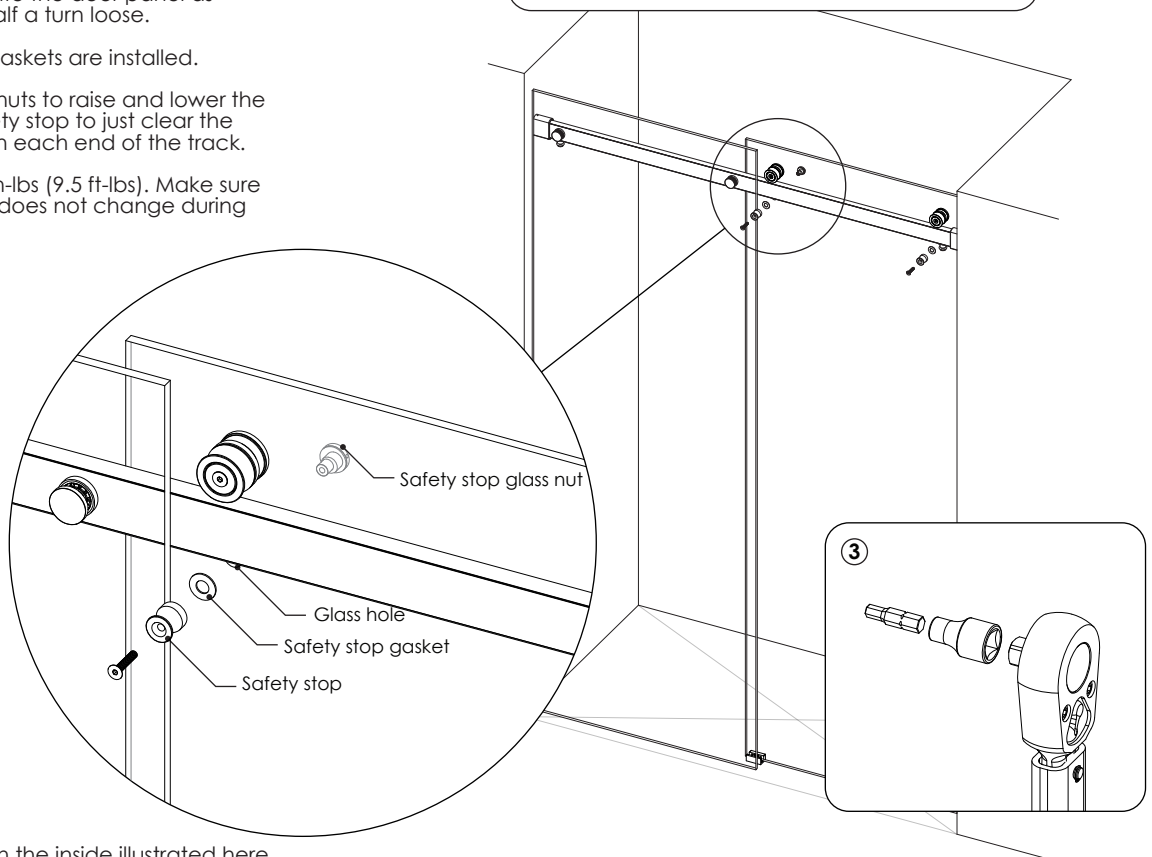
① Assemble the safety stops onto the door panel as shown, leaving the screws half a turn loose.

❗ Ensure that the Safety stop gaskets are installed.

② Rotate the safety stop glass nuts to raise and lower the assemblies. Adjust each safety stop to just clear the door stop track protectors on each end of the track.

③ Torque the fasteners to 110 in-lbs (9.5 ft-lbs). Make sure that the safety stop position does not change during tightening.

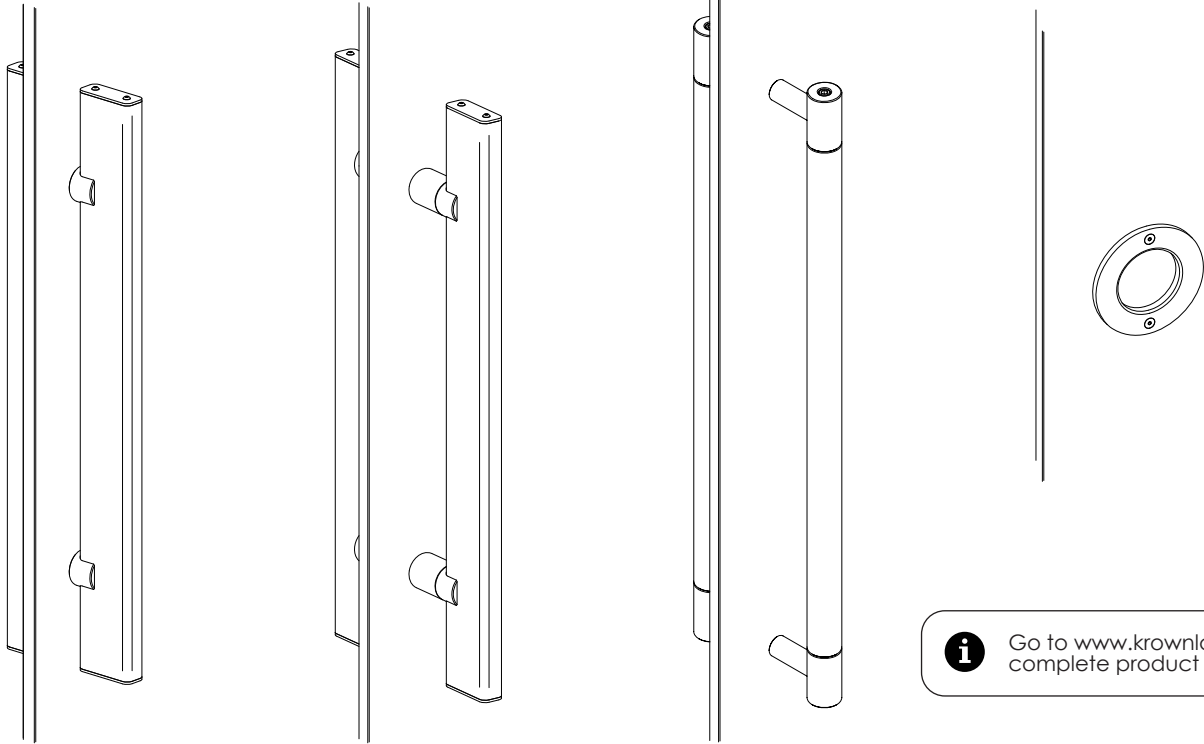
⚠ Not correctly installing safety stops can result in the door panel derailing during normal use which can cause damage and a safety hazard.



*Installation with door panel on the inside illustrated here.

30. INSTALL DOOR PULLS

- ① If applicable, install door pulls following applicable installation instructions.



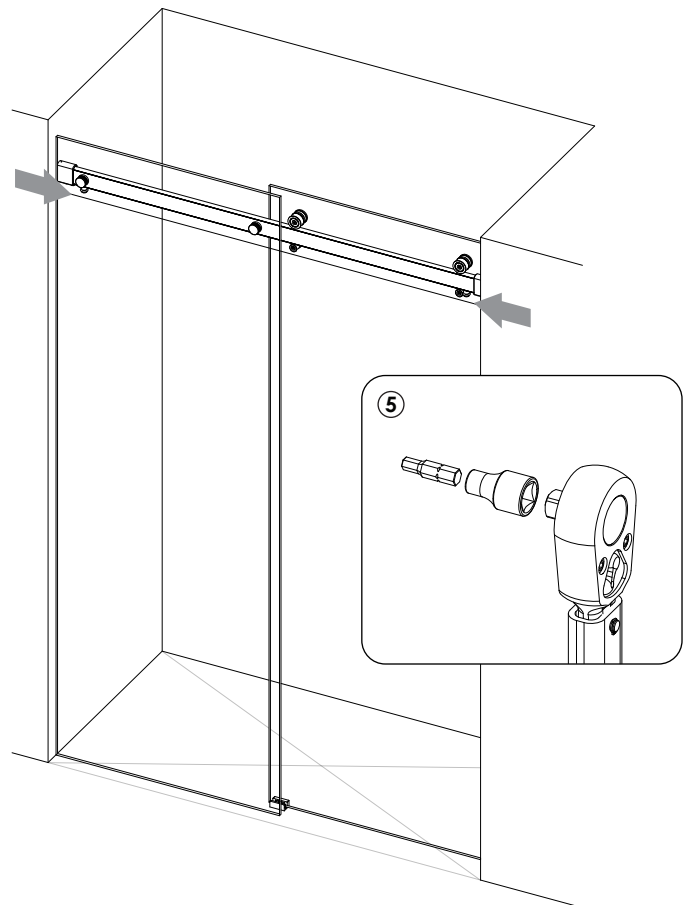
i Go to www.krownlab.com for our complete product range.

31. SET DOOR TRAVEL

- ① With the door in the desired open position, slide the door stop until it touches the adjacent safety stop.
- ❗ Note any protruding door pulls.
- ② Repeat with the door in the closed position, sliding the door stop until it touches the adjacent safety stop.
- ❗ Verify that the floor guide is properly engaged in both the fully open and fully closed positions.
- ③ Tighten all door stop fasteners in place by hand.
- ④ Confirm that door stop locations have not shifted while tightening. Readjust if needed.
- ⑤ Using a torque wrench, tighten fasteners to 110 inch-lbs (9.5 ft-lbs).



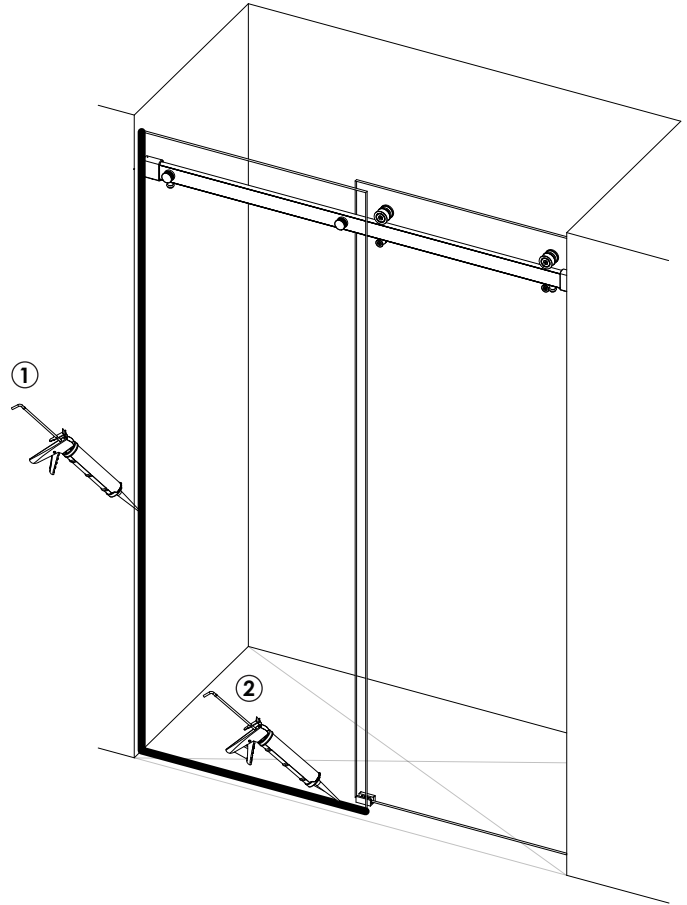
Not tightening door stops to provided specs can cause glass breakage and a safety hazard.



*Installation with door panel on the inside illustrated here.

32. GLAZING

- ① Glaze the fixed and return panels at the wall and the floor with clear silicone.
- ② Wet glaze any channels used in the install.



*Installation with door panel on the inside illustrated here.

33. CARE AND MAINTENANCE

- ⚠ Krownlab products require routine care and maintenance. Read and understand these requirements in our Product Care & Maintenance guide.
- ① Thoroughly clean product and remove all debris and fingerprints immediately after installation as described in our Product Care & Maintenance guide.
- ② Enjoy your new exceptional Krownlab Sliding Door System.



Not properly following Krownlab's Care & Maintenance guide can cause excessive wear and degrade product performance over time.

