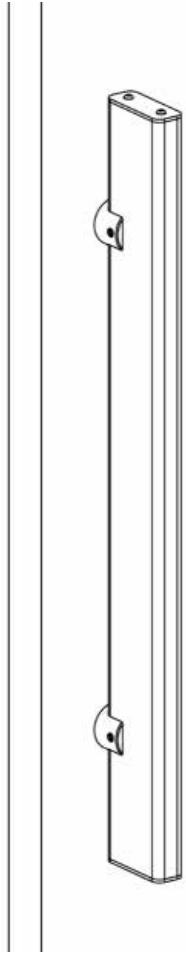
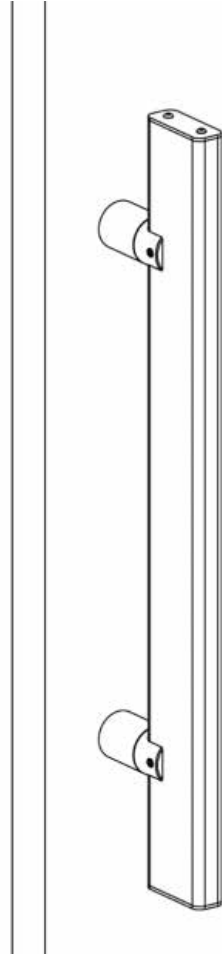


INGER DOOR PULL - INSTALLATION INSTRUCTIONS

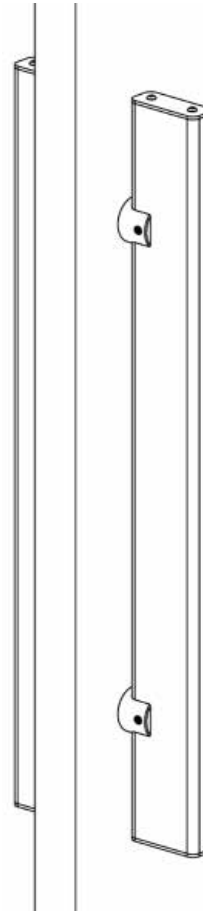
WOOD DOOR PANELS



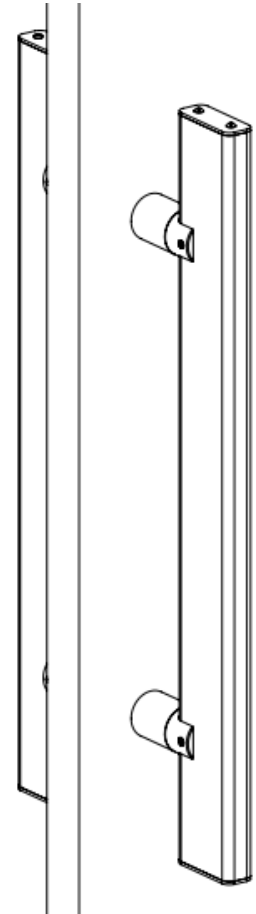
**SINGLE-SIDED
FLUSH-MOUNT**



**SINGLE-SIDED
W/ STAND-OFF**



**DOUBLE-SIDED
FLUSH-MOUNT**

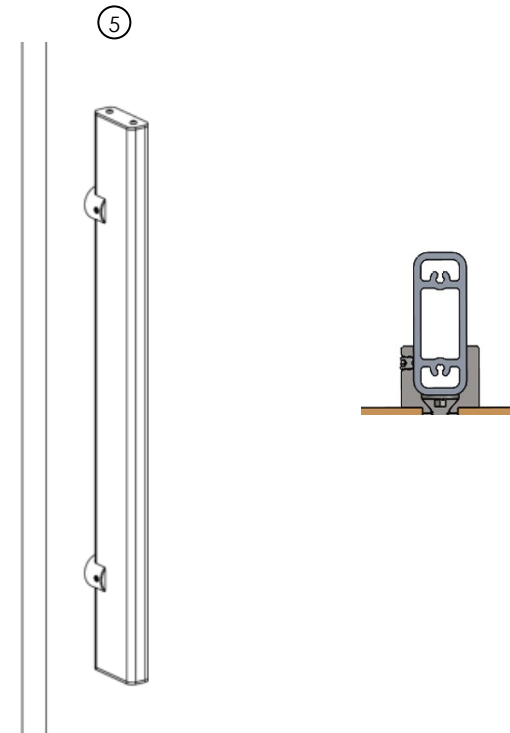
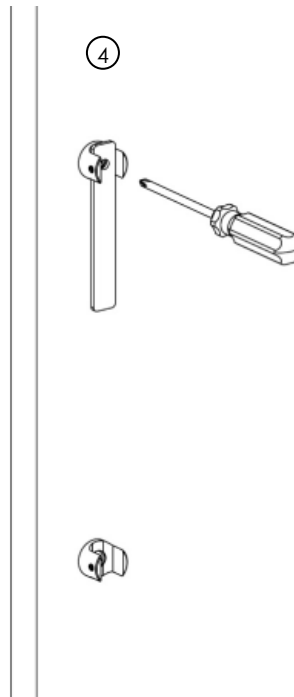
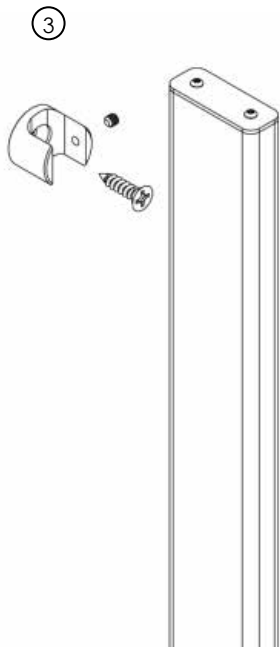
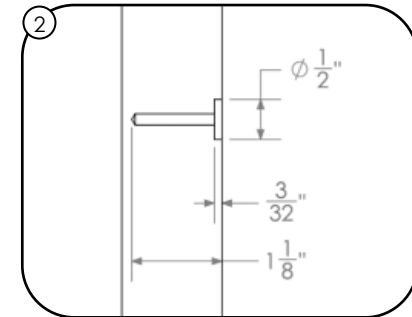


**DOUBLE-SIDED
W/ STAND-OFF**

INGER DOOR PULL - INSTALLATION INSTRUCTIONS

WOOD PANEL | SINGLE-SIDED | FLUSH-MOUNT

- (!) If door pull is cut to length on site, reinstall the End Caps.
- ① Determine door mounting point locations that satisfy the following requirements:
 - The span between mounting points is no greater than 36".
 - The end of the Door Pull extends 3" to 10" beyond the end mounting point.
 - The mounting points are located within the Door Style, i.e., into solid wood.
 - ② Drill the door panel at each mounting point as shown.
 - ③ Install each Door Pull Mount as shown using provided fastener. Do not tighten to allow for easy Door Pull alignment in the following step.
 - ④ Fully tighten Door Pull Mounts in a vertical position using provided Alignment tool. Exact torque is dependent upon hardness of door material.
 - ⑤ Install Door Pull at desired height by tightening the set screws to 30 inch-lbs. (2.5 ft-lbs.)

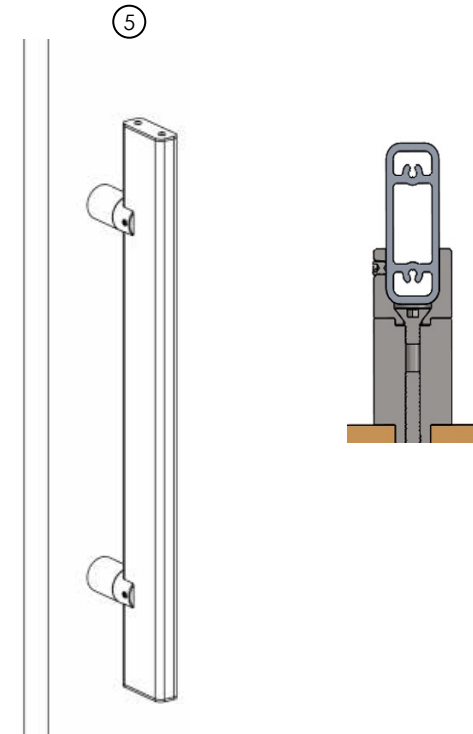
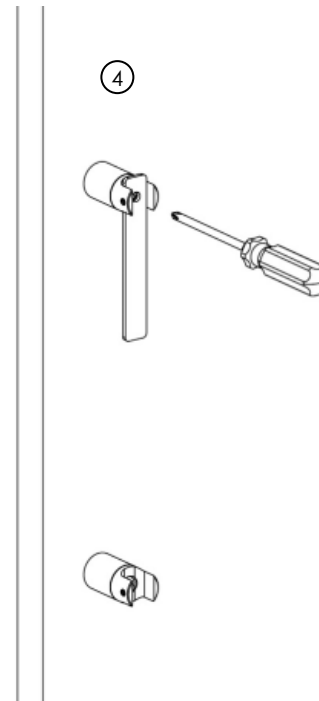
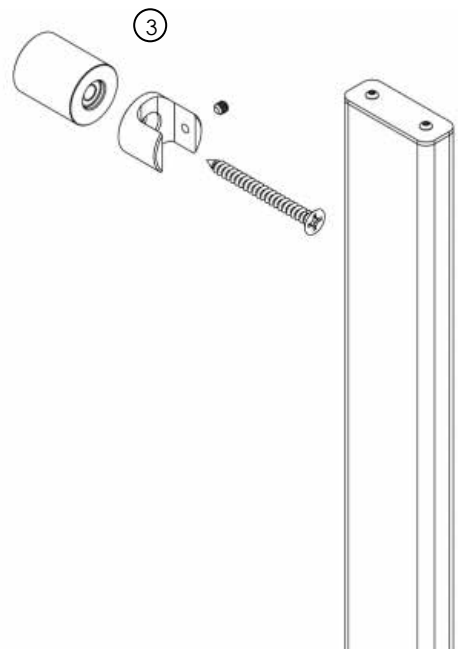
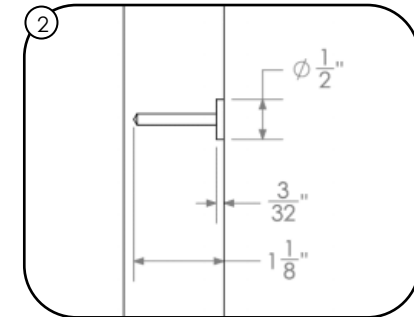


INGER DOOR PULL - INSTALLATION INSTRUCTIONS

WOOD PANEL | SINGLE-SIDED | W/ STAND-OFF

(!) If door pull is cut to length on site, reinstall the End Caps.

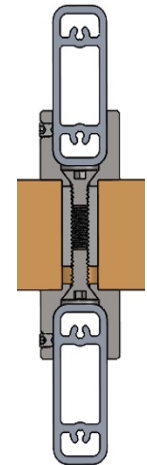
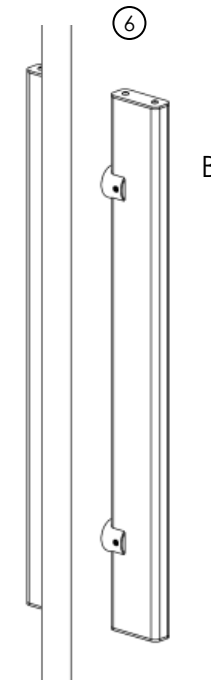
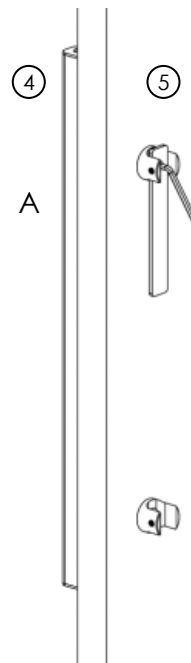
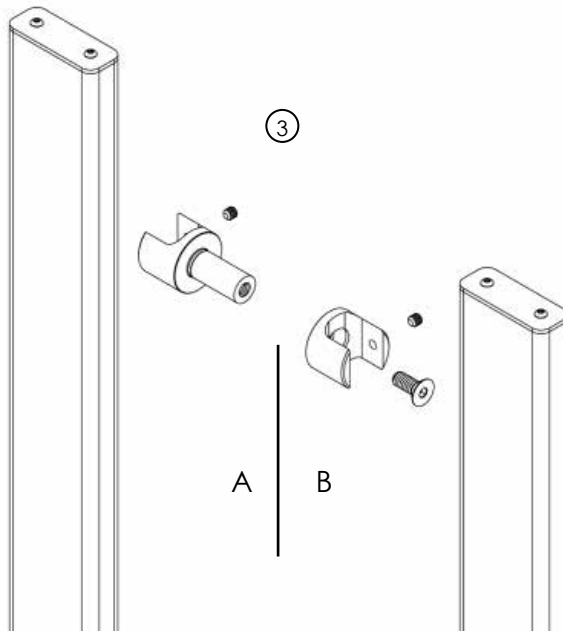
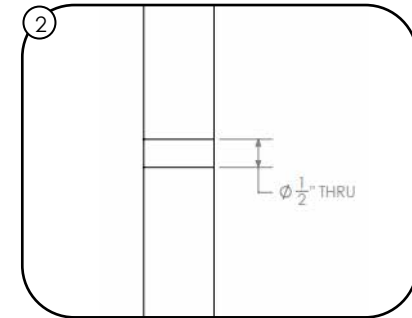
- ① Determine door mounting point locations that satisfy the following requirements:
 - The span between mounting points is no greater than 36".
 - The end of the Door Pull extends 3" to 10" beyond the end mounting point.
 - The mounting points are located within the Door Style, i.e., into solid wood.
- ② Drill the door panel at each mounting point as shown.
- ③ Install each Door Pull Mount as shown using provided fastener. Do not tighten to allow for easy Door Pull alignment in the following step.
- ④ Fully tighten Door Pull Mounts in a vertical position using provided Alignment tool. Exact torque is dependent upon hardness of door material.
- ⑤ Install Door Pull at desired height by tightening the set screws to 30 inch-lbs. (2.5 ft-lbs.)



INGER DOOR PULL - INSTALLATION INSTRUCTIONS

WOOD PANEL | DOUBLE-SIDED | FLUSH-MOUNT

- (!) If door pull is cut to length on site, reinstall the End Caps.
- Determine door mounting point locations that satisfy the following requirements:
 - The span between mounting points is no greater than 36".
 - The end of the Door Pull extends 3" to 10" beyond the end mounting point.
 - The mounting points are located within the Door Style, i.e., into solid wood.
 - Drill the door panel at each mounting point as shown.
 - Install each Door Pull Mount as shown using the correct length screw for your door panel thickness. Do not tighten to allow for easy Door Pull alignment in the following steps.
 - Install Door Pull on A-side at desired height by tightening the set screws to 30 inch-lbs. (2.5 ft-lbs.)
 - Using a Low or Medium-Strength thread-locker, softly tighten Door Pull Mounts to at least 40 inch-lbs. (3.3 ft-lbs.) in a vertical position using provided Alignment tool. Exact torque is dependent upon hardness of door material.
 - Install Door Pull on B-side at desired height by tightening the set screws up to 30 inch-lbs. (2.5 ft-lbs.)



INGER DOOR PULL - INSTALLATION INSTRUCTIONS

WOOD PANEL | DOUBLE-SIDED | W/ STAND-OFF

(!) If door pull is cut to length on site, reinstall the End Caps.

- ① Determine door mounting point locations that satisfy the following requirements:
 - The span between mounting points is no greater than 36".
 - The end of the Door Pull extends 3" to 10" beyond the end mounting point.
 - The mounting points are located within the Door Style, i.e., into solid wood.
- ② Drill the door panel at each mounting point as shown.
- ③ Install each Door Pull Mount as shown using the correct length screw for your door panel thickness. Do not tighten to allow for easy Door Pull alignment in the following steps.
- ④ Install Door Pull on A-side at desired height by tightening the set screws to 30 inch-lbs. (2.5 ft-lbs.)
- ⑤ Using a Low or Medium-Strength thread-locker, softly tighten Door Pull Mounts to at least 40 inch-lbs. (3.3 ft-lbs.) in a vertical position using provided Alignment tool. Exact torque is dependent upon hardness of door material.
- ⑥ Install Door Pull on B-side at desired height by tightening the set screws to 30 inch-lbs. (2.5 ft-lbs.)

