

LOKI

TOP MOUNT

Combine design simplicity and compact form with great value and long-lasting performance. Featuring the Tru-Level track system, obsessively designed for fast and precise installation. Made in the USA from high-grade billet aluminum.

FEATURES

- Fast and easy installs with the Tru-Level™ system, providing a full 1/4" vertical and lateral adjustment at all mounting points.
- Easily set and readjust door travel on site, even after install.
- High precision bearings provide silent and smooth door travel.
- Low profile design, provides highly versatile use.
- Accommodates glass, wood, metal-clad, and composite doors.
- ADA compatible door pull force at full panel weight.
- Designed in Portland, OR. Proudly Made In The USA.
- 10 year commercial warranty.

SPECIFICATIONS

- Single track lengths available up to 12' (142").
- Easily modify track length on site with common tools.
- Track drills easily on site.
- Multiple tracks can easily be joined together.
- Accommodates glass and framed walls.

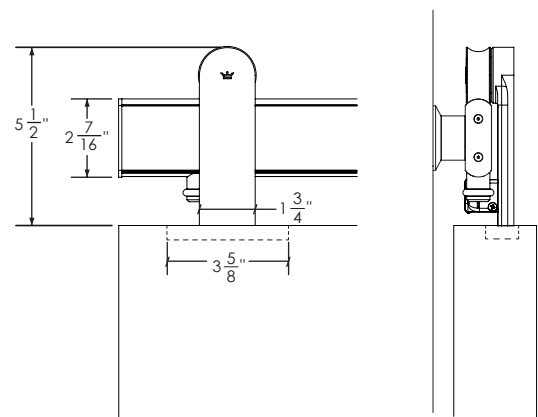
WHAT'S INCLUDED

- 1 x track system with all necessary mounting hardware.
- 2 x door stops.
- 2 x trolleys with all necessary door mounting hardware.
- 1 x door bottom guide.

Visit our website for all compatible options and add-ons.

DETAILS

- Door panel thickness range: 1-3/8" to 3", or up to 2-1/2" with typical door trim.
- Define door panel to wall clearance by adjusting trolley mounting position on top of door.
- Standard 200 lb door weight capacity. Choose Baldur or Oden for heavier door panels, or contact us.



QUICK LOOK

FINISH OPTIONS

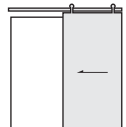


Brushed Stainless

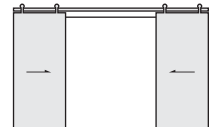


Black Stainless

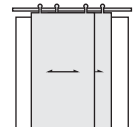
CONFIGURATIONS



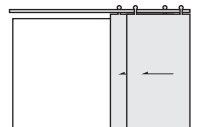
Single



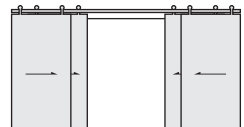
Bi-Part



Bypass



Bypass Stacked



Bi-Part Bypass

WEIGHT CAPACITY

200 lb per panel. Contact us for heavier door panels.

DOOR PANEL COMPATIBILITY

Glass, wood, metal-clad, and composite door panels.

MORE INFORMATION

For more information visit: www.krownlab.com/loki

ORDERING AND PRICING

For inquiries or to place orders, please contact: support@krownlab.com, or call +1 503 292 6998
Trade discounts and volume pricing available.

LOKI

TOP MOUNT

