

# RORIK

## BYPASS

A completely customizable frameless glass sliding shower door enclosure hardware system with industry-leading adjustment features both during and after installation. Compliant with commercial ADA opening requirements.

### FEATURES

- Configurable for 36" clear openings for ADA Roll-In and Transition compliance.
- ADA compatible door pull force at full panel weight.
- Fast and easy installs with the Tru-Level™ system, providing a full 1/4" vertical and lateral adjustment at all mounting points.
- Easily set and readjust door travel on site, even after install.
- High precision bearings provide silent and smooth door travel.
- Designed in Portland, OR. Proudly Made In The USA.
- 10 year commercial warranty.

### SPECIFICATIONS

- Compatible with shower enclosures up to 6'6" wide.
- Track lengths available up to 12' (142") for custom configs.
- Tracks are cut on site to accommodate specific opening width.
- Easily modify track length on site with common tools.
- Compatible with 5/16" to 1/2" glass thickness.

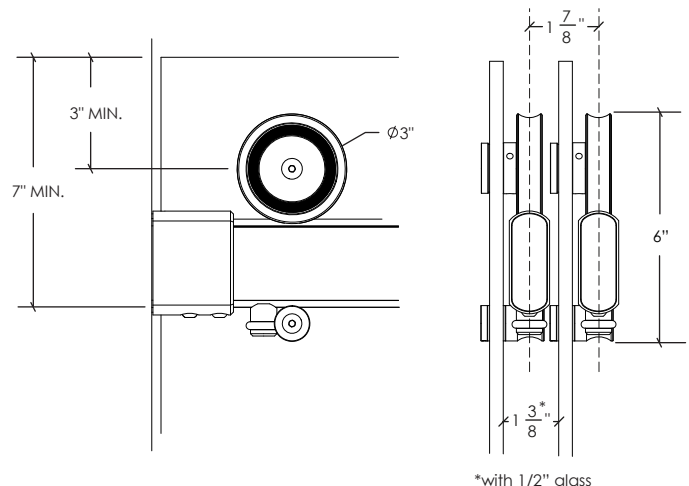
### WHAT'S INCLUDED

- 2 x track system with all necessary mounting hardware.
- 4 x door stops.
- 4 x trolleys with all necessary door mounting hardware.
- 2 x door bottom guides.
- Glass and door pulls are not included.

Visit our website for all compatible options and add-ons.

### DETAILS

- Standard compatible with glass panels 5/16" to 1/2" thick. Contact us for panels outside of this thickness range.
- Up to 125 lb door weight capacity. Contact us for heavier door panels.



## QUICK LOOK

### FINISH OPTIONS

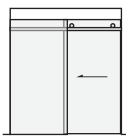


Brushed Stainless

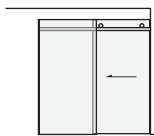


Black Stainless

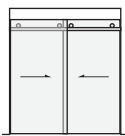
### CONFIGURATIONS



Alcove



Corner



Bypass

### WEIGHT CAPACITY

125 lb per panel. Contact us for heavier door panels.

### MORE INFORMATION

For more information visit: [www.krownlab.com/rorik](http://www.krownlab.com/rorik)

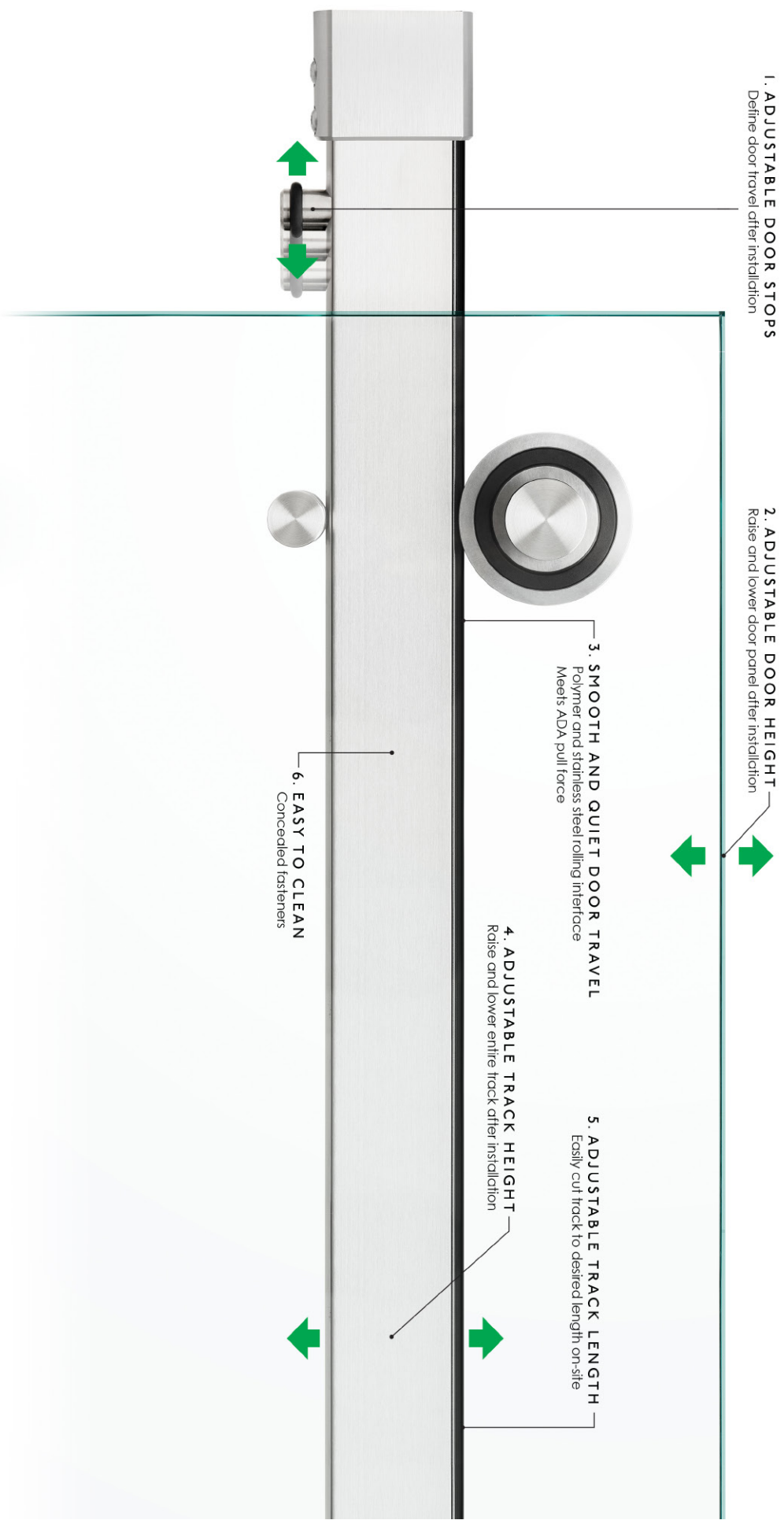
⚠ GLASS IS NOT INCLUDED WITH THE RORIK SYSTEM

### ORDERING AND PRICING

For inquiries or to place orders, please contact: [support@krownlab.com](mailto:support@krownlab.com), or call +1 503 292 6998  
Trade discounts and volume pricing available.

# RORIK

## BYPASSING



**1. ADJUSTABLE DOOR STOPS**  
Define door travel after installation

**2. ADJUSTABLE DOOR HEIGHT**  
Raise and lower door panel after installation

**3. SMOOTH AND QUIET DOOR TRAVEL**  
Polymer and stainless steel rolling interface  
Meets ADA pull force

**4. ADJUSTABLE TRACK HEIGHT**  
Raise and lower entire track after installation

**5. ADJUSTABLE TRACK LENGTH**  
Easily cut track to desired length on-site

**6. EASY TO CLEAN**  
Concealed fasteners