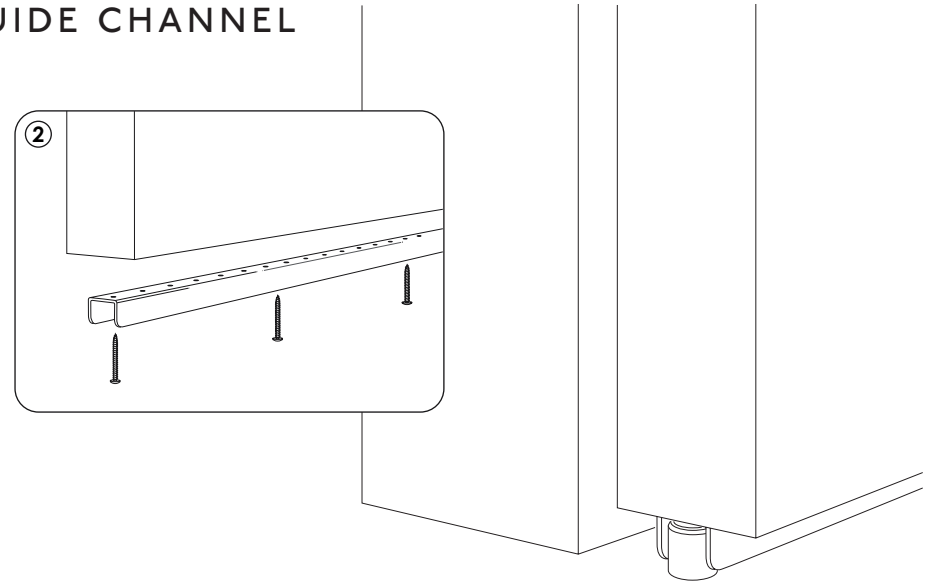


# INSTALLATION INSTRUCTIONS - WOOD DOOR GUIDE CHANNEL

## OPTION A - SURFACE MOUNTED CHANNEL

- ① If necessary, cut the length of the channel to match the width of the door panel.
- ② Using the screws provided, mount the channel to bottom of door panel with fasteners at each end and with maximum 18" spacing in between.
- ③ Return to the main installation instruction document.



## OPTION B - RECESSED CHANNEL

- ① Route the bottom of the door panel along its entire length as shown.
- ❗ If the door panel overlap is 2" or more, it is possible to conceal the routed channel by terminating it short of the door panel edges.
- ② If necessary, cut the length of the channel to match the length of the routed channel.
- ③ Using the screws provided, mount the channel to bottom of door panel with fasteners at each end and with maximum 18" spacing in between.
- ④ Return to the main installation instruction document.

