

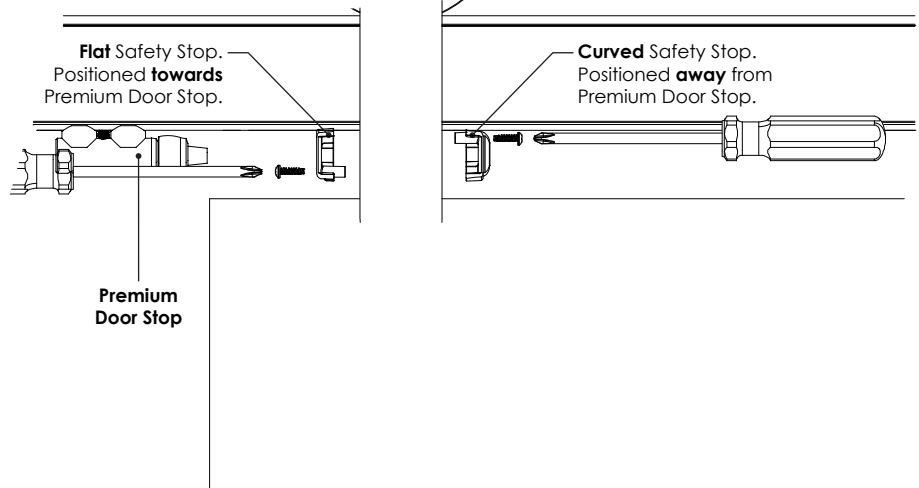
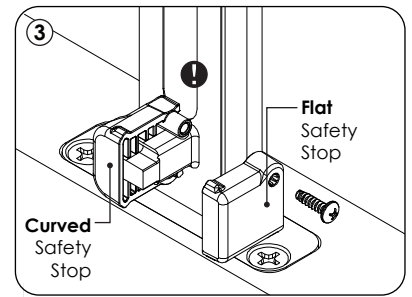
PREMIUM DOOR STOP INSTALLATION

If installing Premium Door Stops, reference the Standard Door Stop installation instructions in your product's main document in parallel.

Premium Door Stops are installed into the track base the same way as Standard Door Stops.

- 1 Remove protective cap from trolley post.
 - 2 For **Premium Door Stop** installation, place flat safety stop towards door stop, and curved safety stop away from door stop as shown.
 - 3 Ensure the first safety stop is fully seated and properly aligned so that half of the trolley post is completely covered by the safety stop.
 - 3 Slide the second safety stop over the other side of the post.
 - 4 Ensure that both safety stops are aligned and fully seated.
 - 5 Thread provided screws into both sides of the safety stops using a #2 Phillips Screw Driver and lightly tighten.
 - 6 Repeat above steps for second trolley with reverse safety stop positions.
-
- 7 Using a torque wrench, torque all fasteners to 108 inch-lbs (9 ft-lbs).
- !
- The Premium Door Stop is designed to compress when impacted. Door panels must have appropriate clearance to avoid damage from adjacent doors and objects.

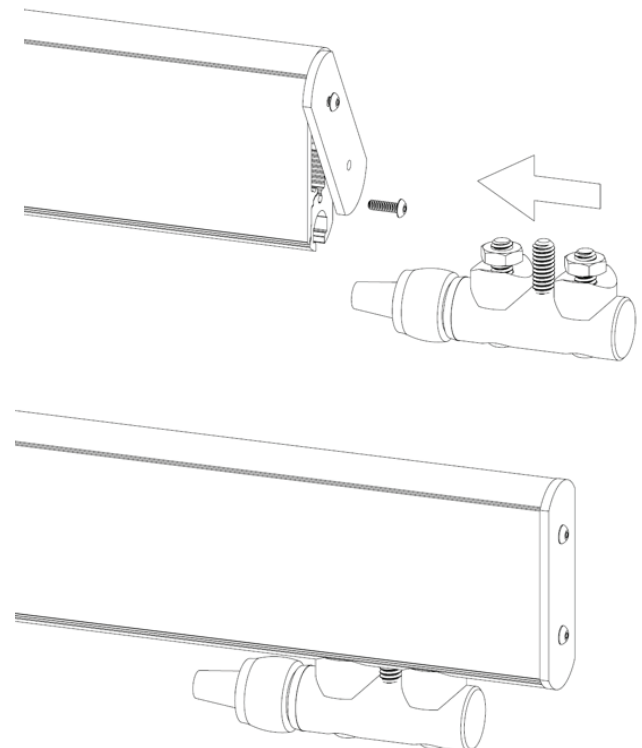
NOTE: Keep the protective caps and reuse when removing and rehangng door panel to prevent damage to the track.




PREMIUM DOOR STOP INSTALLATION - POST INSTALL UPGRADE

Premium Door Stops can be installed after a product is in use.

- 1 Remove the bottom screw and loosen the top screw of each end cap to remove existing door stops.
 - 2 Slightly loosen nuts on the Premium Door Stops and carefully guide both nuts into the track slot to install the Premium Door Stop assembly.
 - 3 Reattach end caps.
 - 4 Remove the previously installed safety stops from the back of each trolley using a #2 Phillips screwdriver.
 - 5 Install Premium Safety Stops as shown above.
 - 6 Position door stops ensuring desired door travel.
 - 7 Tighten the door stops in place by hand with an Allen wrench, confirming that the locations haven't shifted while tightening. Adjust if needed.
 - 8 Using a torque wrench, torque all fasteners to 108 inch-lbs (9 ft-lbs).
- !
- The Premium Door Stop is designed to compress when impacted. Door panels must have appropriate clearance to avoid damage from adjacent doors and objects.



 Not correctly installing safety stop can result in the door panel derailing during normal which can cause damage and a safety hazard.