


DOCUMENT:	PRODUCT SPECIFICATIONS - STANDARD PRE-DRILLED TRACK PATTERNS
SYSTEM:	TRU-LEVEL™ TRACK
MOUNTING STYLE:	FRAMED WALL - STRUCTURAL BLOCKING

DOOR APPLICATION:	SINGLE & BI-PARTING
PANEL THICKNESS:	TROLLEY SYSTEM DEPENDENT
MAXIMUM WEIGHT:	UP TO 400 LBS. SEE BELOW

DRAWING SCALE:	1" = 1'-0" (1:12)
UNITS:	INCHES
DATE:	1/11/2024

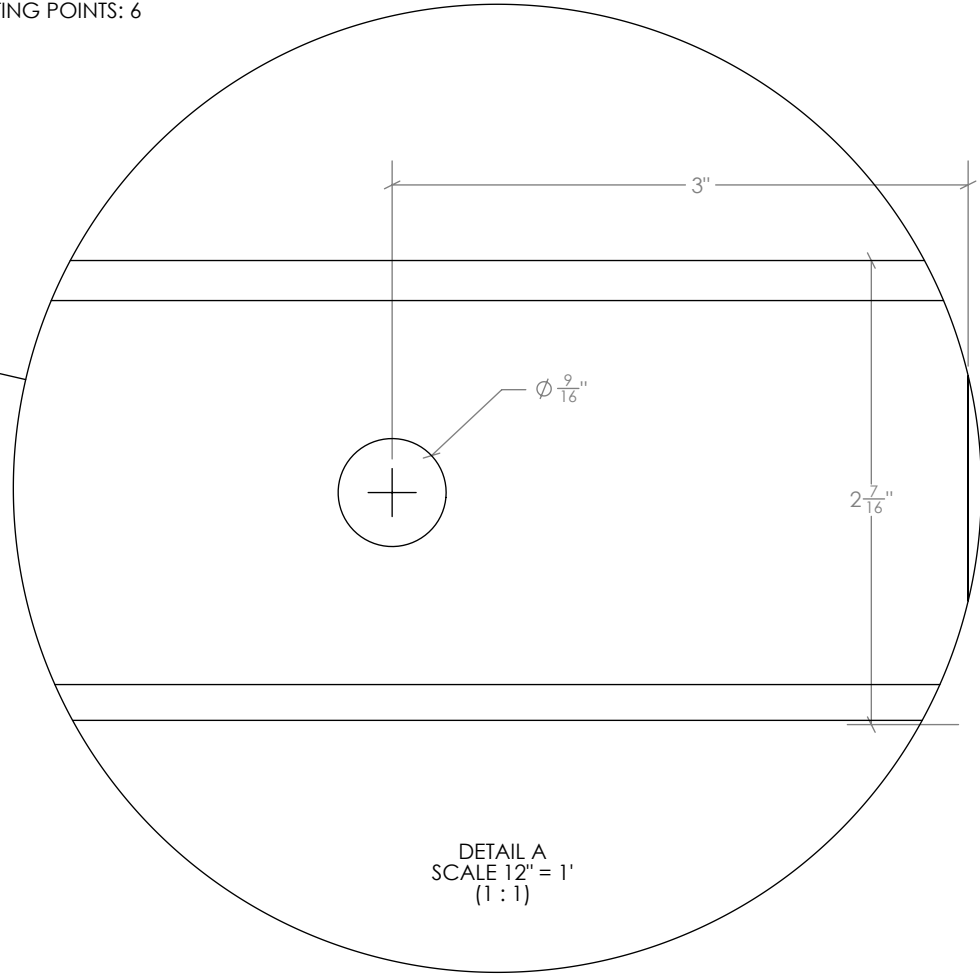
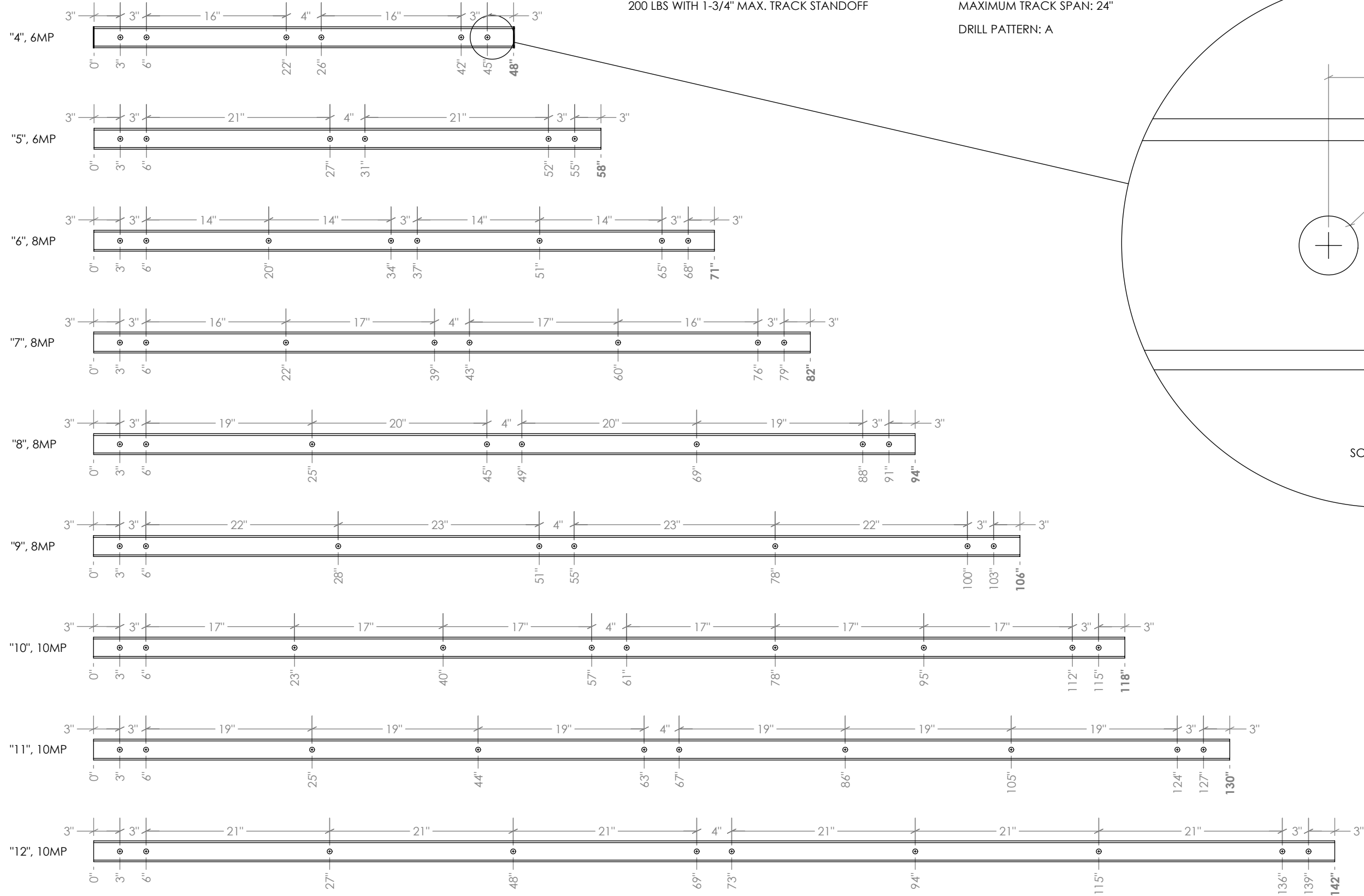
KROWNLAB  
 2351 NW York St.  
 Portland, OR 97210  
 +1 503 292 6998  
 www.krownlab.com  
 support@krownlab.com



PDX - ORE

400 LBS WITH 1" MAX. TRACK STANDOFF  
 200 LBS WITH 1-3/4" MAX. TRACK STANDOFF

MINIMUM QUANTITY MOUNTING POINTS: 6  
 MAXIMUM TRACK SPAN: 24"  
 DRILL PATTERN: A



LONGEST TRACK LENGTH WITH 6 MOUNTING POINTS: 64"  
 LONGEST TRACK LENGTH WITH 8 MOUNTING POINTS: 112"