


DOCUMENT:	PRODUCT SPECIFICATIONS - 550LB PRE-DRILLED TRACK PATTERNS
SYSTEM:	TRU-LEVEL™ TRACK
MOUNTING STYLE:	FRAMED WALL - STRUCTURAL BLOCKING

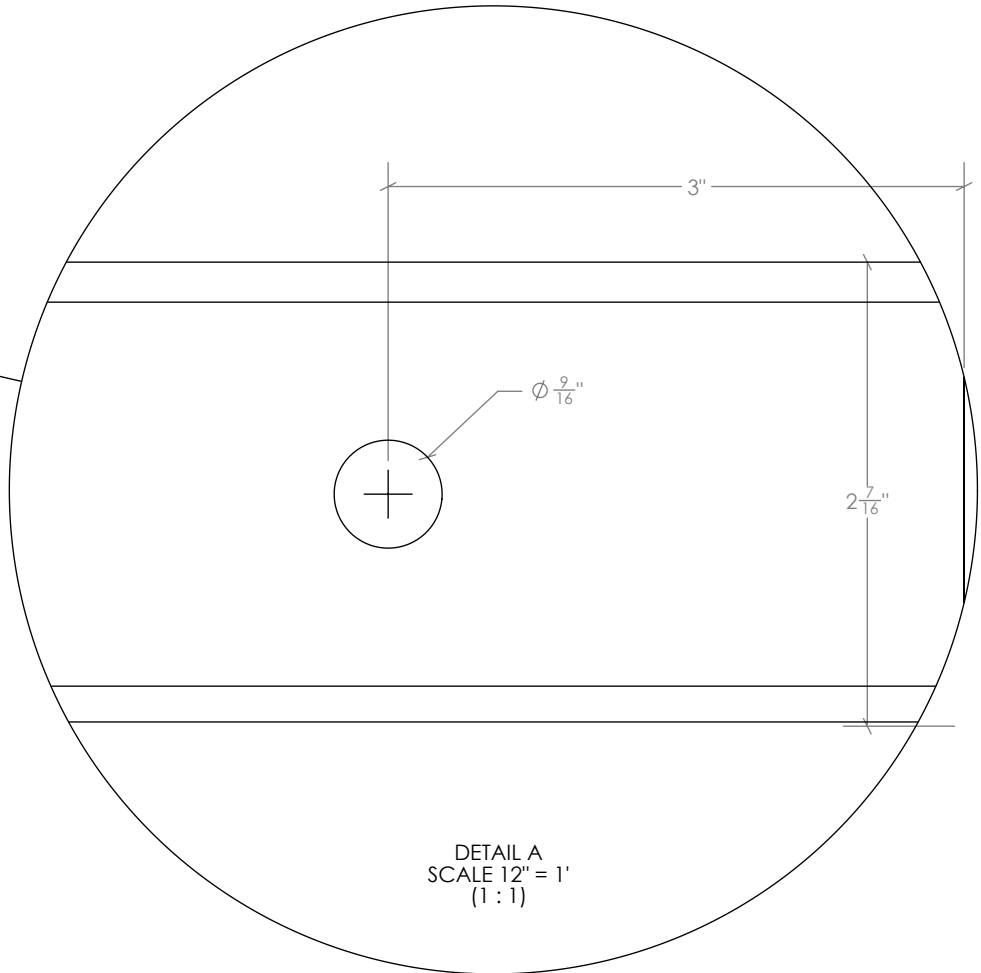
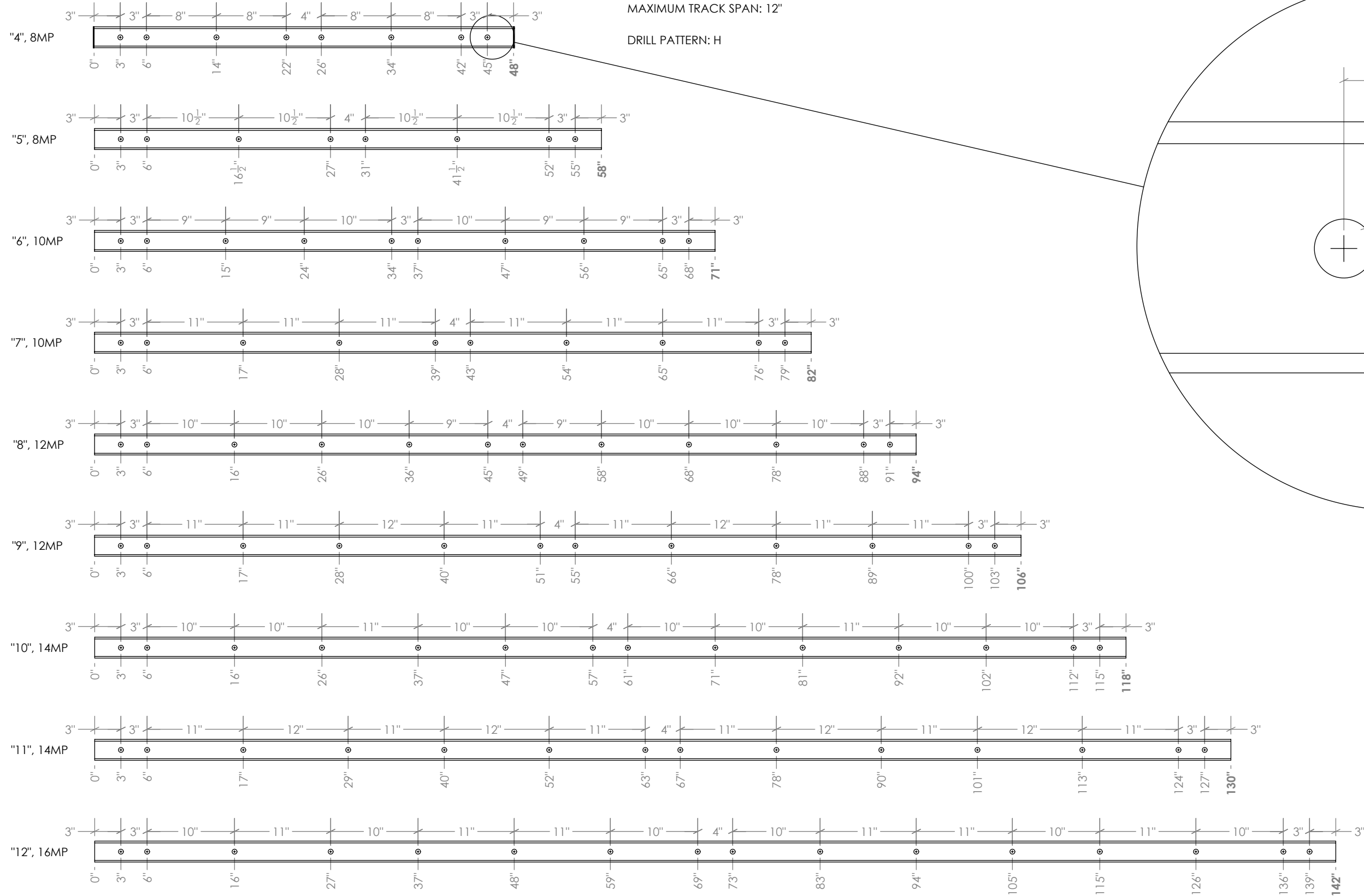
DOOR APPLICATION:	SINGLE & BI-PARTING
PANEL THICKNESS:	TROLLEY SYSTEM DEPENDENT
MAXIMUM WEIGHT:	550 LBS WITH 1" MAX. TRACK STANDOFF

DRAWING SCALE:	1" = 1'-0" (1:12)
UNITS:	INCHES
DATE:	1/15/2024

KROWNLAB
 2351 NW York St.
 Portland, OR 97210
 +1 503 292 6998
 www.krownlab.com
 support@krownlab.com



MINIMUM QUANTITY MOUNTING POINTS: 8
 MAXIMUM TRACK SPAN: 12"
 DRILL PATTERN: H



DETAIL A
 SCALE 12" = 1"
 (1 : 1)

LONGEST TRACK LENGTH WITH 8 MOUNTING POINTS: 64"
 LONGEST TRACK LENGTH WITH 10 MOUNTING POINTS: 88"
 LONGEST TRACK LENGTH WITH 12 MOUNTING POINTS: 112"
 LONGEST TRACK LENGTH WITH 14 MOUNTING POINTS: 136"